

CW MILL EQUIPMENT CO., INC.  
P.O. Box 246 • Sabetha, Kansas 66534  
(785) 284-3454 • FAX (785) 284-3601

**DMK 53 -2 Belts**  
1994-98 DODGE, D-250-350  
5.9 Cummins Diesel  
W-WO/AC, W/Intercooler  
(Serpentine)

## INSTALLATION NOTES

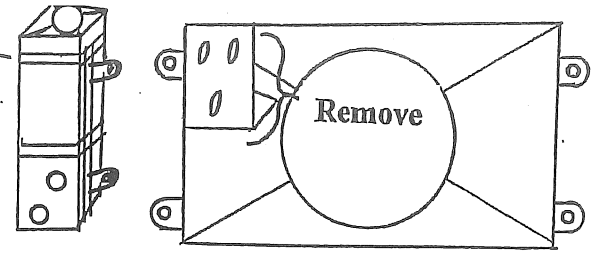
1. Disconnect battery(s), and drain approximately one gallon of anti-freeze. Remove the upper radiator hose at the radiator and the engine. Remove windshield washer bottle. Remove fan by loosening the 1 7/16" nut with the wrench provided in the kit. The nut has left hand threads. Remove the four bolts holding the fan shroud and remove it and the fan from the vehicle at the same time.
2. Remove oil fill tube from the front of the engine. Install O.E.M. oil seal from the fill tube onto hole cover (7) and install, hand tight only. Replace front valve cover with cover (4) and cap (5 & 6), reuse gasket.  
*NOTE:* When changing or adding oil, it must be done one quart at a time to allow oil to drain into the engine crankcase.
3. Remove serpentine belt. Remove fan idler pulley. Replace it with drive pulley (1), secure bolts. Install the serpentine belt making sure it is properly aligned on all pulleys. Misalignment will quickly damage belt.
4. Install bracket (8) with bolts (10, 12 & 14), tighten securely.
5. Install clutch pump with bolts provided. Align idler and clutch pump with drive pulley (1), secure pump. Install and tighten belts by using 1/2" ratchet in the square slot of the idler plate.
6. Remove the windshield washer fluid tank mounting tank from the fan shroud. Cut the angled part of the fan shroud on the upper drivers side corner so the clutch pump and new upper radiator hose will clear.
7. Install fan, fan shroud and new windshield washer tank. Secure fan.  
*IMPORTANT:* The bottom tab of the windshield washer bracket goes between the shroud and the radiator and the top tab goes on the outside of the shroud.
8. Install new upper radiator hose using the four hose clamps, 90 degree elbow with the shortest end on the radiator, the formed steel pipe and the straight hose to the engine. Secure upper radiator hose away from the clutch pump by wrapping the strap provided in the kit around the pipe and securing it to the stud on top of radiator holding wire loom. Place strap under loom.
9. Connect battery(s) and fill the washer fluid, tank and radiator. Check for leaks.

# DMK 53 -2 Belts

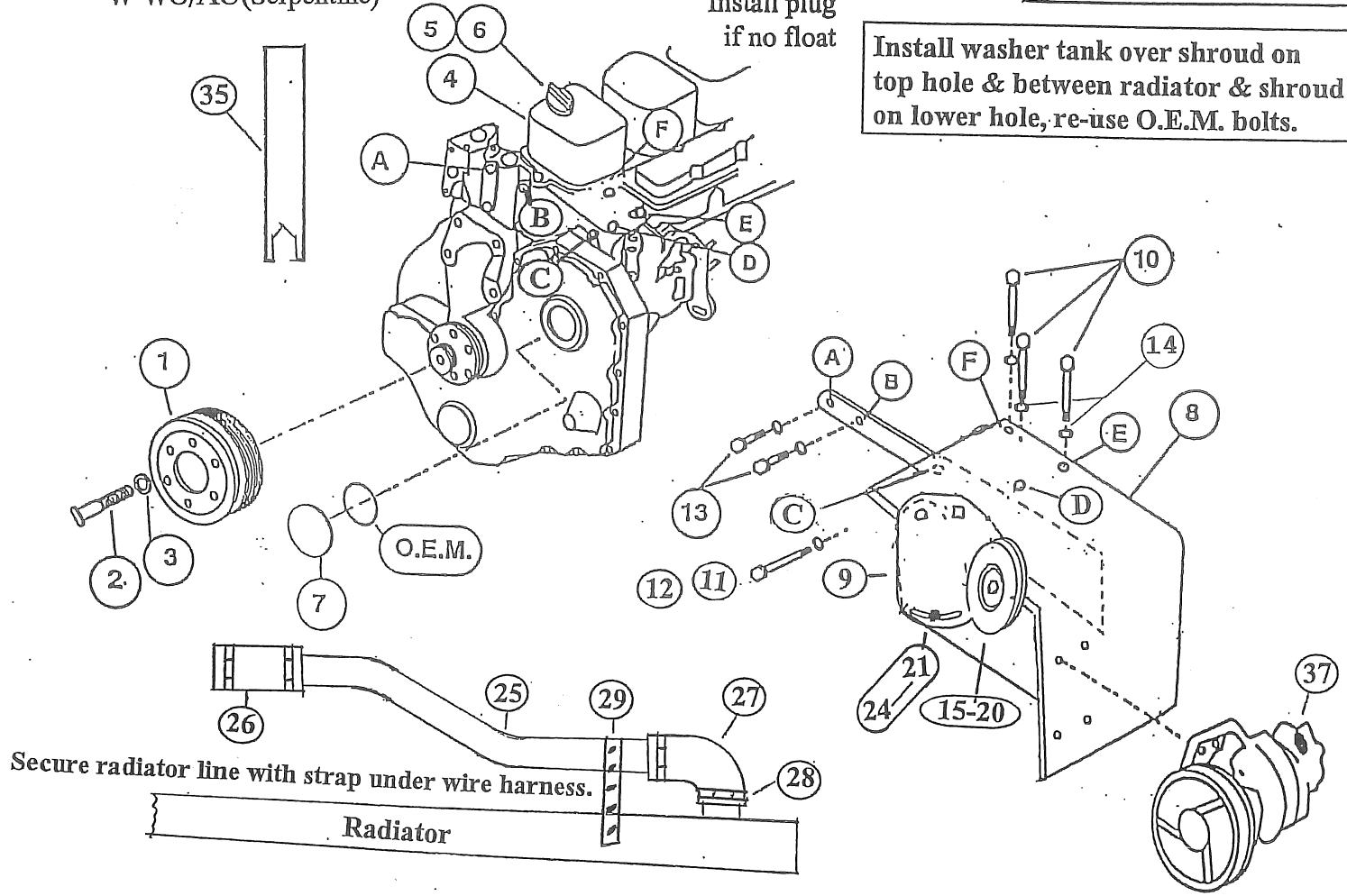
1994-98 DODGE

5.9 Cummins Diesel, W/Intercooler  
W-WO/AC (Serpentine)

Install O.E.M.  
Float  
Pump  
Install plug  
if no float



Install washer tank over shroud on top hole & between radiator & shroud on lower hole, re-use O.E.M. bolts.



## PARTS LIST

- |                          |                         |                           |
|--------------------------|-------------------------|---------------------------|
| 1. DPC 512 (1)           | 13. 8mm X 25mm 1.25 (2) | 26. D53STH (1)            |
| 2. 6mm X 16mm 1.0 (6)    | 14. 8 mm LW (2)         | 27. D5390H (1)            |
| 3. 6mm LW (6)            | 15. GPCD (1)            | 28. D5328C (4)            |
| 4. D53VC (1)             | 16. 5/8 X 2 1/2 NC (1)  | 29. D53RS (1)             |
| 5. D53FC (1)             | 17. IPW14 (5)           | 30. D53TB (1)             |
| 6. D53CS (1)             | 18. 5/8 FW (1)          | 31. D53WT (1)             |
| 7. D53HC (1)             | 19. 5/8 LW (1)          | 32. D53TC (1)             |
| 8. DMP 53 (0-4) (1)      | 20. 5/8 NC (1)          | 34. D53T18T (2)           |
| 9. DMB 530 (1)           | 21. 3/8 X 1 1/4 NC (2)  | 35. 1 7/16 Wrench (1)     |
| 10. 10 mm X 60mm 1.5 (3) | 22. 3/8 FW (1)          | 36. AX-54 (2) (Not Shown) |
| 11. 10mm X 30mm 1.5 (1)  | 23. 3/8 LW (2)          | (#2 AX-53, #4 AX-52)      |
| 12. 10mm LW (4)          | 24. 3/8 NC (2)          | 37. Clutch Pump Assembly  |
|                          | 25. D53RL (1)           | (Sold Separately)         |

NOTE: 7" Clutch #2 AX-54, #4 AX-53.