



CW MILL EQUIPMENT CO., INC.  
P.O. Box 246 • Sabetha, Kansas 66534  
(785) 284-3454 • FAX (785) 284-3601

## FMK46A-8

1999-04 FORD TRUCK F-250-550

1997-14 FORD VANE-150-450

5.4L & 6.8L Triton

W-WO/AC

**NOTE: ON 2008 AND NEWER 5.4 IT IS THE INSTALLERS RESPONSIBILITY TO PURCHASE NEW BALANCER WITH HOLES FROM FORD PART #7L3E-6316-AA**

## INSTALLATION NOTES

---

1. Disconnect the negative battery cable. On E series, remove the complete air cleaner assembly. Remove the fan and fan shroud. (Fan nut has right hand threads). Remove the O.E.M. serpentine belt and the flat idler on the passenger side of the engine. Remove the studs at locations "A & D" and install studs (5) with flatwashers (6). Torque studs to 35 ft/lbs.. Remove bolts at locations "B & C".
2. Install drive pulley (1) onto the harmonic balancer with bolts (2) and lockwashers (3). Torque bolts to 40 ft/lbs.. Install the pump into the back of bracket (4) with bolts (15), flatwashers (16) and lockwashers (17) and nuts (18). Install the coil and clutch as per manufacturers instructions. Install the pump and bracket assembly onto the studs at locations "A & D". Install bolts (7) with lockwashers (3) at locations "B & C", and nuts (8) with lockwashers (3) at locations "A & D". Tighten bolts and nuts evenly, then torque them to 35-40 ft/lbs..
3. Replace the OEM idler back to its original location. Replace the OEM belt. Install pump belt tensioner (9) with bolt (10). Install the pump belt onto the engine according to the belt diagram. Replace the fan and fan shroud. Check for proper clearances between the fan and the clutch pump. Replace the air cleaner assembly if removed and connect the battery cable.

**CAUTION:** Check all engine compartment hoses and wiring to insure they are not kinked, touching any high temperature item, or do not interfere with any linkage components.

**NOTE:** Due to OEM assembly tolerances, visually make certain that there is adequate clearance between fan and drive pulley.

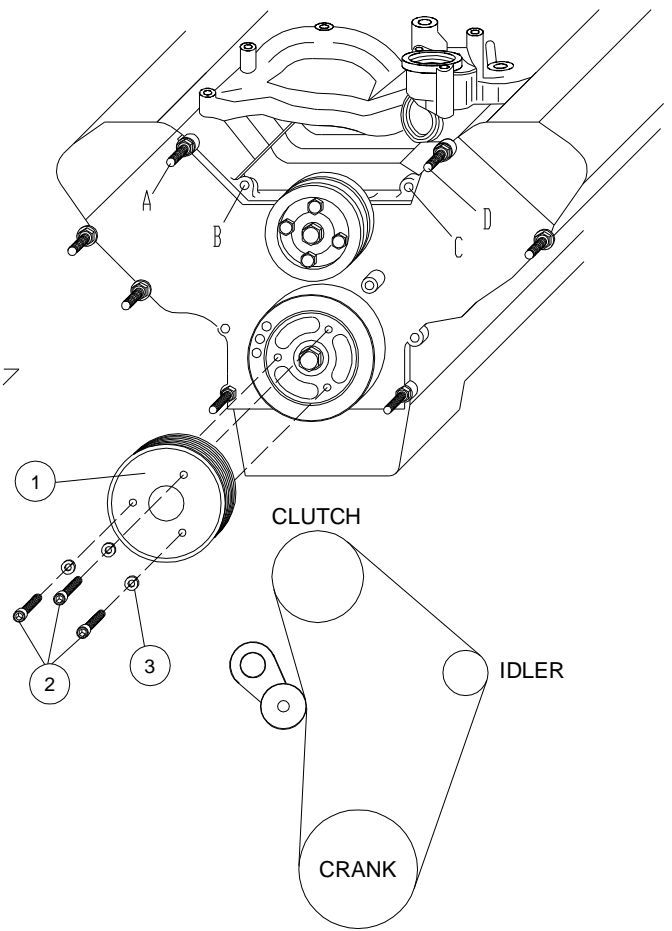
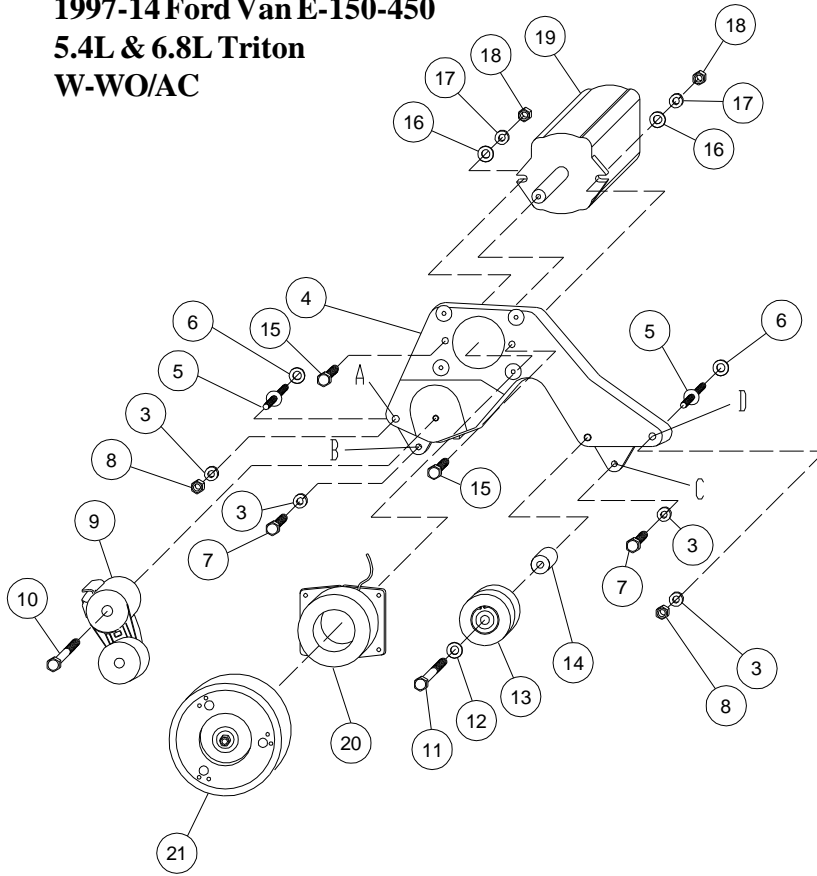
# FMK46A-8

1999-04 Ford Truck F-250-550

1997-14 Ford Van E-150-450

5.4L & 6.8L Triton

W-WO/AC



## PARTS LIST

- |                          |   |
|--------------------------|---|
| 1. FPC 368 (1)           | 13. GPCD 8 (1)                                      |
| 2. 10mm x 60mm (3)       | 14. FMB 391 Bushing (1)                             |
| 3. 10mm LW (7)           | 15. 3/8 x 1 1/2 NC (2)                              |
| 4. FMB 460A (1)          | 16. 3/8 FW (2)                                      |
| 5. 10107 1.5 ST (2)      | 17. 3/8 LW (2)                                      |
| 6. .080 shim (2)         | 18. 3/8 NC Nut (2)                                  |
| 7. 10mm x 60mm 10.9 (2)  | 19. Clutch Pump Assembly ( <i>Sold Separately</i> ) |
| 8. 10mm nut (2)          | 20. Coil ( <i>Sold Separately</i> )                 |
| 9. 8920236 Tensioner (1) | 21. Clutch ( <i>Sold Separately</i> )               |
| 10. 12mm x 80mm (1)      | 22. (5080595) Dayco Belt (not shown)                |
| 11. 12mm x 65mm (1)      |   |
| 12. 12mm FW              |   |