



IMK64-8
2008-2016 International Dura Star
2011-2016 Terra Star
MaxxForce 7 / 6.4L
W - W/O A/C
W/O Air Compressor

INSTALLATION NOTES

1. Disconnect the negative battery cable. Install drive pulley (1) onto the engine damper with bolts (2) and lock washers (3). Torque bolts to 35 ft. lbs.
2. Remove engine lifting lug from the front of the driver's side cylinder head.
3. Install pump bracket (4) with bolts (5) and lock washers (3). Torque to 35 ft. lbs.
4. Install pump with bolts provided. Make sure pump is aligned with the drive pulley. Tighten bolts securely.
5. Install idlers (9) using bolts (11), flat washers (10) and idler spacers (8). Install belt tensioned (6) using bolt (7). Install the belt (19) as shown in the diagram on the back of this sheet. Reconnect the battery cable.

NOTE: Run engine and check for proper belt tracking. Realign the pump if necessary.

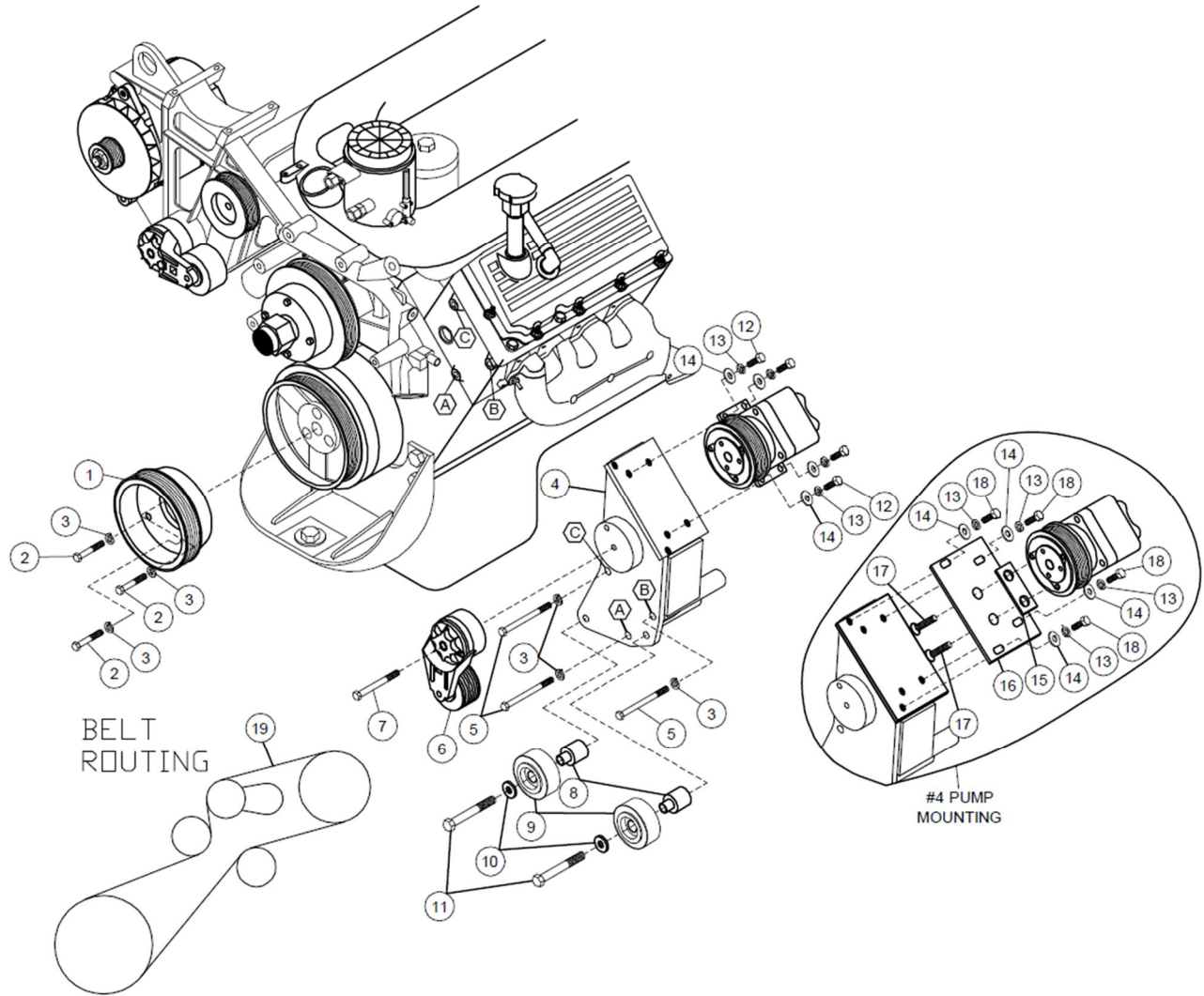
IMK64-8

2008-2016 International Dura Star

2011-2016 Terra Star

MAXXFORCE 7 / 6.4L

W-W/O AC W/O Air Compressor



PARTS LIST

1. FPC 2608 (1)
2. 10mm x 50mm Bolts (3)
3. 10mm LW (6)
4. IMP 642 (1)
5. 10mm x 150mm (3)
6. 89438-53 Tensioner (1)
7. 10mm x 80mm Flange Bolt (1)
8. IMB641 (2)
9. 89016 Idler (2)
10. 12mm FW (2)
11. 12mm x 75mm Bolt (2)

ITMES 12-14 PUMP BOLTS FOR IMK642-8

12. 3/8 x 1-1/2 (4)
13. 3/8 LW (4)
14. 3/8 FW (4)

ITMES 13-19 PUMP BOLTS FOR IMK644-8

13. 3/8 LW (4)
14. 3/8 FW (4)
15. 1/4" Pump Tab (1)
16. IMP 634 (1)
17. 1/2 x 1-3/4 FHSCS (2)
18. 3/8 x 1 (4)
19. #1-5080685, #2-5080670, #4-5080660 Dayco
With 5-1/2" Clutch