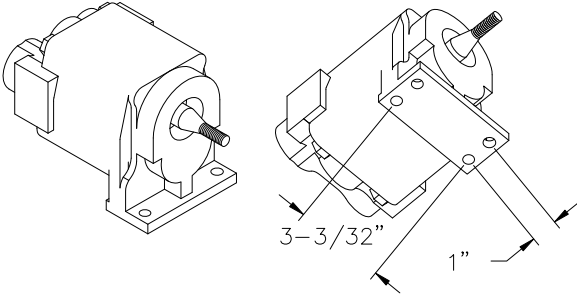
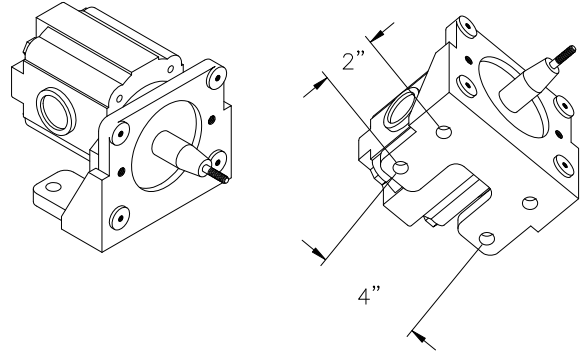


PUMP FINDER PUMP DESIGNATION SHEET

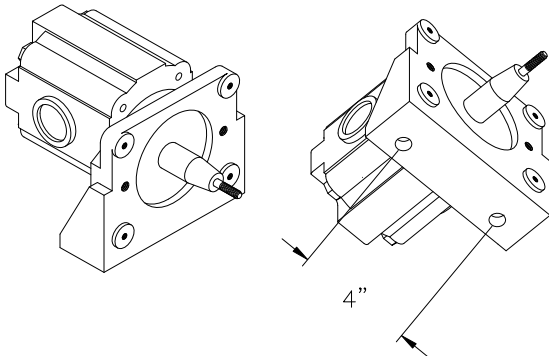
#1 PUMP (MUNCIE)



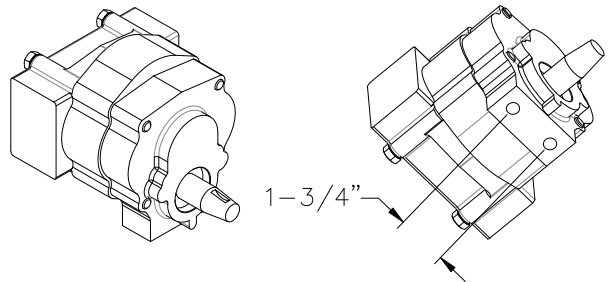
**#2 PUMP (COMMERCIAL)
TYPE 1**



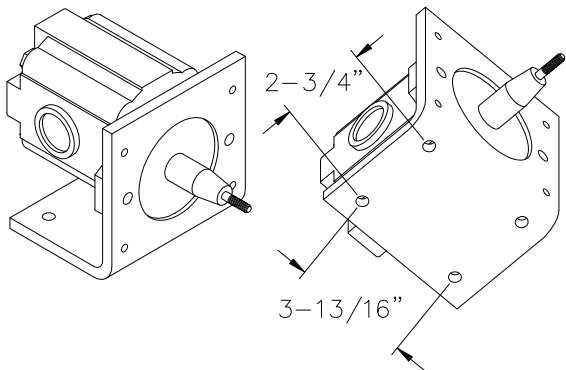
**#2 PUMP (COMMERCIAL)
TYPE 2**



#4 PUMP (TYRONE)



#8 PUMP (WEBSTER)



**A-MOUNT
(SAE TWO BOLT A FLANGE)**

