



**VFLMK23A-6**  
**2007-17 Freightliner, Dodge Van**  
**2500 & 3500**  
**3.0L Mercedes-Benz V-6 Diesel**

## INSTALLATION NOTES

---

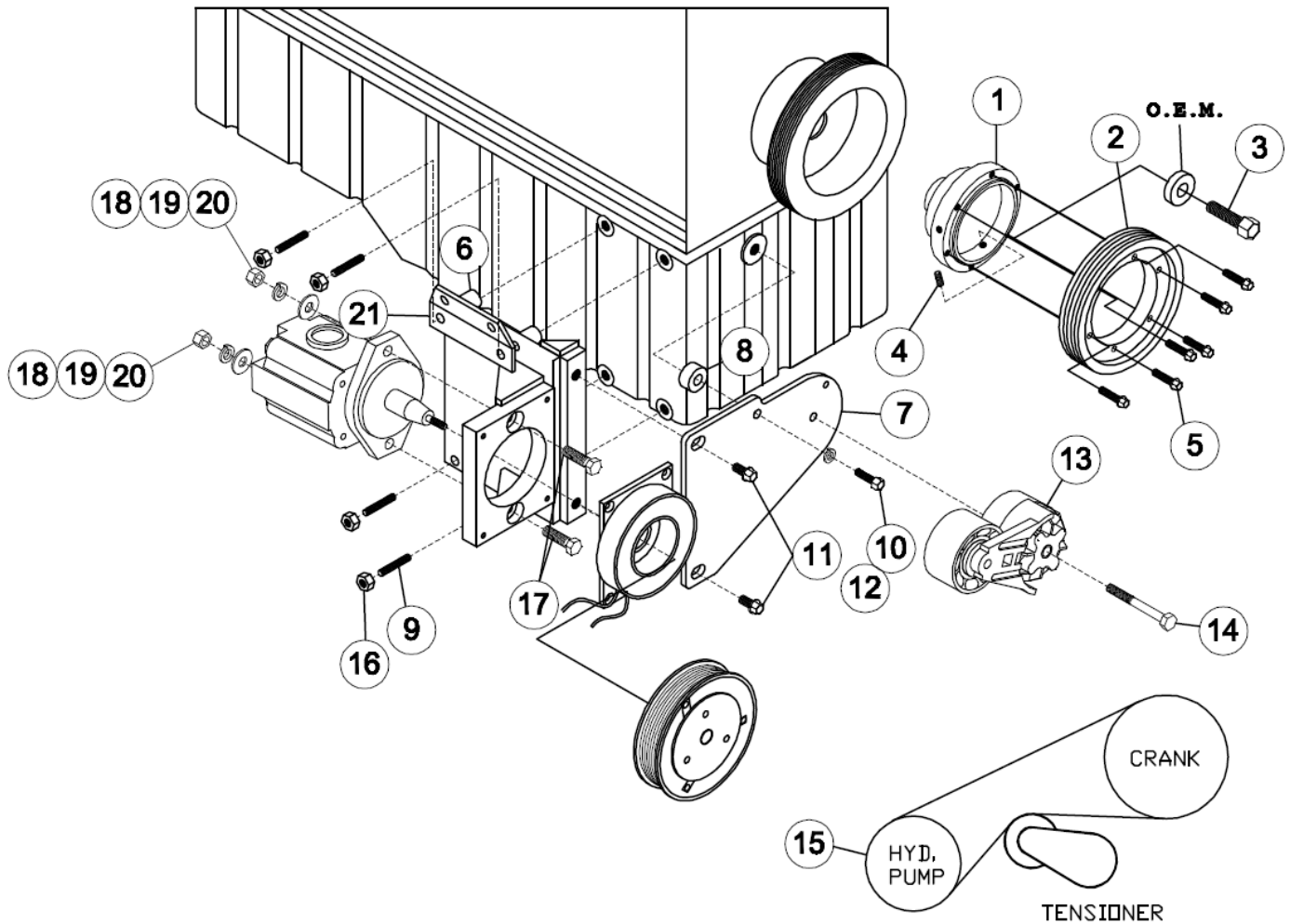
1. Remove air cleaner assembly. Remove the fan and fan shroud. Remove harmonic balancer bolt using wrench (part number- VFLWR-1 sold separately) (bolt has right hand threads).
2. Install pulley adapter (1) using bolt (3), O.E.M. spacer, and set screws (4). Install pulley (2) onto adapter (1) using bolts (5). Torque harmonic balancer bolt to 280 ft/lbs using wrench (part number- VFLWR-2 sold separately). Cross torque set screws at 10 in/lbs, 5 ft/lbs, 15 ft/lbs, and then 25 ft/lbs. Install main bracket (6) and brace (21) with studs (9) and nuts (16). Install front brace (7) using bolts (11, 12), lock washer (10), and spacer (8). Install belt tensioner (13) using bolt (14).
3. Install hydraulic pump using bolts (17), flat washers (20), lock washers (19) and nuts (18). Install clutch and coil per manufactures instructions. Install new drive belt (15). Install fan spacer (22), fan, and fan shroud. Fan shroud will need to be trimmed for clearance with the drive belt and tensioner. Run the engine and check for proper belt alignment, tracking, and clearances.

# VFLMK23A-6

2007-17 Freightliner, Dodge Van

2500 & 3500

3.0L Mercedes-Benz V-6 Diesel



## PARTS LIST

- |                                |                                  |                            |
|--------------------------------|----------------------------------|----------------------------|
| 1. VFLPA 23 (1)                | 8. SP125-0.500 (1)               | 15. 5060490 Dayco Belt (1) |
| 2. VFLPC 236 (1)               | 9. 8mm x 50mm Stud (4)           | 16. 8mm Flange Nut (4)     |
| 3. 18mm x 110mm x 1.5 Bolt (1) | 10. 8mm Lock washer (1)          | 17. 3/8 x 1-1/2 Bolt (2)   |
| 4. 8mm x 20mm set screw (3)    | 11. 10mm x 20mm Flanged Bolt (2) | 18. 3/8 NC Nut (2)         |
| 5. 8mm x 30mm Flange Bolt (6)  | 12. 8mm 35mm Bolt (1)            | 19. 3/8 Lock washer (2)    |
| 6. VFLMP 23A (1)               | 13. 89200D Tensioner (1)         | 20. 3/8 Flat washer (2)    |
| 7. VFLMB 231 (1)               | 14. 10mm x 75mm Bolt (1)         | 21. VFLMB232 (1)           |
|                                |                                  | 22. FSK38 Fan Spacer (1)   |