



CW MILL EQUIPMENT CO., INC.
P.O. Box 246 • Sabetha, Kansas 66534
(785) 284-3454 • FAX (785) 284-3601

VFLMK 23A-6
2007-09 Freightliner, Dodge Van
2500 & 3500
3.0L Mercedes-Benz V-6 Diesel

INSTALLATION NOTES

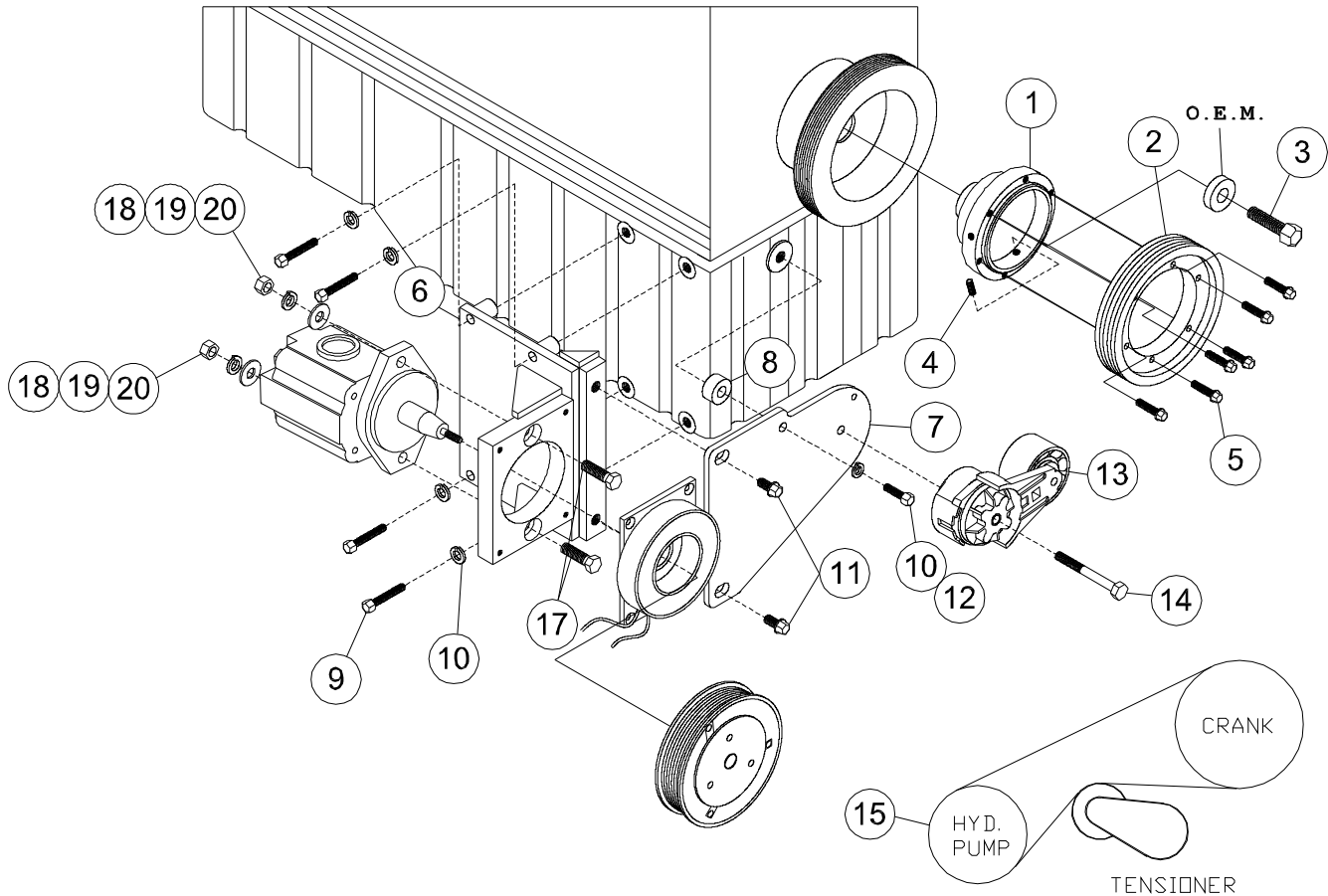
1. Remove air cleaner assembly. Remove the fan and fan shroud. Remove harmonic balancer bolt using wrench (pn. VFLWR-1 sold separately)(bolt has right hand threads).
2. Install pulley adapter(1) using bolt(3), O.E.M. spacer, and set screws(4). Install pulley (2) onto adapter (1) using bolts (5). Torque harmonic balancer bolt to 280 ft/lbs using wrench (pn. VFLWR-2 sold separately). Cross torque set screws at 10 in/lbs, 5 ft/lbs, 15 ft/lbs, and then 25 ft/lbs. Install main bracket(6) with bolts(9) and lockwashers(10). Install front brace (7) using bolts(11,12), lockwasher(10), and spacer(8). Install belt tensioner(13) using bolt(14).
3. Install hydraulic pump using bolts(17), flatwashers (20), lockwashers (19) and nuts(18). Install clutch and coil per manufactures instructions. Install new drive belt(15). Install fan spacer(16), fan, and fan shroud. Fan shroud will need to be trimmed for clearance with the drive belt and tensioner. Run the engine and check for proper belt alignment, tracking, and clearances.

VFLMK 23A-6

2007-09 Freightliner, Dodge Van

2500 & 3500

3.0L Mercedes-Benz V-6 Deisel



PARTS LIST

- | | | |
|--------------------------------|----------------------------------|----------------------------|
| 1. VFLPA 23 (1) | 8. SP125-0.500 (1) | 15. 5060490 Dayco Belt (1) |
| 2. VFLPC 236 (1) | 9. 8mm x 45mm Bolt (4) | 16. FSK 38 Fan Spacer (1) |
| 3. 18mm x 110mm x 1.5 Bolt (1) | 10. 8mm Lockwasher (5) | 17. 3/8 x 1-1/2 Bolt (2) |
| 4. 8mm x 20mm set screw (3) | 11. 10mm x 20mm Flanged Bolt (2) | 18. 3/8 NC Nut (2) |
| 5. 8mm x 30mm Flange Bolt (6) | 12. 8mm 35mm Bolt (1) | 19. 3/8 Lockwasher (2) |
| 6. VFLMP 23A (1) | 13. 89200D Tensioner (1) | 20. 3/8 Flatwasher (2) |
| 7. VFLMB 231 (1) | 14. 10mm x 75mm Bolt (1) | |