



## FMK240SD508-8

YEAR: 2017

MAKE: FORD

MODEL: F450-550 CAB CHASSIS

ENGINE: 6.8L V10 3 Valve

OPTIONS: W-W/O AC

### INSTALLATION NOTES

1. Be sure to read and understand all available information including but not limited to instructions, warnings, sale terms, and warranties for the vehicle and all system components prior to attempting installation.
2. Disconnect negative battery cable. Drain the cooling system completely. Remove the fan and the fan shroud. (It is not necessary to remove the upper radiator hose, but it does make it easier to remove the fan shroud.)
3. Install the drive pulley with three 10x55mm bolts.
4. Disconnect the hoses from the radiator reservoir and remove the (3) bolts holding it in place. Install the main reservoir bracket with two 8mm x 12mm flange bolts. Install the reservoir brace over the ground wire located on the fender. Do not tighten at this time. Install the reservoir onto the main bracket as shown in the picture. Attach it to the brace on the fender with an OEM bolt and 8mm flange nut included in the kit. Install the 1" hose extension with clamps provided. The quick disconnect will need to have the plastic hose clamp removed in order to rotate the hose as shown. Replace the 3/8 hose with the one included in the kit and secure it with the loom clamp provided.
5. Remove the nut and the radio noise suppressor from the upper timing cover stud on the left side of the engine. Check OEM studs for proper torque. Install the clutch pump bracket with the three shoulder nuts provided. The longer nut goes in the lowest mounting hole. Tighten securely. Install the brace with the 8mm X 30mm flange bolt and 8mm X 20mm flange bolt. Bolt radio noise suppressor to the top of the bracket with the 8mm X 12mm flange bolt.
6. Add the 3/4 hose extension to the power steering reservoir to help keep the P/S hose away from the pump belt.
7. Install idlers and tensioner onto the bracket. Install compressor onto the bracket. Install the belt and route it as shown.
8. Install fan spacer onto the water pump. Replace the fan and fan shroud. (Connect upper radiator hose if removed and replace coolant.) Run engine and check for proper belt tracking.
9. Make certain all hoses or wires are properly secured away from any moving or hot parts.



**FMK240SD508-8**

YEAR: 2017

MAKE: FORD

MODEL: F450-550 CAB CHASSIS

ENGINE: 6.8L V10 3 Valve

OPTIONS: W-W/O AC

**MOUNTING KIT PARTS LIST**

ITEM #	DESCRIPTION	QTY.
1	FMB240A-1	1
2	FMB240-2	1
3	10X55MM SHCS	3
4	SHOULDER NUT SHORT	2
5	SHOULDER NUT LONG	1
6	8X30MM FLG BOLT	1
7	8X20MM FLG BOLT	1
8	8X12MM FLG BOLT	1
9	89016	2
10	FMB531	2
11	10X50MM FLG BOLT	2
12	89446-8	1
13	10X75MM BOLT	1
14	5080780	1
15	FSK6.8B	1
16	FPC368	1
17	10X30MM FLG BOLT	2
18	10X40MM FLG BOLT	2
19	10MM FLG NUT	2
20	3/4 DBL END HOSE BARB	1
21	3" 3/4 OIL HOSE	1
22	#12 HOSE CLAMP	2

**RESERVOIR RELOCATION PARTS LIST**

ITEM #	DESCRIPTION	QTY.
1	FMB241	1
2	FMB242	1
3	8X30MM FLG BOLT	1
4	8X12MM FLG BOLT	2
5	8MM FLG NUT	3
6	6X30MM FLG BOLT	1
7	6X12MM FLG BOLT	1
8	1" HEATER HOSE	10"
9	3/8 HEATER HOSE	36"
10	#10 ADEL CLAMP	1
11	#24 ADEL CLAMP	1
12	#4 HOSE CLAMP	2
13	#16 HOSE CLAMP	2
14	#20 HOSE CLAMP	1
15	1" DBL HOSE BARB	1

# EW Mounting Kits

**FMK240SD508-8**

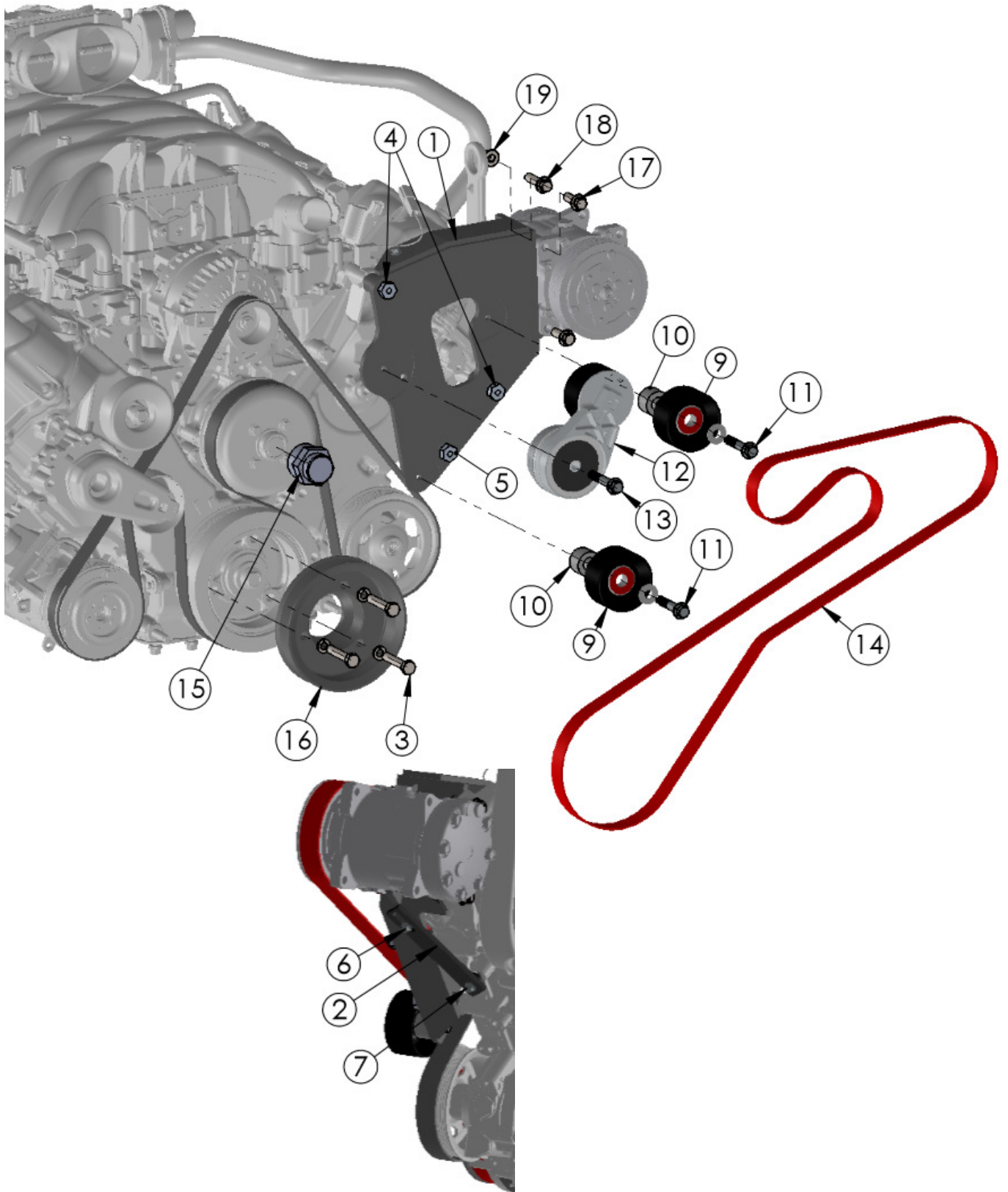
YEAR: 2017

MAKE: FORD

MODEL: F450-550 CAB CHASSIS

ENGINE: 6.8L V10 3 Valve

OPTIONS: W-W/O AC



YEAR: 2017

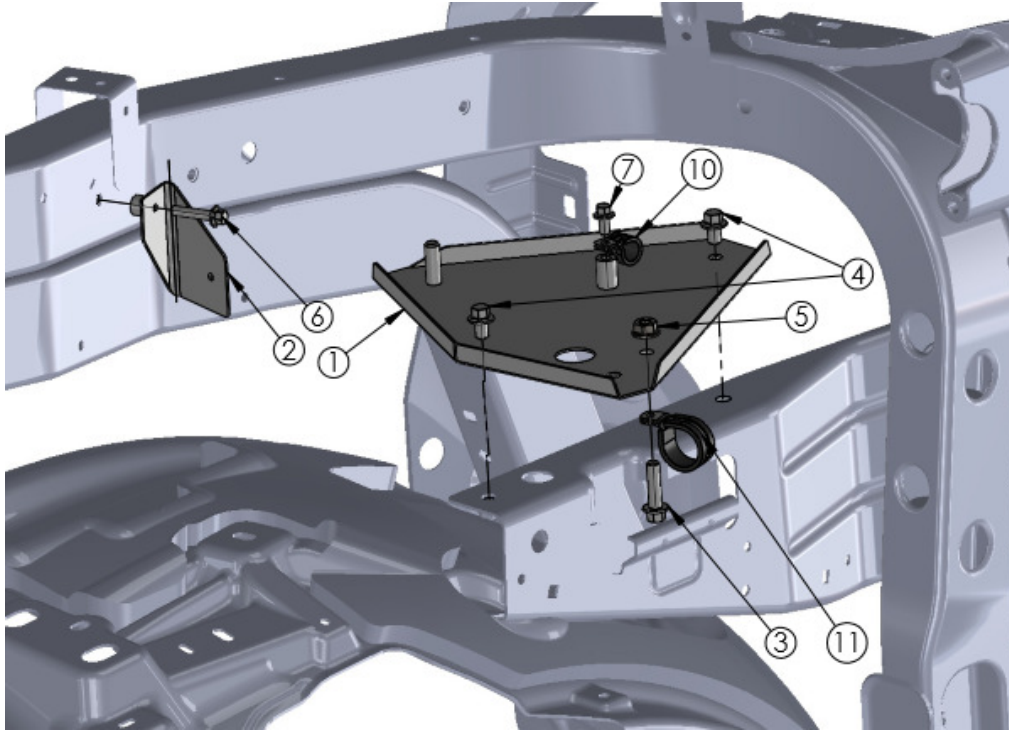
MAKE: FORD

MODEL: F450-550 CAB CHASSIS

ENGINE: 6.8L V10 3 Valve

OPTIONS: W-W/O AC

### RESERVOIR RELOCATION DETAIL



# EW

## Mounting Kits

**FMK240SD508-8**

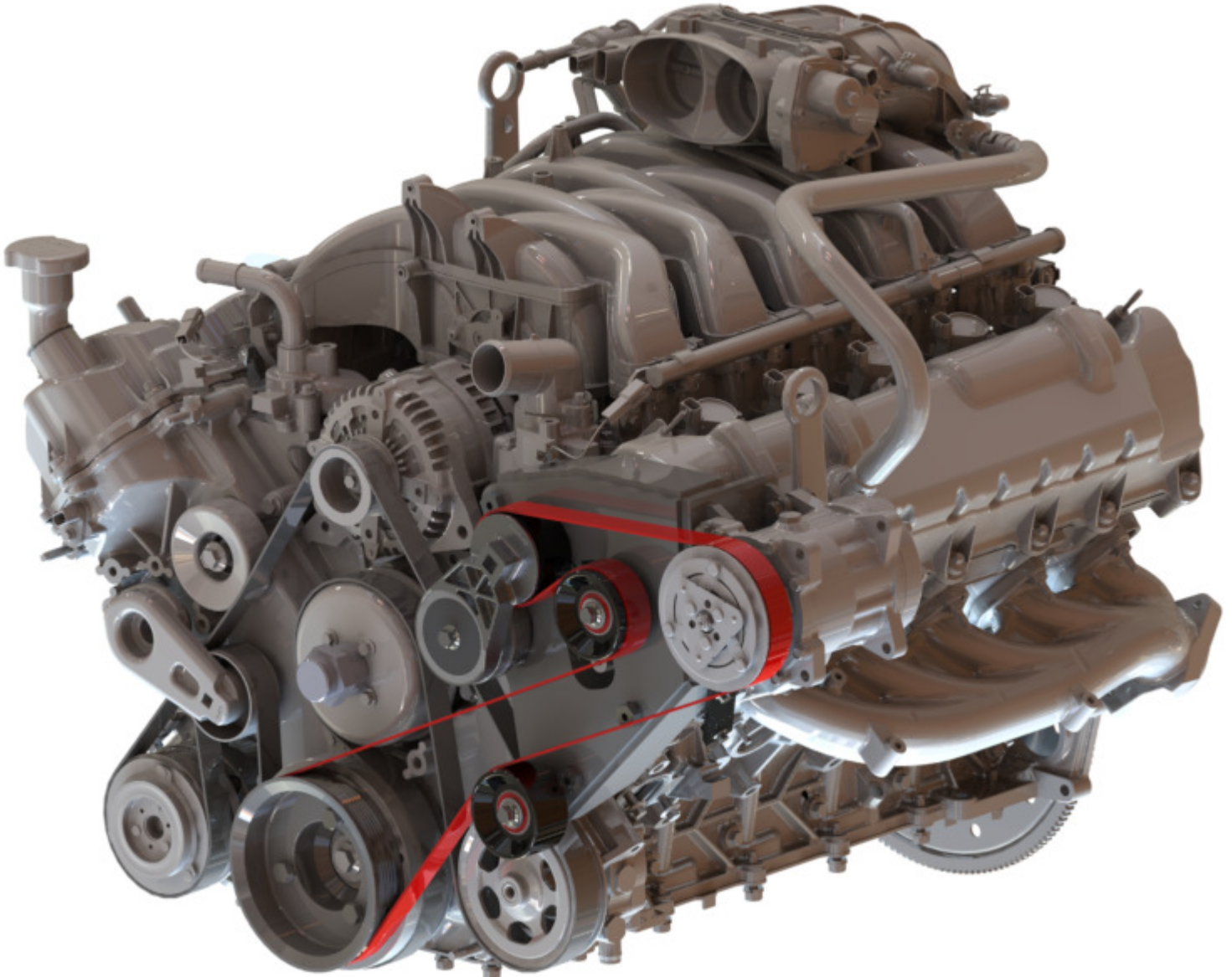
YEAR: 2017

MAKE: FORD

MODEL: F450-550 CAB CHASSIS

ENGINE: 6.8L V10 3 Valve

OPTIONS: W-W/O AC



Disclaimer: (1.) Due to the custom nature and variation of all add-on systems of this type, no complete system kits are offered by the manufacturer, and any group of parts marketed as a kit is limited to only the individually defined parts in that specific kit. The system designer's rotating accessory components are not included, offered, or fully known by the manufacturer. In addition to the absence of the rotating accessory system, other potential components such as additional clamps, brackets, wear liners, hardware, or other items that may be required by the system designer must be identified and supplied by the actual system designer. (2.) Due to vehicle manufacturer's assembly tolerances, production changes, and installation variances, it is the buyer's responsibility to insure adequate clearance for all components including space for and safe location of the fan, radiator, all lines, and wires. Check for possible movement, vibration, friction points, heat exposure and/or shifting of any and all components such as hoses, wires, and all other components including those that may otherwise be considered non-moving and/or unaffected by the installation (3.) The buyer is responsible for the entire installation of a mounting kit as the mounting kit as the mounting kit is part of a custom process controlled by the buyer through their whole system design and directed installer as the installer evaluates, locates, routes, aligns, and tightens all components while determining if additional clamps, brackets, wear-liners, or other components may be required, beyond those included in the kit. Any additional items required, beyond those included in the kit, are to be provided at the expense of the buyer. (4.) the buyer is responsible for the development and communication of their whole system installation procedures, safety precautions, application, and use of the engine accessory mounting kit in their system, including efforts to maintain vehicle control and prevent pinch, wear, impact, and/or burn exposure on all hoses, wires, and other parts. (5.) The buyer is responsible for providing trained and experienced installation decision making with technical know-how to apply professional judgment that specifically applies to each individual installation. The buyers chosen installers must be qualified and experienced technicians that are familiar with the vehicle and accessory being mounted as well as the buyer's whole system design and installation procedures associated with the kit. (6.) The buyer is responsible for determining and achieving compliance to all regulatory issues that apply to the use of all products. (7.) The manufacturer reserves the right to make changes and/or improvements to any product at any time with or without notice.