



CW MILL EQUIPMENT CO., INC.  
P.O. Box 246 • Sabetha, Kansas 66534  
(785) 284-3454 • FAX (785) 284-3601

**VFLMK 23SD508-6**  
2007-17 Freightliner, Dodge Van  
2500 & 3500  
3.0L Mercedes-Benz V-6 Diesel

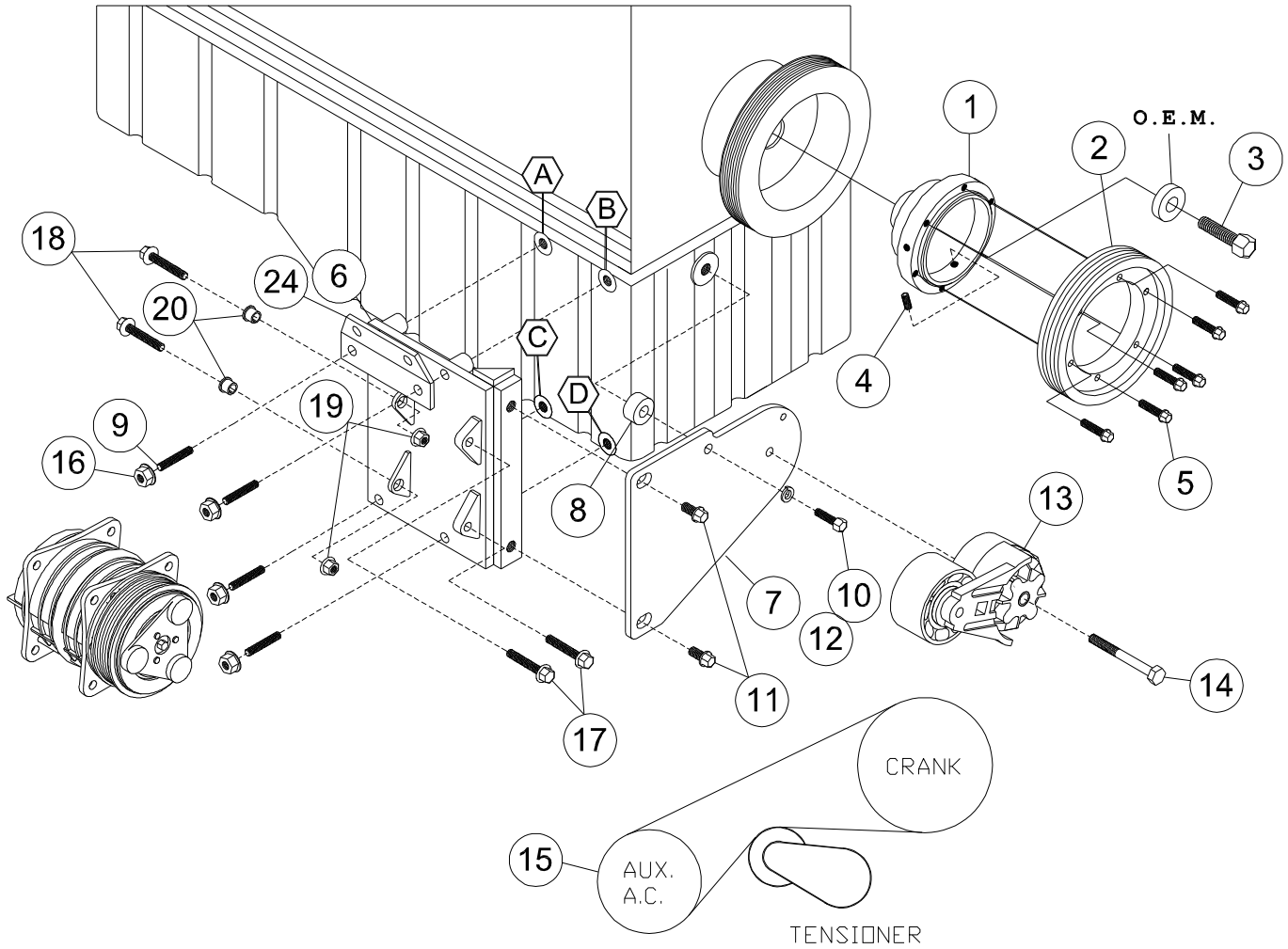
## INSTALLATION NOTES

---

1. Remove air cleaner assembly. Remove the fan and fan shroud. Remove harmonic balancer bolt using wrench (pn. VFLWR-1 sold seperately)(bolt has right hand threads).
2. Install pulley adapter(1) using bolt(3), O.E.M. spacer, and set screws(4). Install pulley (2) onto adapter (1) using bolts (5). Torque harmonic balancer bolt to 280 ft/lbs using wrench (pn. VFLWR-2 sold seperately). Cross torque set screws at 10 in/lbs, 5 ft/lbs, 15 ft/lbs, and then 25 ft/lbs. Install studs (9) with red locktight and torque to 5 ft.lbs.. Install main bracket (6) with nuts (16) at locations "A" and "B". Check for gap at locations "C" and "D" with feelers gauge. Remove bracket (6) and install appropriate shims (22,23) on studs at locations "C" and "D". Reinstall main bracket (6) using nuts (16) and brace (24). Install front brace (7) using bolts(11,12), lockwasher(10), and spacer(8). Install belt tensioner(13) using bolt(14).
3. Install A.C. compressor using slide bushings(20), bolts(17,18), and nuts(19). Install new drive belt(15). Install fan spacer(21), fan, and fan shroud. Fan shroud will need to be trimmed for clearance with the drive belt and tensioner. Run the engine and check for proper belt alignment, tracking, and clearances.

## VFLMK 23SD508-6

2007-17 Freightliner, Dodge Van  
2500 & 3500  
3.0L Mercedes-Benz V-6 Deisel



### PARTS LIST

- |                                |                                  |                                 |
|--------------------------------|----------------------------------|---------------------------------|
| 1. VFLPA 23 (1)                | 9. 8mm x 80mm Stud (4)           | 17. 10mm x 30mm Flange Bolt (2) |
| 2. VFLPC 236 (1)               | 10. 8mm LW (1)                   | 18. 10mm x 40mm Flange Bolt (2) |
| 3. 18mm x 110mm x 1.5 Bolt (1) | 11. 10mm x 20mm Flanged Bolt (2) | 19. 10mm x 1.5 Flanged Nut (2)  |
| 4. 8mm x 20mm set screw (3)    | 12. 8mm 35mm Bolt (1)            | 20. 1255-0090 Slide Bushing (2) |
| 5. 8mm x 30mm Flange Bolt (6)  | 13. 89200D Tensioner (1)         | 21. FSK 38 Fan Spacer (1)       |
| 6. VFLMP 23SD508 (1)           | 14. 10mm x 75mm Bolt (1)         | 22. .005" Shim (2)              |
| 7. VFLMB 231 (1)               | 15. 5060470 Dayco Belt (1)       | 23. .010" Shim (2)              |
| 8. SP125-0.500 (1)             | 16. 8mm Flange Nut (4)           | 24. VFLMB232 (1)                |