



CW MILL EQUIPMENT CO., INC.
P.O. Box 246 • Sabetha, Kansas 66534
(785) 284-3454 • FAX (785) 284-3601

CMK 38-I6 Belts

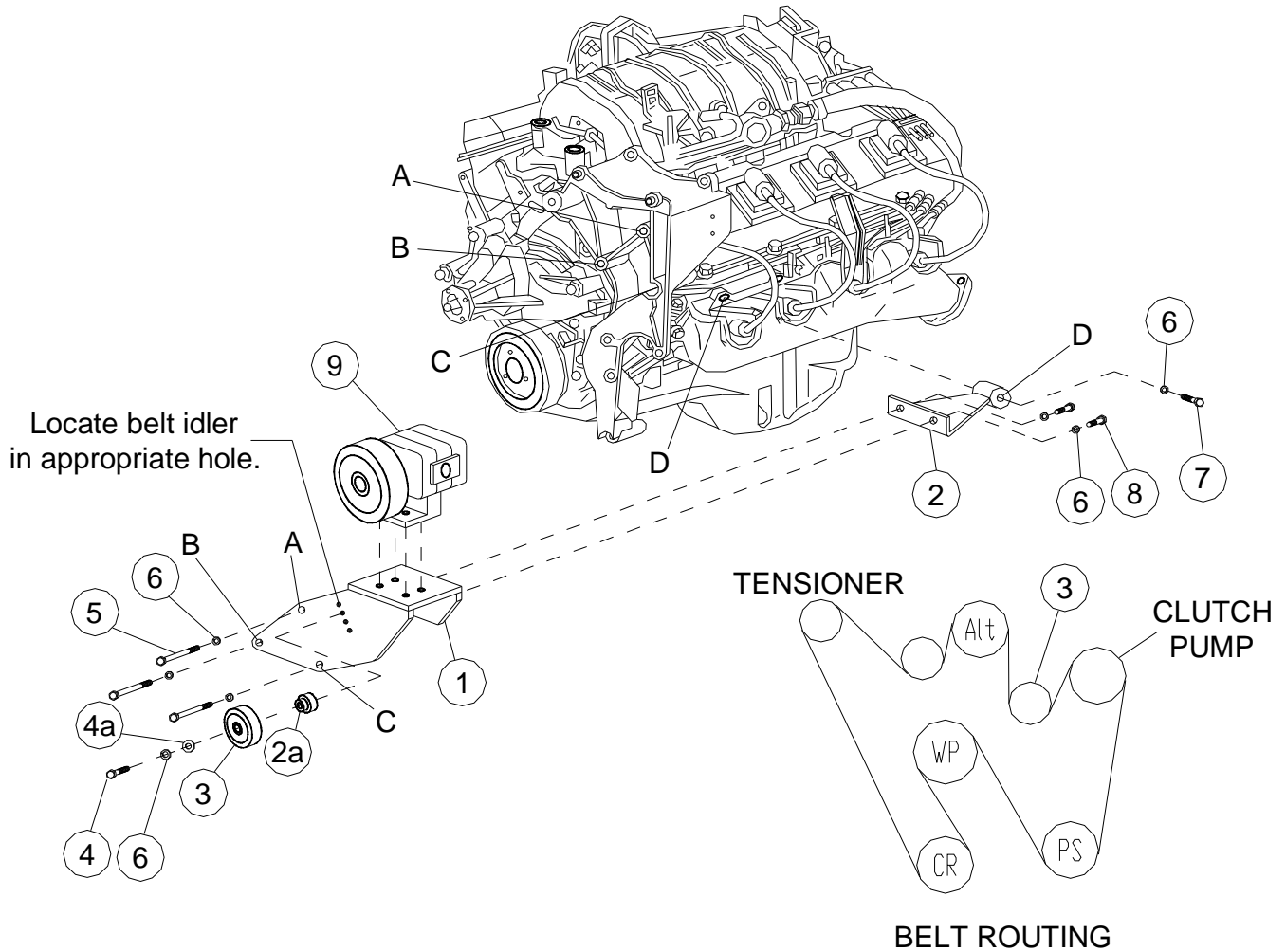
1999-10 Chevy Silverado
2000-2013 Suburban Tahoe
4.8, 5.3, 6.0
W-WO/AC

INSTALLATION NOTES

1. Disconnect negative battery cable. Remove the top half of the fan shroud and the fan. (*Fan nut is right hand threads*). It's not necessary to remove the fan and fan shroud, but makes installation easier. Remove O.E.M. belt. Remove the hot wire from the back of the alternator, and the bracket that holds the wire connector to the alternator bracket.
2. Remove the three bolts holding the alternator bracket to the engine. Install the pump bracket (1) using those three hole locations on the alternator bracket with three 10mm x 140mm bolts (5) and lock-washers (6). (Do not tighten). Install pump bracket brace (2) to the back of the pump bracket using two 10mm x 25mm bolts (8) and lockwashers (6) and one 10mm x 60mm bolt (7) and lockwasher (6) at location D. Once all the bolts are in place and finger tight, tighten the front three bolts securely first and then the brace bolts.
3. Install the pump (9) onto the pump bracket and align the clutch pulley with the O.E.M. pulley. **NOTE:** The clutch pump pulley will run very close to the front of the pump bracket when properly aligned. Install the flat idler (3) into the lower tapped hole on the front of the bracket. If the belt is too short to install, move the idler to the upper tapped hole in the bracket.
4. Replace the fan and top half of the fan shroud if removed. Connect the alternator wire. (*It may be necessary to splice in a piece of wire or replace wire with a longer one*). Connect battery and check to make sure all hoses, wire's, etc. are clear of any moving or hot parts.

NOTE: Check all engine compartment hoses and electrical wiring that may have been disturbed or rerouted during kit installation to be sure that hoses are not kinked, that they do not touch any high temperature items, and that they do not interfere with any linkage components.

CMK 38 -I6 Belts
1999-10 Chevy Silverado
2000-2013 Suburban Tahoe
4.8,5.3,6.0



PARTS LIST

- | | |
|--|--|
| <ul style="list-style-type: none"> 1. CMP 38 (0-4) (1) 2. CMB 381 (1) <i>(TIPKSC-38 Includes Items 3-4)</i> 3. 89007 Dayco(1) 3a. CMB 3867 (1) 4. 10mm x 40mm 1.5 Flange Bolt (1) 5. 10mm x 140mm 1.5 (3) | <ul style="list-style-type: none"> 6. 10mm LW (6) 7. 10mm x 60mm 1.5 (1) 8. 10mm x 25mm 1.5 (2) 9. Clutch Pump Assembly (1)
(Sold Separately) 10. Belt #1 & #2 5061185
#4 5061150 |
|--|--|



CW MILL EQUIPMENT CO., INC.
P.O. Box 246 • Sabetha, Kansas 66534
(785) 284-3454 • FAX (785) 284-3601

BULLETIN

CMK 38 -I6, CMK 38A-I6, CMK 38 -I6HDA

1999-10 Chevy Silverado

2000-13 Suburban Tahoe

4.8, 5.3, 6.0 W-WO/AC

All 4.8, 5.3, and 6.0 litre engines will require the removal of aluminum from the O.E.M. alternator bracket in order for the pump bracket to fit properly. The illustration shows the area that needs to be removed.

