



CW MILL EQUIPMENT CO., INC.
P.O. Box 246 • Sabetha, Kansas 66534
(785) 284-3454 • FAX (785) 284-3601

CMK 42 -2 Belts

1985-87 CHEVY TRUCK C & K 20,30
1988-89 R & V 3500 Cab Chassis
1988-91 R & V 3500 Crew Cab
454 W-WO/AC, A.I.R.
(NON-SERPENTINE)

INSTALLATION NOTES

1. Disconnect battery terminal. **IMPORTANT:** Mark fan flange to water pump pulley for proper re-installation. Remove fan and loosen belts.
2. Remove four bolts holding radiator top mounting plate on. Remove mounting plate and move radiator forward to give more room to install fan spacer studs and drive pulley.
3. Remove bolts and washers from pulley on front of crankshaft. Install drive pulley (1) with provided bolts. **CAUTION:** Be sure to use bolts with the same thread as O.E.M. bolts removed.
4. Remove fan studs and replace with provided studs (7). Install fan spacer (6) and fan. **IMPORTANT:** Align marks from step 1, tighten securely.
5. Remove bolts at mounting locations shown in diagram. Install mounting brackets (10 & 11) with spacers and bolts provided.
WO/AC: Use spacers (16) at locations "E & F" and bolt bracket (12) to front of cylinder head at locations "A & G".
6. Tighten belts to specified tension. Tighten all loose bolts.
7. Mount pump (27) on plate (13) with pump bolts provided, do not tighten. Place pump and plate between bracket (11), install bolts (20 & 21). Make sure clutch pulley is in line with drive pulley (1). Tighten pump bolts securely.
8. Install pump drive belts (26). Adjust pump plate (13) for proper belt tension, tighten bolts (20 & 21) on pump plate.
9. Fan shroud may need to be cut out for clearance of drive pulley (1) and belts. Install radiator and mounting plate. Connect battery terminal.
10. **CAUTION:** Check all engine compartment vacuum hoses and electrical wiring that may have been disturbed or re-routed during kit installation to be sure that hoses are not kinked, that they do not touch any high temperature items, and that they do not interfere with any linkage components.

NOTE: This kit is designed to operate successfully with standard fan supplied by the manufacturer of your truck. Due to O.E.M. assembly tolerances, visually make certain that there is adequate clearance between fan and drive pulley, and also fan and radiator. It may be necessary to use a longer spacer for pulley clearance. If there is little clearance to the radiator, check with a Chevrolet dealership to insure that it will not flex into the radiator before operating. Move radiator if necessary. Fan shroud may need to be notched for adequate belt clearance.

CMK 42 -2 Belts

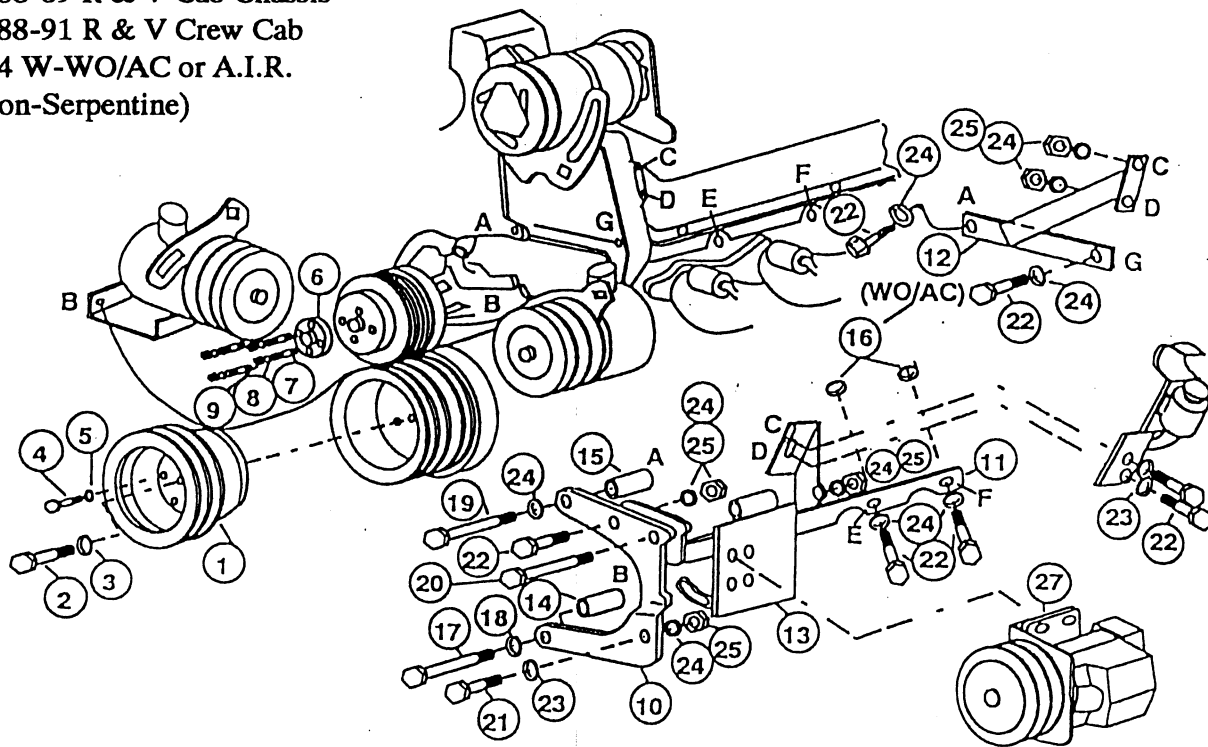
1985-87 CHEVY

1988-89 R & V Cab Chassis

1988-91 R & V Crew Cab

454 W-WO/AC or A.I.R.

(Non-Serpentine)



PARTS LIST

- | | |
|-----------------------------|--|
| 1. CPC 412 (1) | 15. SP88-4.000 (1) |
| 2. 1/2 X 3 NF GR. 8 (1) | 16. SP88-0.187 (2) (WO/AC) |
| 3. 1/2 LW (1) | 17. 7/16 X 7 NC (1) |
| 4. 3/8 X 2-3/4 NC GR. 8 (3) | 18. 7/16 LW (1) |
| 5. 3/8 LW (3) | 19. 3/8 X 5-1/2 NC GR. 8 (1) |
| 6. FSO 504 (1) | 20. 3/8 X 5 NC (1) |
| 7. 5/16 X 2 ST (4) | 21. 3/8 X 1-1/2 NC (1) |
| 8. 5/16 LW (4) | 22. 3/8 X 1-1/4 NC (5) |
| 9. 5/16 NC (4) | 23. 3/8 FW (3) |
| 10. CMB 420 (1) | 24. 3/8 LW (9) |
| 11. CMB 421 (1) | 25. 3/8 NC (5) |
| 12. CMB 422 (1) (WO/AC) | 26. AX-58 (2) (Not Shown) (#2-AX-55, #4-AX-55) |
| 13. CMP 42(0-4) (1) | 27. Clutch Pump Assembly (1) |
| 14. SP88-5.500 (1) | (Sold Separately) |

NOTE: With 7" Clutch #2 AX-57, #4 AX-56.