



CWMILL EQUIPMENT CO., INC.
P.O. Box 246 • Sabetha, Kansas 66534
(785) 284-3454 • FAX (785) 284-3601

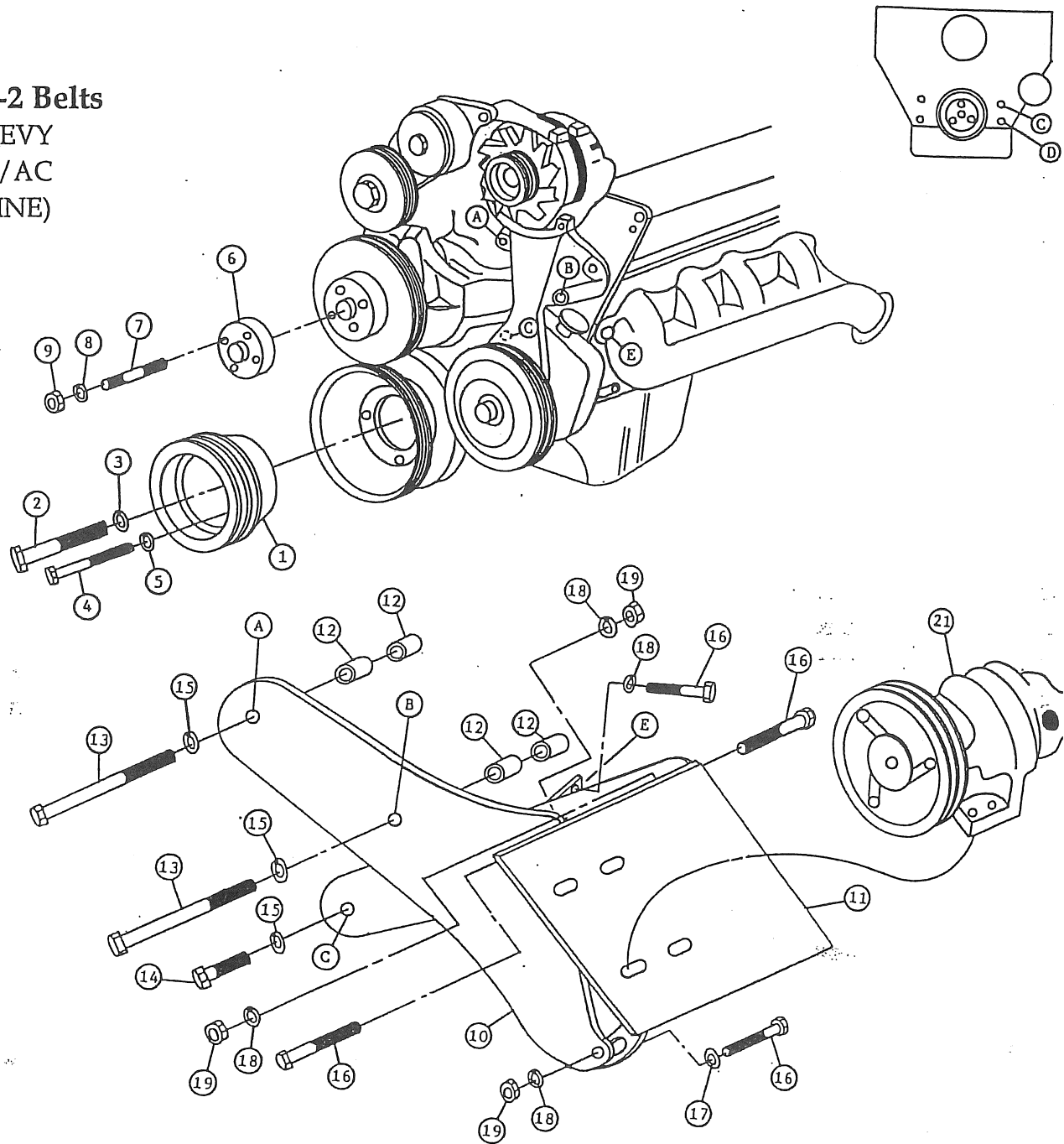
CMK 45 -2 Belts
1994-95 Chevy C & K 2500-3500
454 W-WO/AC

INSTALLATION NOTES

1. Disconnect battery terminal. Remove top half of shroud and serpentine belt.
IMPORTANT: Mark fan flange to water pump pulley for proper re-installation. Remove fan and shroud.
2. Remove bolts at locations "A, B & E". Loosen, do not remove the bottom bolt in the alternator and P.S. bracket at location "D" to gain access to bolt (14) at location "C". Install mounting bracket (10) using spacers (12) and bolts (13,14,16).
NOTE: Power steering hose may be looped up in location of mounting bracket (10). If so, carefully re-route hose to gain clearance for bracket. It may be necessary to remove hose and reinstall around other power steering lines.
3. Tighten bolts at all locations "A-D".
4. Remove crankshaft pulley, install O.E.M. crankshaft pulley on pump drive pulley (1) to check fit. **IMPORTANT:** Due to variations in O.E.M. pulley make sure both pulleys fully seat together. Install drive pulley (1) with provided bolts and lockwashers.
CAUTION: Be sure bolts have the same threads as O.E.M. bolts removed, discard O.E.M. flatwasher.
5. Remove fan studs and replace with provided studs (7). Install fan spacer (6), fan and shroud.
IMPORTANT: Align marks from step 1. Tighten securely. Tension serpentine belt.
6. Mount clutch pump (21) to pump plate (11). Make sure clutch pulley (20) is aligned with drive pulley (1). Tighten pump bolts securely. Install pump drive belts (20), adjust pump plate (11) for proper belt tension, tighten bolts (16). Connect battery terminal.
7. **CAUTION:** Check all engine compartment wiring, vacuum and power steering hoses that may have been disturbed or re-routed during kit installation. Be sure hoses are not kinked, do not contact any high temperature item, and do not interfere with any linkage components.

NOTE: Visually make certain that there is adequate clearance between fan and drive pulley and also between fan and radiator. It may be necessary to use a longer spacer for pulley clearance.

CMK 45 -2 Belts
 1994-95 CHEVY
 454 W-WO/AC
 (SERPENTINE)



PARTS LIST

- | | |
|----------------------------|---|
| 1. CPC 442 (1) | 12. SP88-0.750 (4) |
| 2. 1/2 X 3 NF GR. 8 (1) | 13. 7/16 X 6 NC (2) |
| 3. 1/2 LW (1) | 14. 7/16 X 1 NC (1) |
| 4. 3/8 X 3 NC,NF GR. 8 (3) | 15. 7/16 LW (3) |
| 5. 3/8 LW (4) | 16. 3/8 X 1 1/2 NC (4) |
| 6. FSO 506 (1) | 17. 3/8 FW (1) |
| 7. 8mm X 45mm 1.25 ST (4) | 18. 3/8 LW (4) |
| 8. 8mm LW (4) | 19. 3/8 NC (3) |
| 9. 8mm 1.25 (4) | 20. AX-58 (2) (Not Shown)(#2 AX-56, #4 AX-55) |
| 10. CMB 450 (1) | 21. Clutch Pump Assembly (1) |
| 11. CMP 451 (1) | (Sold Separately) |

With 7" clutch #2 AX-58, #4 AX-57.