



CW MILL EQUIPMENT CO., INC.  
P.O. Box 246 • Sabetha, Kansas 66534  
(785) 284-3454 • FAX (785) 284-3601

**CMK 3892V-I6 Belts**  
1999-09 Chevy/GMC C/K 1500-3500  
1999-2014 Tahoe/Suburban  
4.8, 5.3, 6.0  
W-WO/AC

---

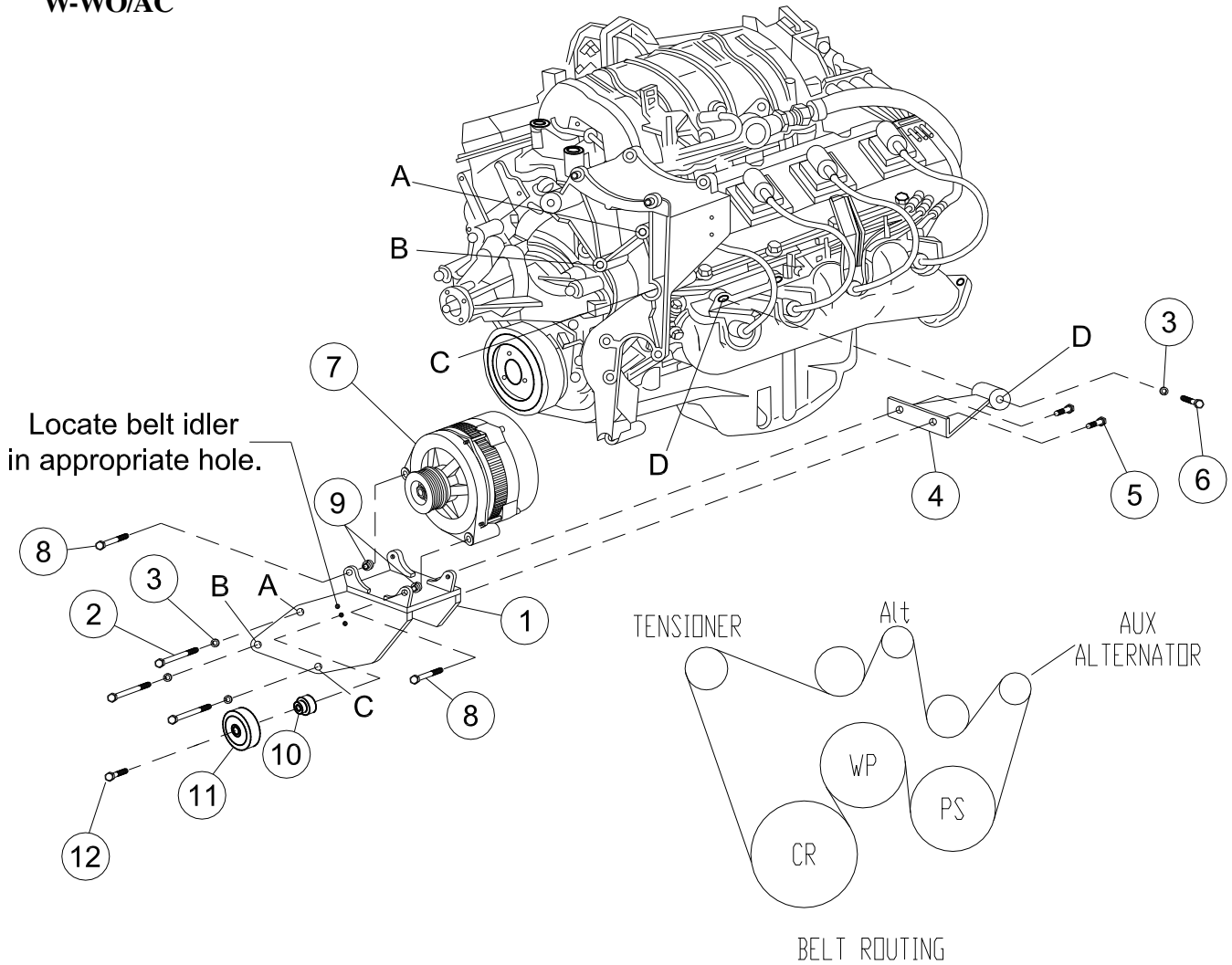
## INSTALLATION NOTES

---

1. Disconnect negative battery cable. Remove the air intake duct. The fan and top half of the fan shroud may be removed to make installation easier, but is not necessary. Remove the O.E.M. belt. Remove the metal bracket holding the hot wire junction block from the side of the alternator bracket, and from the red junction block. It will not be reused. Cut away the ground ear on the O.E.M. alternator bracket as shown on the attached sheet.
2. Remove the three bolts at locations “A”, “B”, and “C”. Position the aux. alternator bracket (1) over the front of the O.E.M. alternator bracket and install bolts (2) with lockwashers (3) at locations “A”, “B”, & “C”. Tighten bolts securely. Install brace (4) with bolts (5) to the back of the bracket (1), and to the engine at location “D” with bolt (6) and lockwasher (3). Tighten bolts evenly and securely.
3. Install the alternator (7) onto the bracket (1) using bolts (8) and slide bushings (9). Tighten bolts securely. Install idler (11) with bushing (10), and bolt (12) onto bracket (1) into the lowest hole possible, and still get the belt (13) on according to the diagram.
4. Replace the fan and top half of the fan shroud if removed. Replace the air intake duct. Connect the battery cable.

**NOTE:** Check all engine compartment vacuum hose and electrical wiring that may have been disturbed or rerouted during kit installation to be sure that hoses are not kinked, that they do not touch any high temperature items, do not contact any moving parts, and that they do not interfere with any linkage components.

**CMK 3892V-I6 Belts**  
**1999-09 Chevy/GMC C/K 1500-3500**  
**1999-2014 Tahoe/Suburban**  
**4.8,5.3,6.0**  
**W-WO/AC**



**PARTS LIST**

- |                                     |                                |
|-------------------------------------|--------------------------------|
| 1. CMP 3892V (1)                    | 8. 10mm x 80mm Flange Bolt (2) |
| 2. 10mm x 140mm 1.5 (3)             | 9. 1255-0090 Slide Bushing (2) |
| 3. 10mm LW (4)                      | 10. CMB 3867 Bushing (1)       |
| 4. CMB 381 Brace (1)                | 11. 89007 (1)                  |
| 5. 10mm x 20mm Flange Bolt (2)      | 12. 10mm x 40 Flange Bolt (1)  |
| 6. 10mm x 60mm 1.5 (1)              | 13. Belt 5061130 (1)           |
| 7. Alternator (Sold Separately) (1) |                                |



CW MILL EQUIPMENT CO., INC.  
P.O. Box 246 • Sabetha, Kansas 66534  
(785) 284-3454 • FAX (785) 284-3601

## BULLETIN

CMK 38 92V-I6

1999-09 Chevy/GMC / 1999-2014 Tahoe/Suburban 4.8,5.3,6.0 W-WO/AC

All 4.8, 5.3, and 6.0 litre engines will require the removal of aluminum from the O.E.M. alternator bracket in order for the alternator to fit properly. The illustration shows the area that needs to be removed.

