



CW MILL EQUIPMENT CO., INC.
P.O. Box 246 • Sabetha, Kansas 66534
(785) 284-3454 • FAX (785) 284-3601

DMK 57L3S-I8 Belts
2007-2009 Dodge D-250,350
6.7 Cummins Diesel
W-AC

INSTALLATION NOTES

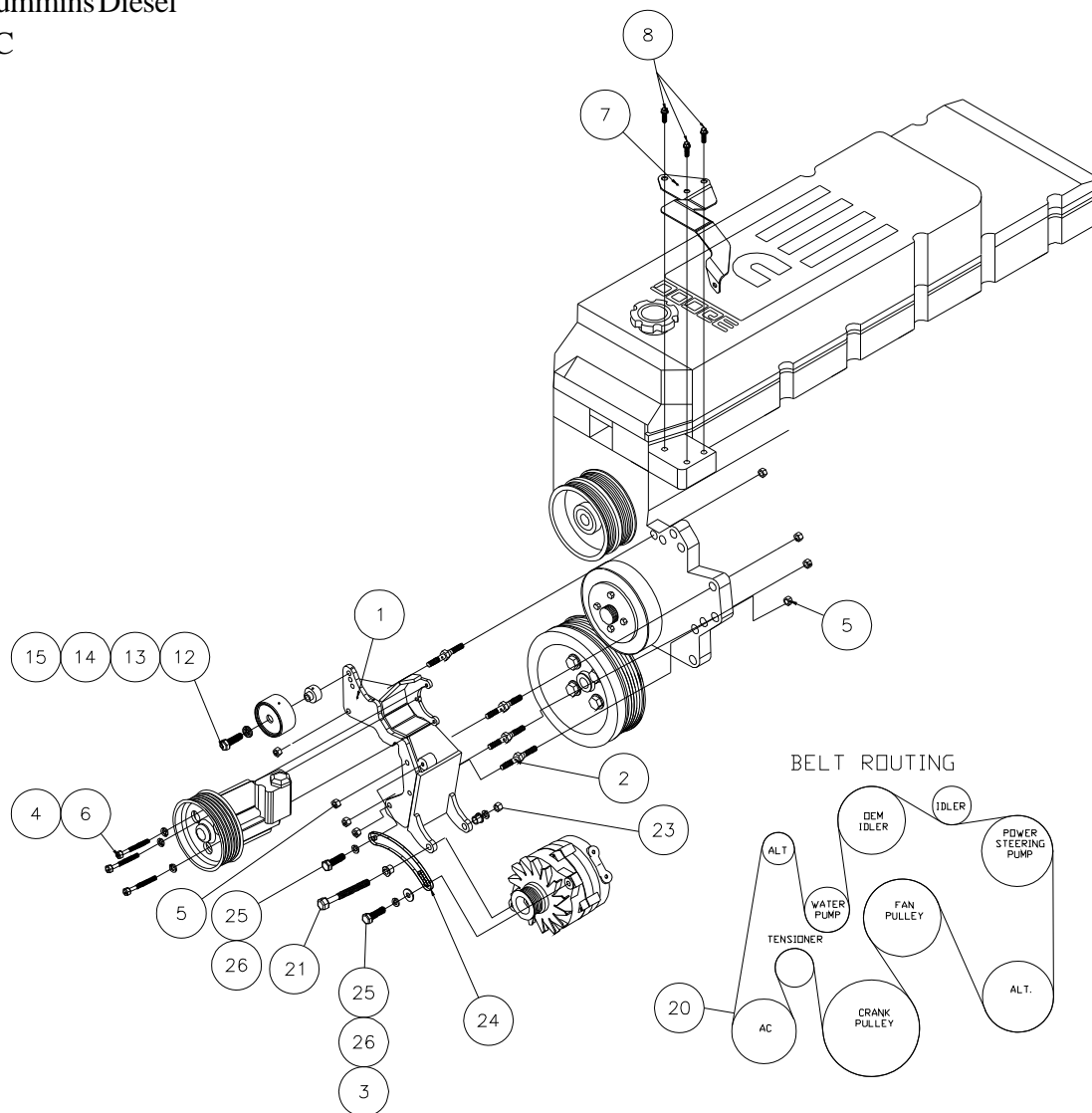
1. Drain radiator below upper radiator hose. Remove hose. Remove driver side upper shroud support. Remove belt. Remove return hose from power steering reservoir and let reservoir drain. Remove bolts from power steering pump through the holes in the pulley. Leaving pressure lines attached, set pump aside on passenger side of engine. Remove power steering pump brackets.
2. Install studs(2) in timing cover w/nuts(5),LW's(4), and FW's(3). Install 5/8 hose(16) onto return hose using hose barb (18) and hose clamps(17). Loosen front pressure hose on steering gear box and swing over frame rail. Set the aux. alternator on the driver side frame before installing the main bracket(1).
3. Install bracket (1) onto studs (2) using nuts(5) and LW's(4). Install alternator onto bracket(1) using bolts(21,25), spacers (27), nut(22), FW(3), LW's(23,26), and slide(24) making sure to use one spacer in front of spool of alternator and one behind. NOTE: It may be easier to install wiring before power steering pump is reinstalled. Install power steering pump onto bracket using bolts(6) and LW's(4). Install new belt(20) according to the belt diagram. Install idler(13) in lowest hole location possible while tensioner is retracted fully using bolt(15), FW(14), and bushing(12).
4. Install grommet into shroud. Install shroud brace (9) using top power steering reservoir bolt and using bolt (10), nut (11), and FW (3). Install hose rest (7) to head on driver side using flange head bolts (8). Cut 3/4" off radiator side of top radiator hose and reinstall. Connect new power steering return hose (16) to power steering reservoir using hose barb (18) and hose clamps (17). Fill reservoir w/ATF Plus 4 transmission fluid. Fill radiator and overflow tank. Check for proper belt tracking and clearances.

DMK 57L3S-I8 Belts

2007-2009 Dodge Truck 250,350

6.7 Cummins Diesel

W-AC



PARTS LIST

- | | | | |
|-----|------------------------------|-----|--------------------------------|
| 1. | DMP57L3S-I8 (1) | 14. | 3/8 FW (1) |
| 2. | 8mm Stud 08075-1.24 ST (5) | 15. | 10mm X 45mm Bolt (1) |
| 3. | 5/16 FW (1) | 16. | 14" -5/8 Oil Hose (1) |
| 4. | 8mm LW (3) | 17. | #10 Hose Clamp (2) |
| 5. | 8mm Flange Nut (8) | 18. | 5/8 Double Ended Hose Barb (1) |
| 6. | 8mm X 70mm Bolt (3) | 19. | 15" Plastic Tie (1) |
| 7. | DMB563 (1) | 20. | 5081300 Belt (1) |
| 8. | 10mm X 20mm Flanged Bolt (3) | 21. | 7/16 X 5 Bolt (1) |
| 9. | DMB561 (1) | 22. | 7/16 Nut (1) |
| 10. | 8mm X 40mm Bolt (1) | 23. | 7/16 LW (1) |
| 11. | 3/8 Rubber Grommet (1) | 24. | L3SB3 (1) |
| 12. | DMB 562 (1) | 25. | 3/8 X 1-1/4 (2) |
| 13. | 89016 (1) | 26. | 3/8 LW (1) |
| | | 27. | SP88-.250 (2) |