



CW MILL EQUIPMENT CO., INC.  
P.O. Box 246 • Sabetha, Kansas 66534  
(785) 284-3454 • FAX (785) 284-3601

**FMK 66L3S -8 Belts**  
**1999-2003 Ford Truck 250-550**  
**7.3 Direct Injected Intercooled Diesel**  
**W-WO/AC or Dual Alternator**

## INSTALLATION NOTES

1. Disconnect negative battery terminals. Drain radiator until coolant level is below thermostat housing. Remove the tire wrench and jack tools from the radiator support. Remove the three bolts from the coolant reservoir and move it aside. Remove the upper radiator hose, the fan and fan shroud. The fan nut has right hand threads.
2. Install drive pulley (1) on the front of the harmonic balancer with bolts (2) and lockwashers (3). Remove plastic 7.3 cover and it's mounting bracket from the top of engine. Unload belt tensioner and remove belt. Remove alternator from bracket and lay on top of engine.
3. Use powersteering pulley puller, (Snap-On PN# CJ117, MAC PN# PP7185M or it's equivalent) to remove powersteering pulley. Remove the three bolts holding the powersteering pump to the bracket, do not remove hoses from PS pump. Remove the four bolts holding the powersteering and alternator bracket to the engine and remove the bracket.
4. Install bracket (4) onto the engine with bolt (10) and lockwasher (11) at location (A), and bolt (9) with lockwasher (11) at location (B). Do not tighten. Install idler bracket (17a) with bolts (9) and lockwashers (10) at locations (C) and (D). Tighten all bolts to 40 ft. lbs. Install idler (17c) onto the bushing of (17a) using shims (17b) to align it with the drive pulley. Secure the idler with bolt (17d). Bolt the powersteering pump onto the new bracket using the O.E.M. bolts. Install the powersteering pulley onto the powersteering pump using a pulley installation tool, (Snap On PN# CJ113B, Mac PN# PP7005M or it's equivalent). Install the alternator onto bracket (4) using O.E.M. bolts. Install O.E.M. serpentine belt.  
**NOTE:** Since the alternator location was altered, the O.E.M. belt may fit slightly tighter.
5. Install alternator plate (5) with bolts (12), LW's (14), and FW's (13). Install alternator (15) into plate (5) using bolts (20,21), LW's (13,22), spacer (24), and nut (23). Align alt. pulley to crankshaft pulley (1), tighten plate bolts (12) securely.  
**NOTE:** Due to a new air cleaner duct design change by Ford, some interference may be encountered when installing a alternator. If this occurs, use a hot air gun to heat the cover and form it away from the pulley about 1/2 inch. Align alt. to crankshaft pulley (1), tighten plate bolts securely.
6. Install spring loaded tensioner (6) onto the tensioner boss (making sure that the line up pin is in place) with bolt (7) and lockwasher (8), tighten.
7. Install the serpentine belt over the drive pulley and alternator pulley. With a 5/8 wrench, load the tensioner until it bottoms out. Slide the belt into place and release the tensioner.
8. Rotate the upper radiator hose so the radiator end is on the engine. Cut the hose approximately 8" from the short 90° bend, splice in the steel bent tube (18) using clamps (19). Install radiator hose and refill coolant. Use tie strap through hole in the front of the bracket just under the alternator to secure the radiator hose. Connect battery terminal.

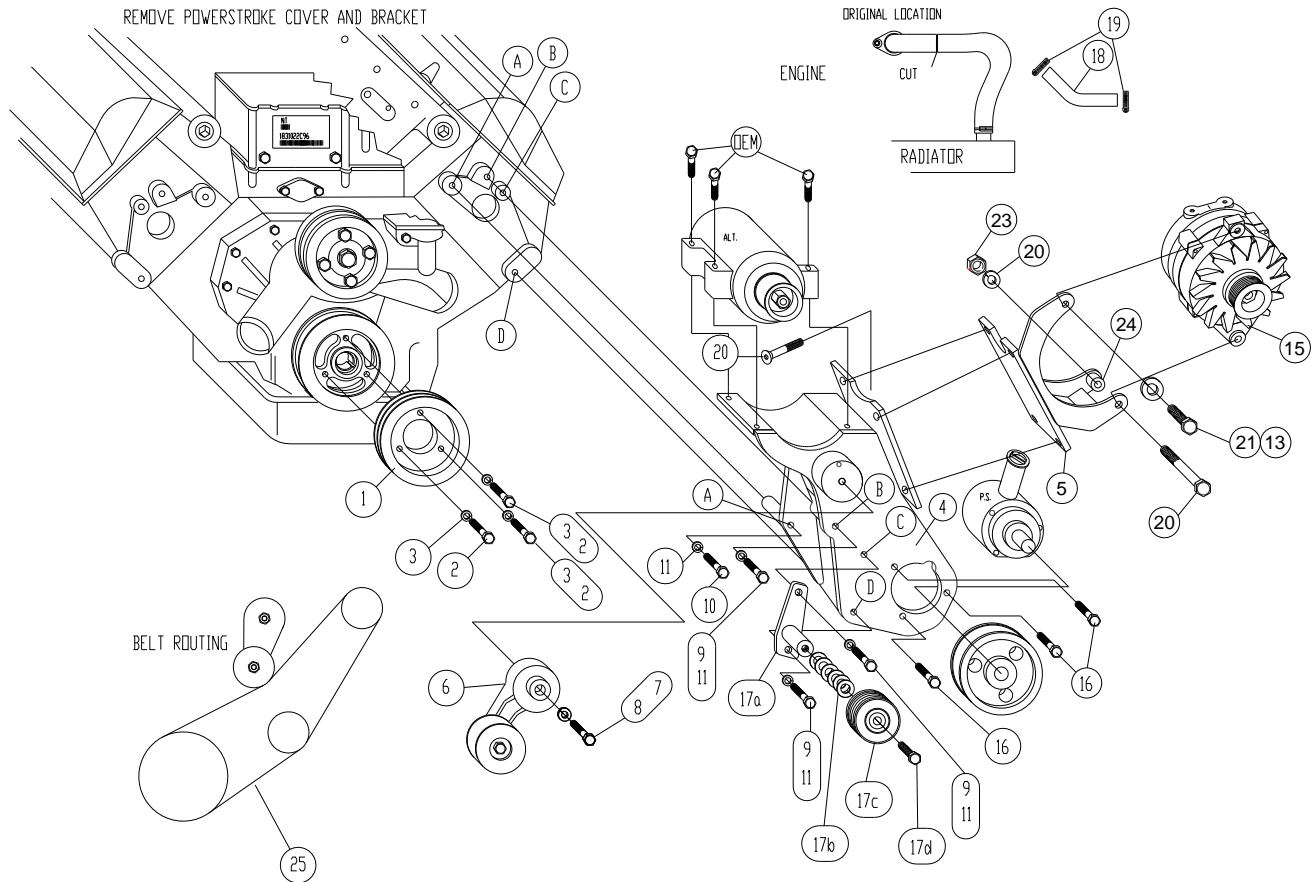
**NOTE:** Check all engine compartment vacuum hoses and electrical wiring that may have been disturbed or re-routed during kit installation to be sure that hoses are not kinked, that they do not touch any high temperature item, and that they do not interfere with any linkage components.

# FMK 66L3S-8 Belts

1999-2003 Ford Truck 250-550

7.3 D.I.T. Intercooled Diesel

W-WO/AC/Dual Alternator



## PARTS LIST

- |                                  |                                  |
|----------------------------------|----------------------------------|
| 1. FPC 65812 (1)                 | 16. O.E.M.                       |
| 2. 10mm x 40mm 1.5 (3)           | <u>GPKDF66-8 (items 17a-17d)</u> |
| 3. 10mm LW (3)                   | 17a. FMB662 (1)                  |
| 4. FMB 660 (1)                   | 17b. IPW 14 Shim (4)             |
| 5. FMP 66L3S (1)                 | 17c. GPCD8P (1)                  |
| 6. Dayco 8920236 (1)             | 17d. 5/8 x 2 1/2 NC              |
| 7. 12mm x 90mm 1.75 (1)          | 18. F66 Rad. Line (1)            |
| 8. 12mm LW (1)                   | 19. #28 Clamp (2)                |
| 9. 10mm x 140mm 1.5 (3)          | 20. 7/16 x 5 (1)                 |
| 10. 10mm x 80mm 1.5 (1)          | 21. 3/8 x 1-1/4 (1)              |
| 11. 10mm LW (4)                  | 22. 7/16 LW (1)                  |
| 12. 3/8 x 1 NC (4)               | 23. 7/16 Nut (1)                 |
| 13. 3/8 FW (5)                   | 24. SP88-0.500 (1)               |
| 14. 3/8 LW (4)                   | 25. Belt Dayco 5080670           |
| 15. Alternator (Sold Separately) |                                  |