



CW MILL EQUIPMENT CO., INC.
P.O. Box 246 • Sabetha, Kansas 66534
(785) 284-3454 • FAX (785) 284-3601

VCK 3892V-I6 Belt
2003-2014 CHEVY
G 1500-3500
5.3, 6.0 VORTEC V-8
W-WO/AC
W/O EGR Valve

INSTALLATION NOTES

1. Disconnect the negative battery cable. Remove the air intake duct. Removing the fan shroud and fan is not necessary, but does make installation easier. Fan nut has right hand threads. Remove the O.E.M. belt and tensioner, they will not be reused. Remove oil fill tube and cut off stabilizer bracket flush with tube.
2. Install bracket (1) onto the engine at locations A, B, & C with bolts (3,4) & LW's (2). Torque to 35 ft. lbs. Install the tensioner (9) with bolt (10) and torque to 25-30 ft. lbs. Install alternator (17) with bolts (15) and slide bushings (16). Air conditioner line may need to be bent out of the way. Be sure to leave 2" clearance between alternator and air conditioner line.
3. Remove the factory idler located next to the alternator and in the same location, install idler (12) using bushing (11) and bolt (13).
4. Install the new belt (18) and route it according to the diagram. It is easiest to install the belt over the O.E.M. idler last. Install the fan and fan shroud if removed.
5. Install tube bracket (5) with bolts (6) and lockwashers (8). Bolt transmission dipstick tube to bottom hole of tube bracket using bolt (6), nut (7), and lockwasher (8). Bend the mount for the engine oil dipstick to line up with the top hole on tube bracket. Reinstall oil fill tube and engine oil dipstick, as shown on diagram, using Adel clamp (14), bolt (6), nut (7), and lockwasher (8).
6. Reconnect the battery cable. Run the engine and check for proper belt tracking.

CAUTION: Check all engine compartment vacuum hoses and electrical wiring that may have been disturbed or re-routed during kit installation to be sure that hoses are not kinked, do not touch any high temperature item, and do not interfere with any linkage components.

VCK 3892V-I6 Belt

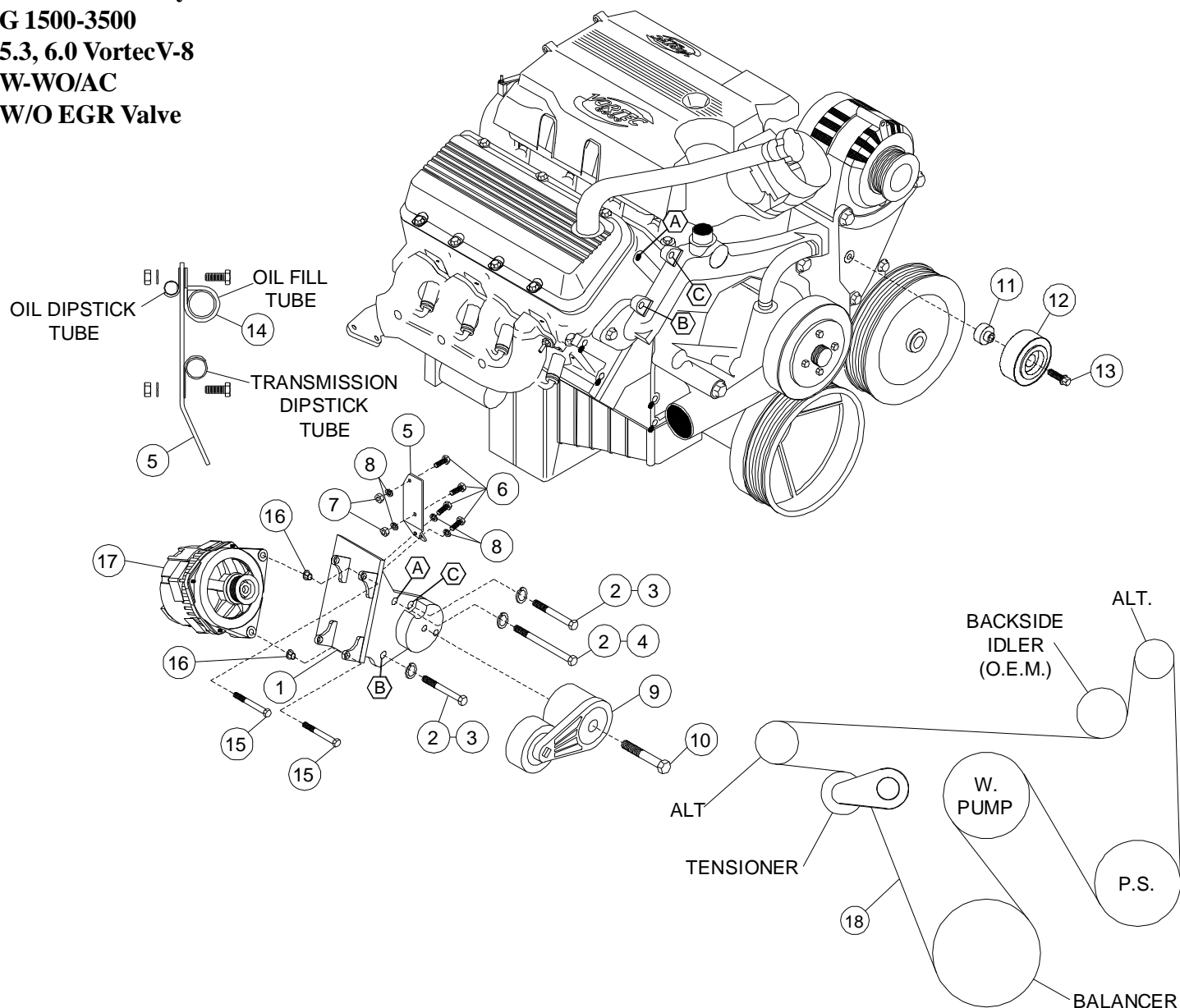
2003-2014 Chevy

G 1500-3500

5.3, 6.0 VortecV-8

W-WO/AC

W/O EGR Valve



PARTS LIST

- | | |
|-------------------------|----------------------------------|
| 1. VCMB 38 I6 (1) | 11. CMB3867 (1) |
| 2. 10mm LW (3) | 12. 89006 (1) |
| 3. 10mm x 65mm (2) | 13. 10mm x 40mm Flange (1) |
| 4. 10mm x 130mm (1) | 14. 1" Adel Clamp (1) |
| 5. VCMB 382 | 15. 10mm x 75mm (2) |
| 6. 1/4 x 3/4 UNC (4) | 16. 1255-0090 Slide Bushing (2) |
| 7. 1/4 Nut (2) | 17. Alternator (Sold Separately) |
| 8. 1/4 LW (4) | 18. K061037 (1) |
| 9. 89203 TIPCS (1) | |
| 10. 10mm x 60mm 1.5 (1) | |