



**VFLMK23J180-6**  
**2007-2016 FREIGHTLINER,**  
**DODGE, MERCEDES/SPRINTER**  
**3.0 V6 DIESEL**

## INSTALLATION NOTES

---

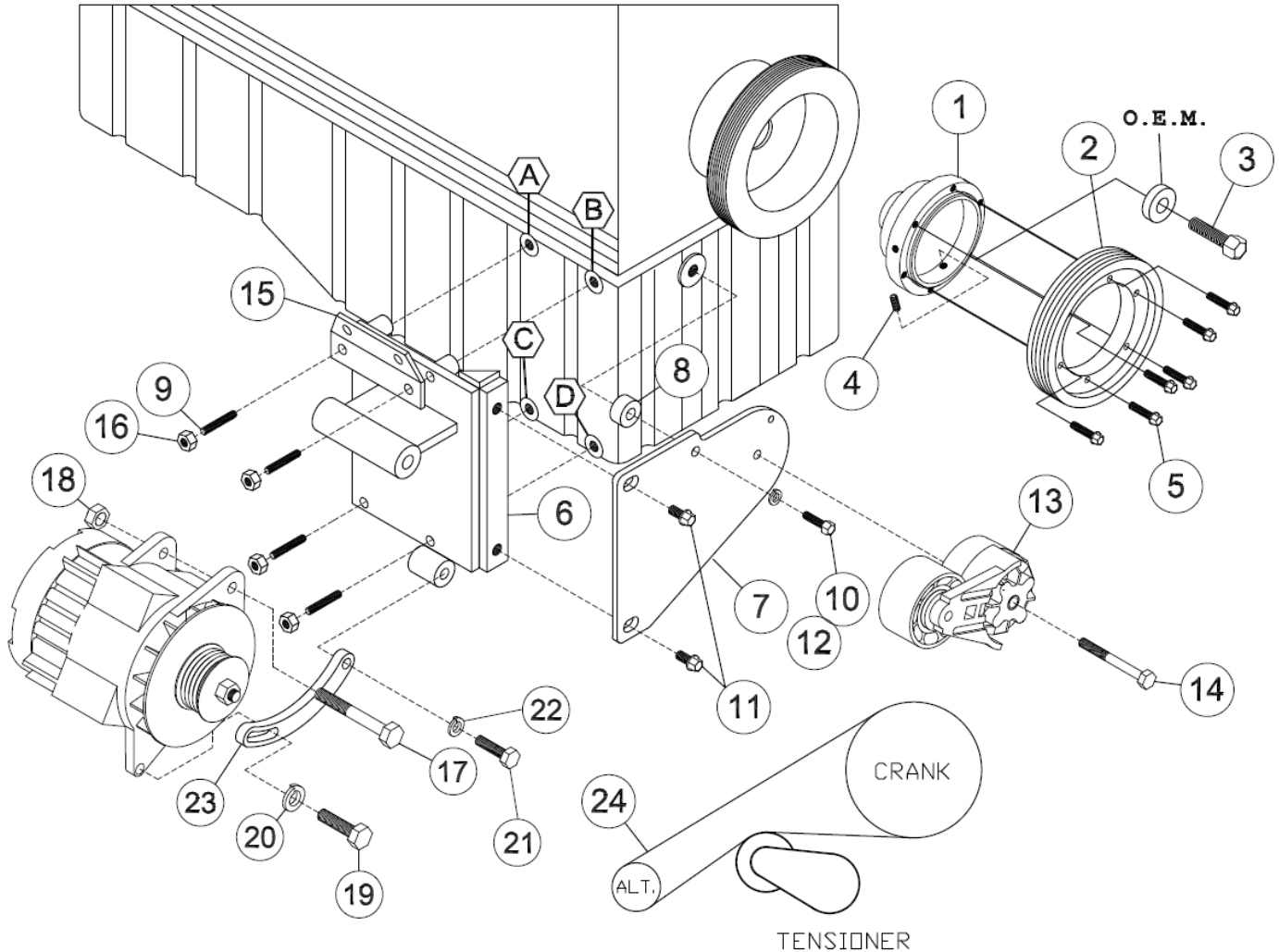
1. Remove air cleaner assembly. Remove the fan and fan shroud. Remove harmonic balancer bolt using wrench (pn. VFL23WR-1 sold separately) (bolt has right hand threads).
2. Install pulley adapter (1) using bolt (3), O.E.M. spacer, and set screws (4). Torque harmonic balancer bolt to 280 ft/lbs using wrench (pn. VFL23WR-2 sold separately). Cross torque set screws at 10 in/lbs, 5 ft/lbs, 15 ft/lbs, and then 25 ft/lbs. Install drive pulley (2) with bolts (5) to pulley adapter (1). Install studs (9) with red locktight and torque to 5 ft.lbs.. Install main bracket (6) with nuts (16) at locations "A" and "B". Check for gap at locations "C" and "D" with feelers gauge. Remove bracket (6) and install appropriate shims (25,26) on studs at locations "C" and "D". Remove the two lower bolts from the O.E.M. alternator. Reinstall main bracket (6) and then brace (15) using nuts (16). Do not tighten. Install the two lower alternator bolts back into alternator through the brace (15). Torque bolts to 20 ft.lbs. and nuts (16) to 20 ft.lbs.. Install front brace (7) using bolts (11,12), lock washer (10), and spacer (8). Install belt tensioner (13) using bolt (14).
3. Install alternator using bolts (17,19,21), nut (18), lock washers (20,22) and slide (23). Install new drive belt (24). Install fan spacer (27), fan, and fan shroud. Fan shroud will need to be trimmed for clearance with the drive belt and tensioner. Run the engine and check for proper belt tracking and clearances.

# VFLMK23J180-6

2007-2016 FREIGHTLINER

DODGE, MERCEDES/SPRINTER

3.0 V6 DIESEL



## PARTS LIST

- |                                |                                  |                              |
|--------------------------------|----------------------------------|------------------------------|
| 1. VFLPA 23 (1)                | 11. 10mm x 20mm Flanged Bolt (2) | 21. 3/8" x 1-1/4" (1)        |
| 2. VFLPC 236-7.5 (1)           | 12. 8mm 35mm Bolt (1)            | 22. 3/8" Lock washer (1)     |
| 3. 18mm x 110mm x 1.5 Bolt (1) | 13. 89200C Tensioner (1)         | 23. J180B3 (1)               |
| 4. 8mm x 20mm set screw (3)    | 14. 10mm x 75mm Bolt (1)         | 24. K060478 Gates (1)        |
| 5. 8mm x 25mm Flange Bolt (6)  | 15. VFLMB232 (1)                 | <u>ITEMS 25-27 NOT SHOWN</u> |
| 6. VFLMP 23J180-6 (1)          | 16. 8mm Flange Nut (4)           | 25. .005" Shim (2)           |
| 7. VFLMB 231 (1)               | 17. 1/2" x 6" (1)                | 26. .010" Shim (2)           |
| 8. SP125-.500 (1)              | 18. 1/2" Nut (1)                 | 27. FSK38 (1)                |
| 9. 8mm x 80mm Stud (4)         | 19. 1/2 x 1-1/2 (1)              |                              |
| 10. 8mm Lock washer (1)        | 20. 1/2" Lock washer (1)         |                              |