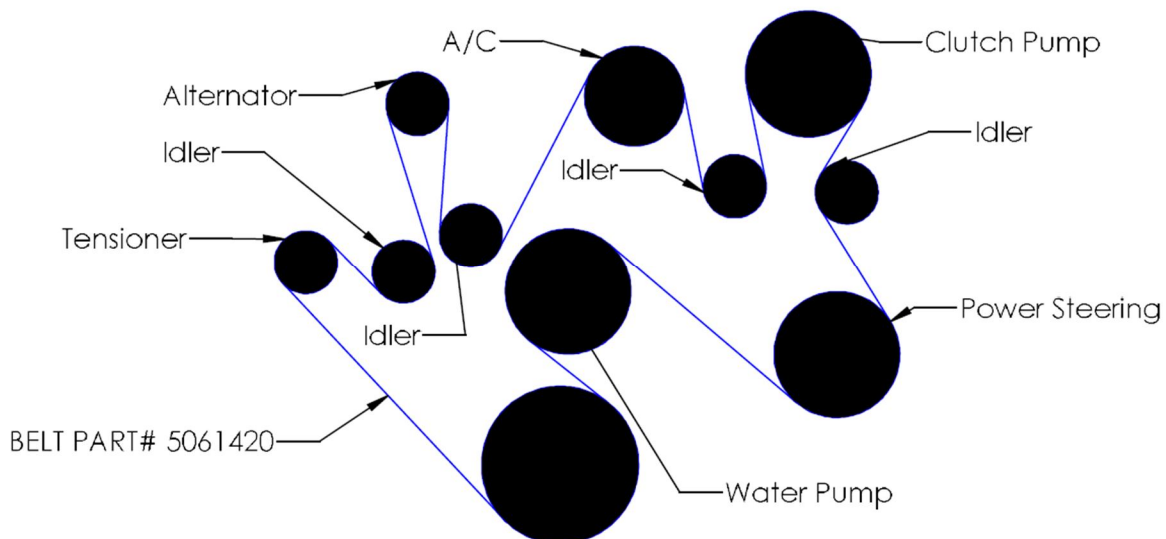


INSTALLATION NOTES

NOTE: MUST USE REAR PORTED PUMP

1. Disconnect the battery cables. Install pump bracket next to the A/C compressor with bolts (2) at location A, and bolt (3) at location B. Tighten all bolts lightly, then torque them to 35ft. lbs.
2. It may be necessary to reroute the engine wires out of the way of the pump. An Adel clamp is included in the kit to hold the large wiring harness at the back of the bracket. Install the pump onto the bracket with bolts provided. Install both idlers onto the bracket with hardware provided. The idler to the inside should go into the bottom hole of the two hole locations.
3. Install the new belt according to the belt routing below. If the upper radiator hose is too close to the clutch, 2" can be cut from the hose at the radiator. Because there is no drain on the cooling system, it is easiest to use a siphon hose at the reservoir. With the reservoir empty, the coolant level will be below the upper radiator hose.
4. Reconnect the batteries. Run the engine and check for proper belt tracking.
5. Make certain no wires or hoses come in contact with any hot or moving parts.



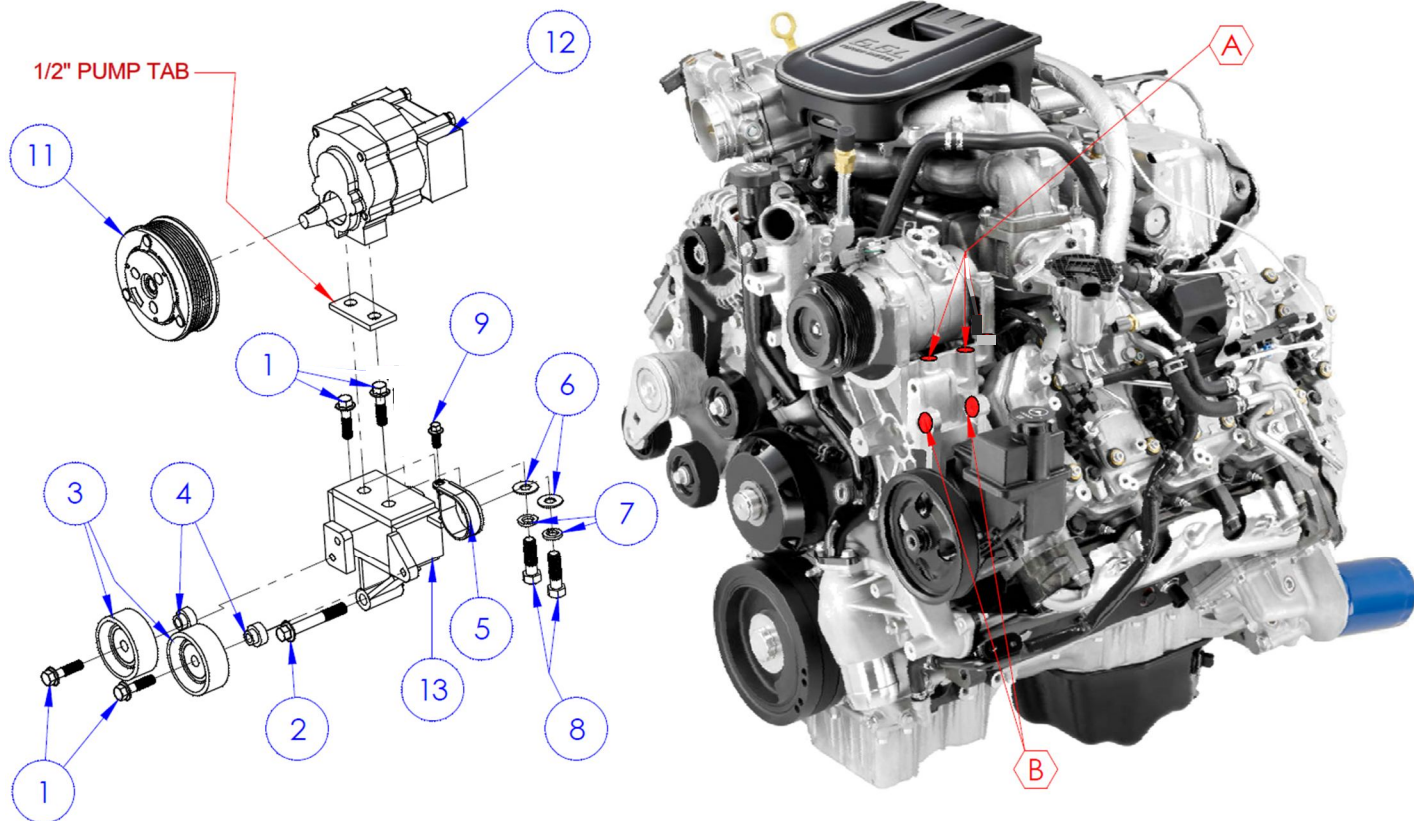
CMK2604-I6

2011-2016

Silverado 2500-3500

6.6L Duramax

Without Dual Alternator



PARTS LIST

- | | |
|---|---|
| 1. 10mm x 40mm Flange (5) | 8. 1/2" x 1-3/4" (2) (Pump Hardware) |
| 2. 10mm x 80mm Flange (1) | 9. 8mm x 20mm Flange (1) |
| 3. 89007 Idler (2) | 10. 1/2" #4 Pump Spacer (1) (Pump Hardware) |
| 4. CMB3867 (2) | 11. Coil and Clutch (Sold Separately) |
| 5. #24 Adel Clamp (1) | 12. Hydraulic Pump (Sold Separately) |
| 6. 1/2" Flat Washer (2) (Pump Hardware) | 13. CMP2604-I6 (1) |
| 7. 1/2" Lock Washer (2) (Pump Hardware) | 14. Belt Dayco 5061420 (1) |