



CW MILL EQUIPMENT CO., INC.
P.O. Box 246 • Sabetha, Kansas 66534
(785) 284-3454 • FAX (785) 284-3601

FMK 74 -2 BELTS
1986-92 Ford F-600,700,800
6.6,7.8 WO/AC,W-WO/Turbo
W/Air or Hyd. Brake Boost

INSTALLATION NOTES

1. Disconnect battery. Remove fan, lay it against radiator and fan shroud.
2. Pilot drive pulley (1) into idler assembly. Install fan to drive pulley (1) using bolts (2) and lockwashers (3) and secure fan.
3. Install pump plate (5) to engine at location "A", using bolt (13). DO NOT install slotted brackets (6) yet.
4. Install clutch pump to plate with bolts (13). Align clutch pulley to drive pulley (1), tighten pump bolts.
CAUTION: Check fan to clutch pump clearance.
5. Work pump drive belts (18) over fan and install on drive and clutch pulleys.
6. Install tension bracket (7), at location "D", with bolt (9). Put jam nut (17) on jackscrew (15) and thread into tension bracket. Adjust jackscrew for proper pump belt tension.
NOTE: Power steering pump reservoir may need moved outward slightly, depending on the size of pump being used.
7. Bolt two slotted brackets (6) to the inside of tabs welded under pump plate, using bolts (14). Using bolt (8) fasten brackets (6) at locations "B & C". With pump belts properly tensioned, secure all bolts.
8. Support or protect upper radiator hose from contact with pump plate. Connect battery terminal.

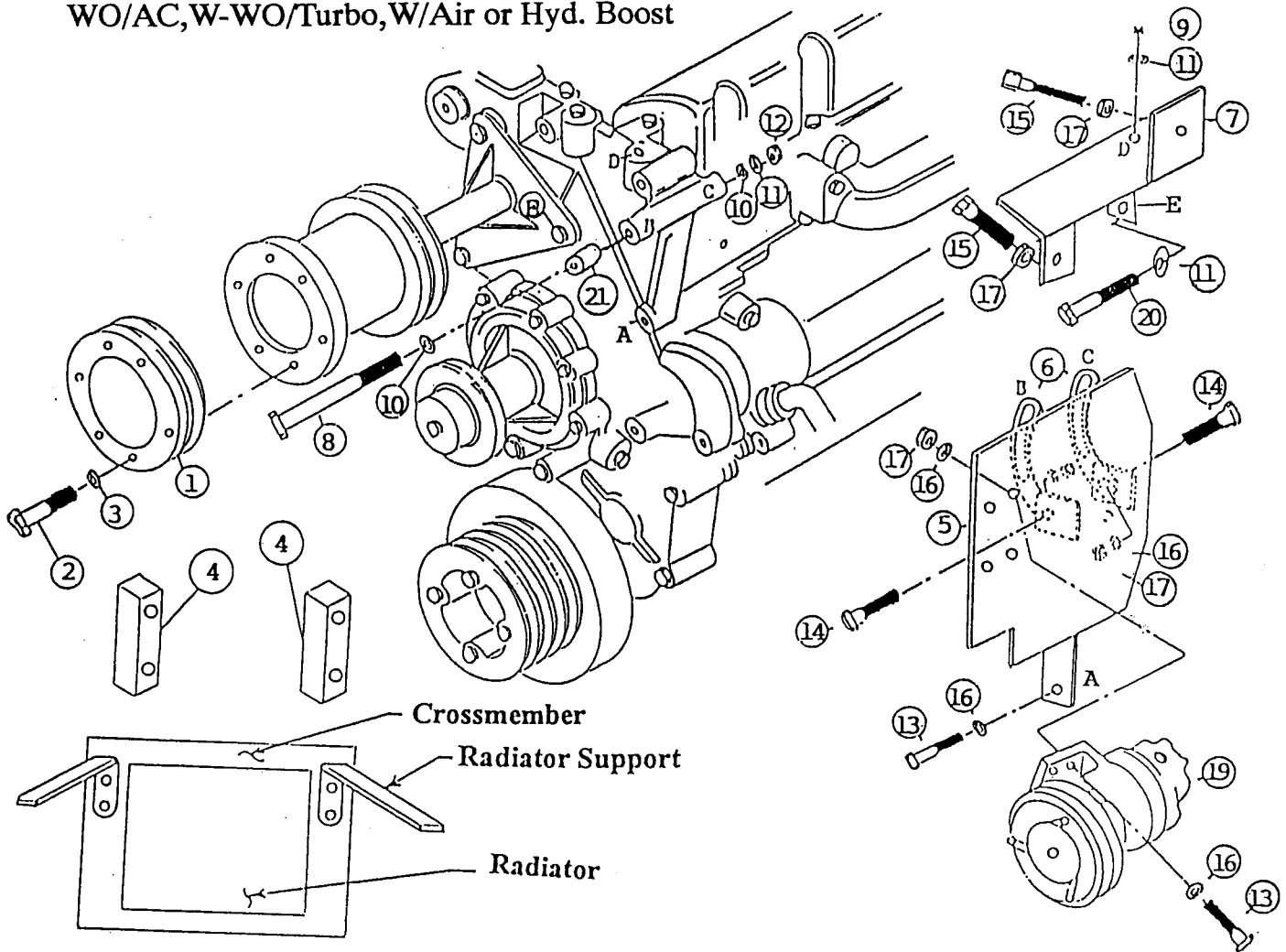
CAUTION: Check all engine compartment hoses and electrical wiring that may have been disturbed or re-routed during kit installation to be sure that hoses are not kinked, that they do not touch any high temperature item, and that they do not interfere with any linkage components.

NOTE: This kit is designed to operate successfully with the standard fan supplied by Ford. Due to O.E.M. assembly tolerances, visually make certain that there is adequate clearance between fan and radiator tank. If there appears to be inadequate clearance to the radiator, check with Ford dealership to insure that it will not flex into the radiator before operating, or move radiator ahead for clearance.

FMK 74 -2 Belts

1986-92 Ford 6.6,7.8

WO/AC,W-WO/Turbo,W/Air or Hyd. Boost



PARTS LIST

- | | |
|------------------------------|--|
| 1. FPC 742 (1) | 11. 7/16 LW (3) |
| 2. 5/16 X 1 1/4 NC GR. 8 (6) | 12. 7/16 NC (1) |
| 3. 5/16 LW (6) | 13. 3/8 X 1 1/2 NC (1) GR. 8 |
| 4. FMB 743 (2) | 14. 3/8 X 1 1/4 NC (2) |
| 5. FMP 74(0-4) (1) | 15. 3/8 X 3 1/2 SQ. (2) |
| 6. FMB 711 (2) | 16. 3/8 LW (3) |
| 7. FMB 742 (1) | 17. 3/8 NC (4) |
| 8. 7/16 X 6 NC (1) | 18. AX-39 (2) (Not Shown) (#2 AX-38, #4 AX-37) |
| 9. 7/16 X 1 NC (1) | 19. Clutch Pump Assembly (1) |
| 10. 7/16 FW (2) | (Sold Separately) |
| | 20. 7/16 X 1 3/4 NC (1) |
| | 21. SP165-0.750 |

NOTE: With 7" Clutch #2 AX-39, #4 AX-38.

NOTE: Use spacer (21) at location "B" if distance between "B & C" measures 3 3/8" rather than 4 1/8".

NOTE: Use spacers (4) for additional fan to radiator clearance.