



CW MILL EQUIPMENT CO., INC.
P.O. Box 246 • Sabetha, Kansas 66534
(785) 284-3454 • FAX (785) 284-3601

CMK 74SD508-I8
2004-09
Chevy Kodiak 6500 & 7500
GMC Topkick 6500 & 7500
CAT (C7) W/AC

INSTALLATION NOTES

1. Disconnect negative battery cable. Drain engine coolant. Remove coolant tube at the water pump outlet and from the overflow tank. Remove OEM belt. Remove OEM alternator.
2. Install fittings (13, 14) at the water pump with the hose barb pointed forward and down to clear the radiator hose. Install new hose (15) using OEM hose clamps and odel clamps provided to secure the hose. Route the hose underneath the fan shroud and up to the overflow tank. (Note: do not route the hose above the overflow tank level.)
3. Remove OEM bolts from the passenger side frame rail at locations (B & C). Install radiator support rod bracket (16) with bolt (17), nut (4), and lockwasher (5) at location (A). Reuse OEM bolts in locations (B & C). (Note: Remember to reinstall ground cables at location (C)). Remove bolt from passenger side radiator support rod at location (D) and loosen the bolt at the other end of the rod. Rotate the support rod down to the new bracket reusing OEM bolt. Tighten both bolts securely.
4. Install the dual bearing idler assembly (8, 11, 12, 10) at location (E). Install studs (3) into the alternator mounting bracket. Install the alternator onto the studs (3) and secure it with nuts (4). Torque to 35 ft/lbs. Install the A.C. compressor onto mounting plate (1) using bolts (18,19), nuts (20) and slide bushings (21). Install bushings (2) and mounting plate (1) onto the four alternator studs (3) as shown, securing with nuts (4) and lockwashers (5). Torque to 35 ft/lbs.
5. Install single bearing idler (7) with bolt (9) and spacer (6) in the highest hole possible at locations (C thru F) that will allow the new belt (23) to be installed. Install belt (23) as shown in belt diagram. Refill engine with coolant and reconnect battery cable. Check for proper clearances to all moving parts. Run engine and check for proper tracking of the belt.

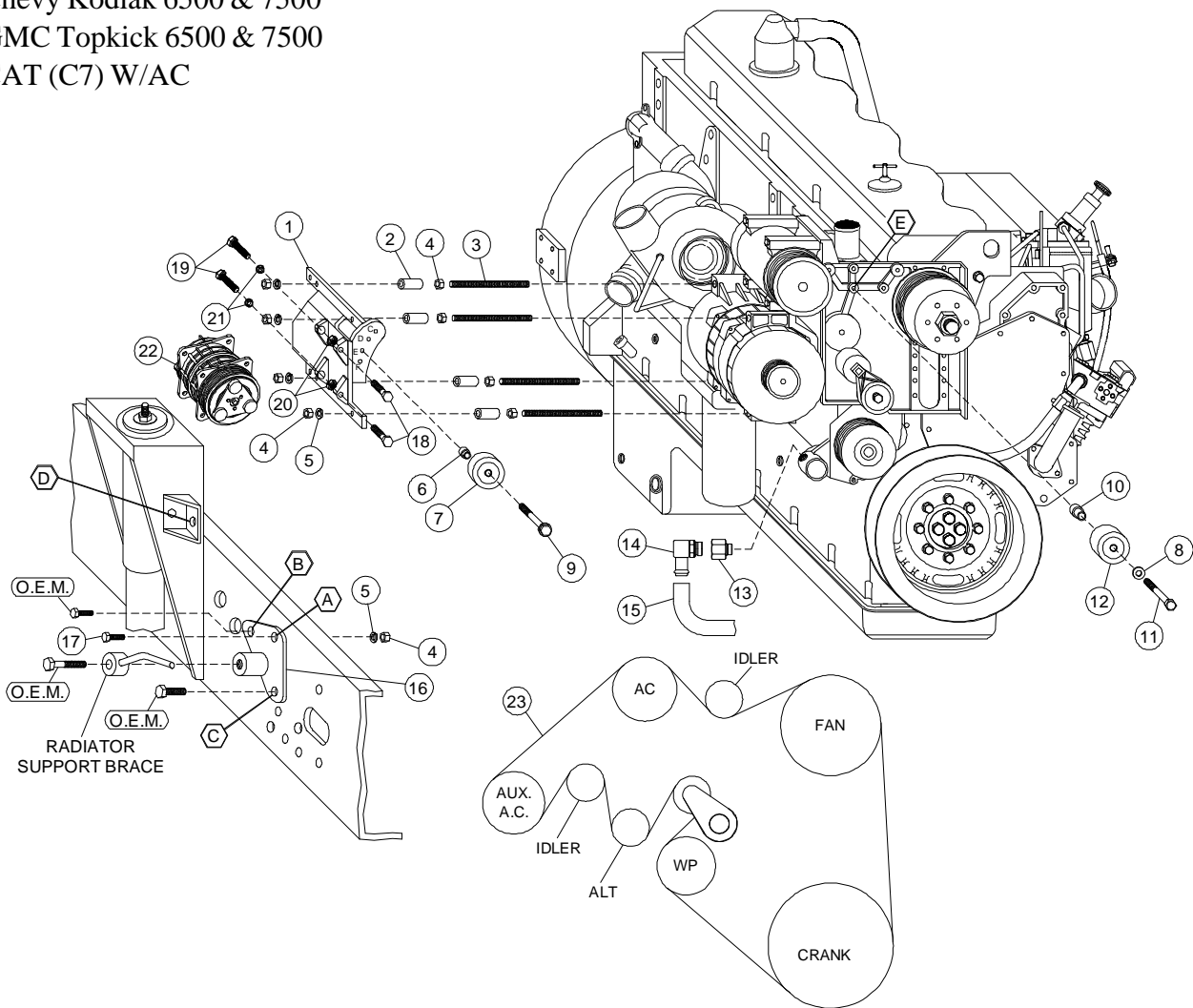
CMK 74SD508-I8

2004-09

Chevy Kodiak 6500 & 7500

GMC Topkick 6500 & 7500

CAT (C7) W/AC



BELT DIAGRAM

PARTS LIST

- | | |
|--------------------------------|---------------------------------------|
| 1. FMP 93SD508-I8 (1) | 15. 1" Hose (1) |
| 2. SP 100-1.340 (4) | 16. CMB 742 (1) |
| 3. 10mm x 180mm Stud (4) | 17. 10mm x 45mm Bolt (1) |
| 4. 10mm Nut (9) | 18. 10mm x 30mm Flange (2) |
| 5. 10mm LW (5) | 19. 10mm x 40mm Flange (2) |
| 6. FMB 935 (1) | 20. 10mm Flange Nut (2) |
| 7. 89016 (1) | 21. 1255-0090 Slide Bushing |
| 8. 3/8 FW (1) | 22. A.C. Compressor (Sold Separately) |
| 9. 10mm x 40mm Flange Bolt (1) | 23. 5081080 Dayco |
| 10. CMB 741 (1) | 24. 1-1/2" Odel Clamp (4) |
| 11. 10mm x 60mm Bolt (1) | 25. 1/4-20 x 1" Bolt (4) |
| 12. IPCD-3.0 (1) | 26. 1/4-20 Nut (4) |
| 13. 6410-10-12 Adapter (1) | 27. 1/4 LW (4) |
| 14. 4601-16-12 Hose Insert (1) | 28. 1/4 FW (8) |