



CW MILL EQUIPMENT CO., INC.
P.O. Box 246 • Sabetha, Kansas 66534
(785) 284-3454 • FAX (785) 284-3601

CMK82 -2 Belts
1980-89 CHEVY TRUCK
C-60,70,Kodiak
8.2 Diesel WO/AC
W-W/O Air Brakes

INSTALLATION NOTES

1. Disconnect battery terminal. Remove alternator and air compressor belts.
2. The mounting bracket (1) bolts to the cast iron alternator bracket. Remove alternator adjusting bracket and two belts on front of alternator bracket. Attach bracket (1) with two bolts (3) and lockwashers (5). Place alternator adjusting bracket between two tabs on pump bracket and install bolts (4) into threaded tab on alternator bracket, one in front and back. Secure bolts.
3. Attach clutch pump to pump plate (2) with bolts provided. Install pump plate to bracket (1) with bolts (6 & 7).
4. Align clutch pump with inside and middle grooves on water pump pulley. Secure pump bolts.
5. **WITHOUT Air Compressor:** Use belts (11) around crankshaft, water pump and clutch pump. Move alternator belt to outside groove.

WITH Air Compressor: Use belt (11) around crankshaft, water pump and clutch pump, tension clutch pump belt. On middle groove use belt (12) around crankshaft, water pump and clutch pump and alternator. Adjust alternator to tension belt. Outside groove drives air compressor. Connect battery.

NOTE: It may be necessary to remove heater hoses, radiator hose, and drain cooling system to install bracket.

NOTE: It may be necessary to slightly grind alternator rib for tab clearance at location "D".

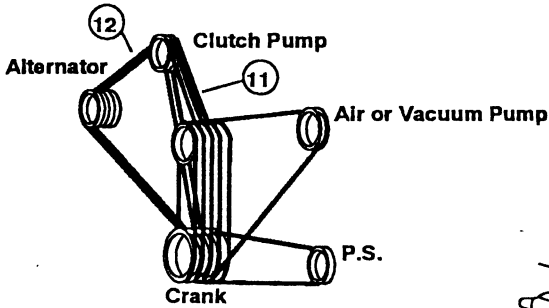
CAUTION: Check all engine compartment hoses and electrical wiring that may have been disturbed or re-routed during kit installation to be sure that hoses are not kinked, that they do not touch any high temperature items, and that they do not interfere with any linkage components.

CMK 82- 2 Belts

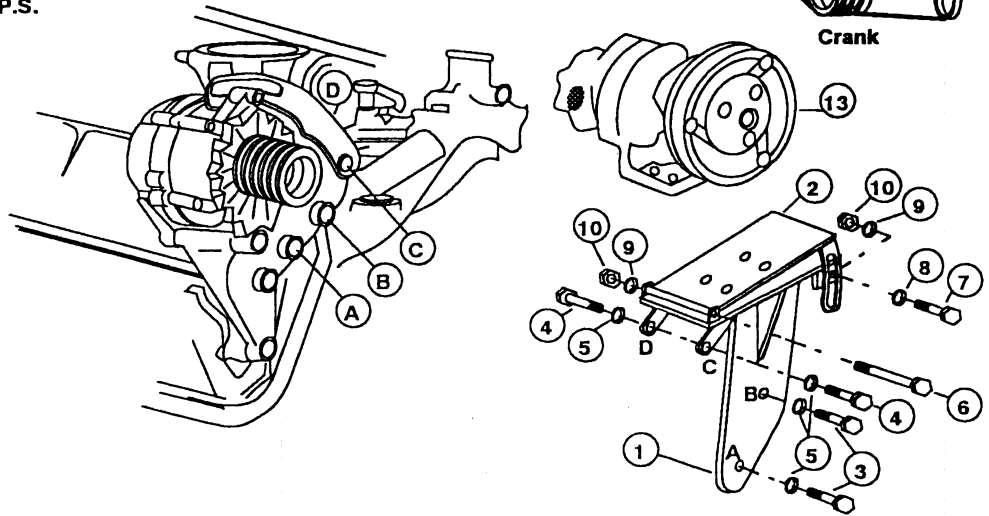
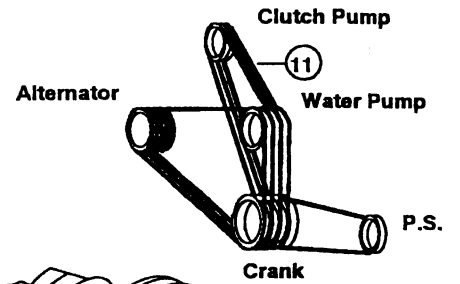
1980-89 CHEVY C-60, 70, Kodiak

8.2 Diesel WO/AC, W-WO/ Air Brakes

W/Air or Vacuum Pump



WO/Air or Vacuum Pump



PARTS LIST

- | | |
|------------------------|--|
| 1. CMB 821 (1) | 8. 3/8 FW (1) |
| 2. CMP 82 (0-4) (1) | 9. 3/8 LW (2) |
| 3. 10mm X 60mm 1.5 (2) | 10. 3/8 NC (2) |
| 4. 10mm X 35mm 1.5 (2) | 11. AX-72 (2) WO/AIR (#2-AX-71,#4-AX-70) |
| 5. 10mm LW (4) | 12. AX-78 (1) W/AIR (#2-AX-77,#4-AX-77) |
| 6. 3/8 X 4-1/2 NC (1) | 13. Clutch Pump Assembly (1) |
| 7. 3/8 X 1-1/2 NC (5) | (Sold Separately) |