



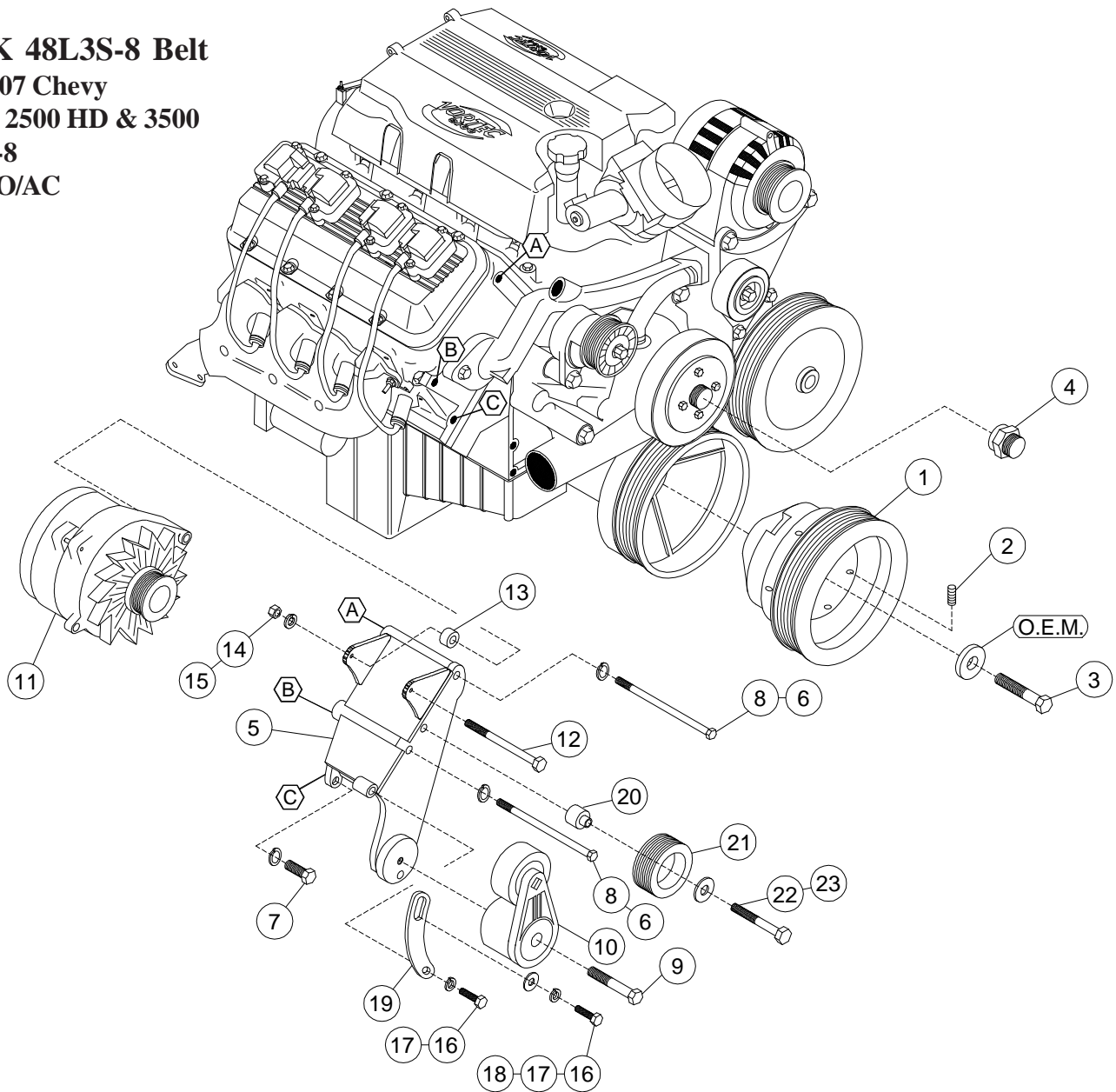
CW MILL EQUIPMENT CO., INC.
P.O. Box 246 • Sabetha, Kansas 66534
(785) 284-3454 • FAX (785) 284-3601

CMK 48L3S -8 Belt
2001-07 CHEVY
C&K 2500HD & 3500
8.1, V-8
W-WO/AC

INSTALLATION NOTES

1. Disconnect the negative battery cable. Remove the air intake duct. Remove the top half of the fan shroud and the fan. The fan nut has right hand threads. Remove the heater hose standoff from the front of the passenger side cylinder head and discard.
2. Remove the bolt and washer from the damper. Install the washer onto bolt (3). Using a mild grade of loctite, install the six allen head set screws (2) into the drive pulley from the inside until they are flush with the outside of the pulley. Install the drive pulley into the damper using bolt (3). Tighten bolt (3) finger tight. Making sure the drive pulley pilot is engaged into the damper, turn the pulley counter clockwise until it hits against the damper spokes. Torque bolt (3) to 210 ft./lbs.. Tighten the allen head set screws in a crossing pattern starting at 10 in lbs., 10 ft./lbs., 15 ft./lbs. and then 20 ft./lbs.
3. Install the bracket (5) onto the engine with bolts (6 & 7), and lockwashers (8) at locations "A,B&C". Tighten bolts securely. Install the alternator (11) using bolts (12,16), nut (15), lockwashers (14,17), flatwasher (18), spacer (13), and slide (19).
4. Install tensioner (10) using bolt (9), tighten. Install idler (21) onto bracket (5) using bolt (22) and flatwasher (23). Install the 8-groove belt (11).
5. Install fan spacer nut (4), fan and the top half of the fan shroud. Using a hacksaw, cut the resonator off the air intake duct as close to the main tube as possible. Using a piece of plastic from the resonator, cut out a piece just larger than the hole in the duct. Attach that piece to the air duct with RTV sealer or it's equivalent. Once the sealer is setup, wrap the duct with black pliable tape two or three layers thick. Install the duct onto the engine and check to make sure it clears the alternator. Connect battery cable.
6. Check all hoses, wires, etc. that may have been rerouted during installation for proper clearance of any moving or hot parts.

CMK 48L3S-8 Belt
2001-07 Chevy
C&K 2500 HD & 3500
8.1 V-8
W-WO/AC



- | | |
|----------------------------------|-----------------------|
| 1. CPC488A (1) | 13.SP 88-.500 (1) |
| 2. 3/8 x 3/4 NC Set Screw (6) | 14. 7/16 LW (1) |
| 3. 16mm x 80mm 1.5 (1) | 15. 7/16 FW (1) |
| 4. FSK 37R (1) | 16. 3/8 x 1 1/4 (2) |
| 5. CMP 48L3S (1) | 17. 3/8 LW (2) |
| 6. 10mm x 150mm 1.5 (2) | 18. 3/8 FW (1) |
| 7. 10mm x 30mm 1.5 (1) | 19. L3SB3 |
| 8. 10mm LW (3) | 20. CMB 482 (1) |
| 9. 10mm x 80mm 1.5 (1) | 21. GPCD 8 |
| 10. Dayco 89200B Assembly (1) | 22. 12mm x 65mm (1) |
| 11. alternator (sold separately) | 23. 12mm FW (1) |
| 12. 7/16 x 5 (1) | 24. Dayco 5080537 (1) |