



**CW MILL EQUIPMENT CO., INC.**  
**P.O. Box 246 • Sabetha, Kansas 66534**  
**( 785) 284-3454 • FAX (785) 284-3601**

## **CMK66L3S-I6**

1996-99 Chevy  
C & K 2500,3500, HD  
2000 & 2001 3500 HD  
1996-2004 Hummer H1  
6.5 Diesel W-WO/AC, WO Dual Alt.

### **INSTALLATION NOTES**

---

1. Disconnect the negative battery cables. Remove the upper radiator hose rest. Remove the engine accessory drive belt.
2. Cut the hose rest as shown in the illustration, then install bracket (1) with the hose rest onto the powersteering/AC bracket with bolts (2) at locations A,B,&C, and bolt (3) at location D. Torque bolts to 40 ft. lbs.
3. Install alternator (7) onto bracket (1) using bolt (8) spacer (9) LW (10) & nut (11) thru the spool end of the alternator, and bolt (12) in w/LW (13) thru the other end. Tighten bolts securely.
4. Install idler (5) with bushing (4) & bolt (6) to the inside tapped hole of bracket (1). Install the serpentine belt and route it as shown in the illustration. If the belt is too short, move idler (5) to the outside tapped hole.
5. Connect the battery cables. Run the engine and check for proper belt tracking. Adjust if necessary.

# CMK66L3S-I6

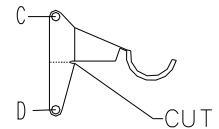
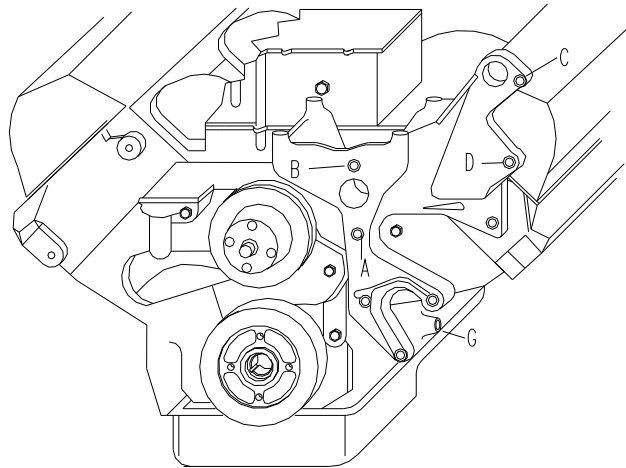
1996-99 Chevy

C & K 2500,3500, HD

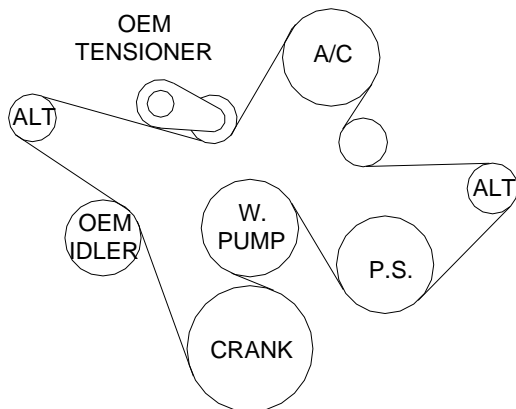
2000 & 2001 3500 HD

1996-2004 Hummer H1

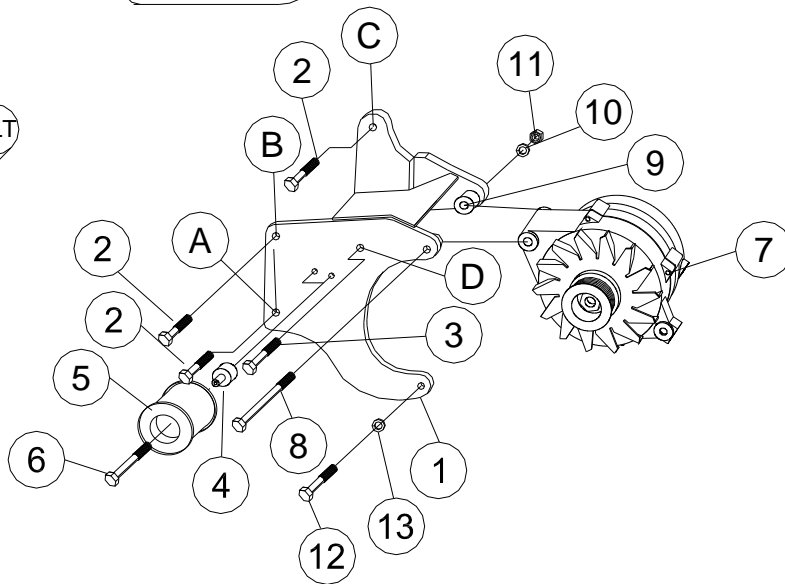
6.5 Diesel W-WO/AC, WO Dual Alt.



RAD. HOSE  
BRACE OVER  
BRACKET (1)



BELT ROUTING 2001



## PARTS LIST

- |                                  |                          |
|----------------------------------|--------------------------|
| 1. CMB66L3S-I6 (1)               | 8. 7/16 X 5 NC Bolt (1)  |
| 2. 10mm X 30mm Flange Bolt (3)   | 9. SP100-438 (1)         |
| 3. 10mm X 80mm Flange Bolt (1)   | 10. 7/16 LW (1)          |
| 4. CMB 3867 (1)                  | 11. 7/16 NC Nut (1)      |
| 5. 89007 Dayco (1)               | 12. 3/8 X 1-1/2 Bolt (1) |
| 6. 10 mm X 40 mm Flange Bolt (1) | 13. 3/8 LW (1)           |
| 7. Alternator Sold Separatly     | 14. 5061115 Dayco (1)    |