



CWMILL EQUIPMENT CO., INC.
P.O. Box 246 • Sabetha, Kansas 66534
(785) 284-3454 • FAX (785) 284-3601

CMK 69L3S-I6 Belt

2001-09 CHEVY
C&K 2500HD & 3500
6.6, V-8 Duramax Diesel
W/O Dual Alternator
W-W/O Vacuum Pump
W-W/O AC

INSTALLATION NOTES

1. Disconnect the negative battery cable. Disconnect the wires to the module mounted on the fan shroud. Remove the module, fan shroud, and fan from the truck. (Fan nut has right hand threads). Remove the O.E.M. accessory drive belt.
2. Remove the four bolts holding the A/C compressor to the A/C bracket. Place the two spacers (4) under the A/C compressor at the two holes to the inside. Install bolts and flatwashers (10 & 11) into those two holes loosely. Install the alternator onto bracket (2) with bolts (15,20), spacer (16), nut (18), lockwashers (17,21), slide (19) and flatwasher (22). Install bracket and pump assembly (2) under the A/C compressor with bolts and flatwashers (10 & 11) at locations "A & B", and bolts (7) with lockwashers (12) at locations "C & D". Do Not Tighten.
3. Install the idler assembly on the backside of bracket using the bottom slot for 2001 model trucks, and the top slot for 2002 models. Do not tighten. Install the belt around the A/C and alternator pulley before installing bracket (1). Remove the three bolts holding the P/S pump plate to the aluminum bracket at locations "E, F & G". Install bracket (1) using bolts (7 & 8), with lockwashers (12) and spacers (3). Tighten all bolts very lightly, and then tighten them securely.
4. Install the belt onto all the idlers and pulleys as shown in the diagram. Retract the tensioner and slide the idler (6) down until it takes up most of the belt slack, tighten the idler bolt and release the tensioner.
5. Replace the fan, shroud and module back onto the vehicle. Reconnect the module and the battery cable. Run the engine to make sure the belt tracks properly and nothing comes in contact with any moving parts. Adjust if necessary.

NOTE: This kit only requires one belt, the extra belt is to be placed in the vehicle for future use because this belt is not available over the counter.

CAUTION: Check all engine compartment vacuum hoses and electrical wiring that may have been disturbed or re-routed during kit installation to be sure that hoses are not kinked, that they do not touch any high temperature item, and that they do not interfere with any linkage components.

CMK 69L3S-I6 Belt

2001-09 Chevy

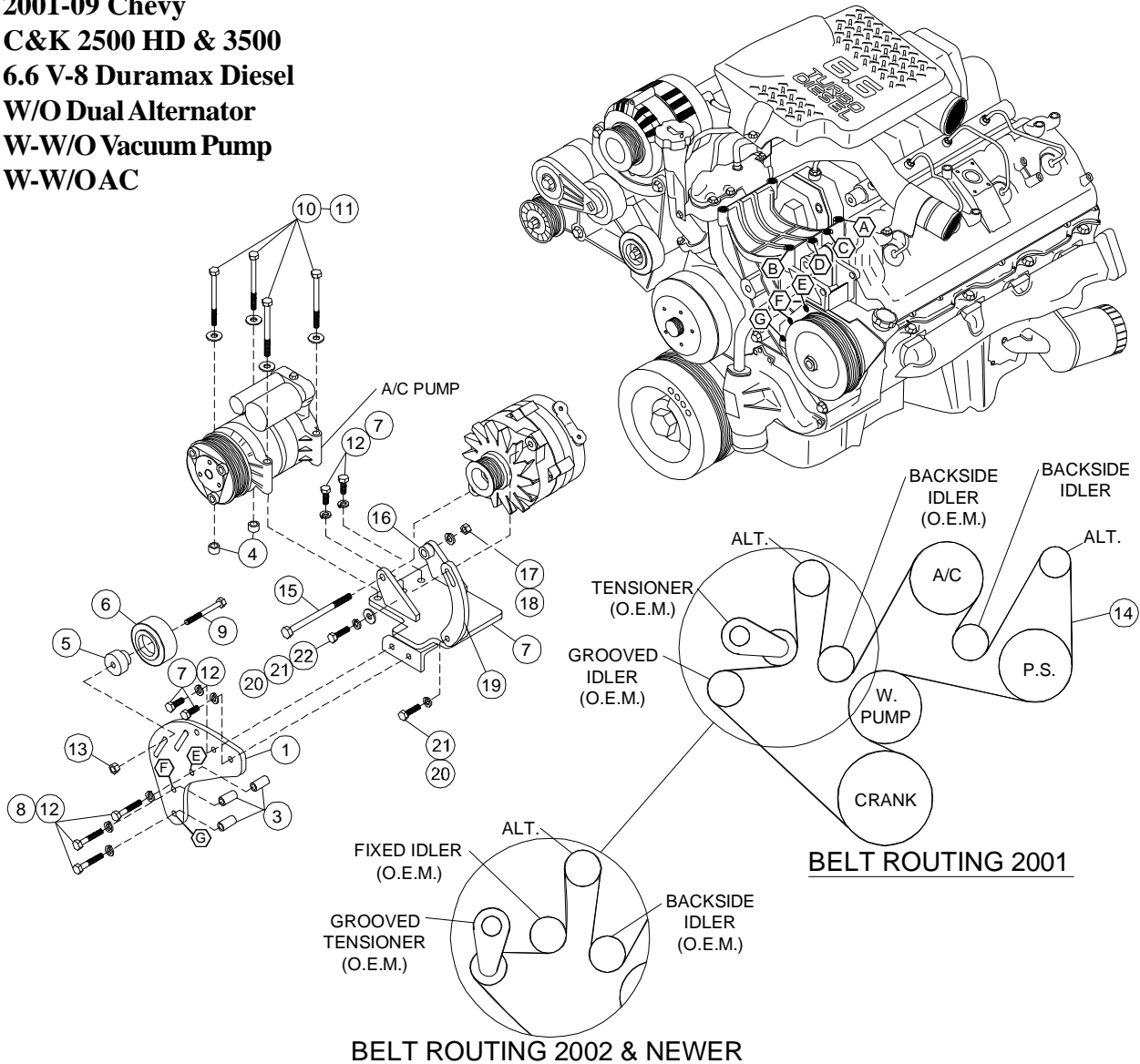
C&K 2500 HD & 3500

6.6 V-8 Duramax Diesel

W/O Dual Alternator

W-W/O Vacuum Pump

W-W/OAC



PARTS LIST

- | | |
|--------------------------------|--------------------------|
| 1. CMB 691 (1) | 12. 10mm LW (7) |
| 2. CMP 68(0-4) (1) | 13. 10mm Flange Nut (1) |
| 3. SP64-1.500 (3) | 14. 5061380 (2) |
| 4. SP88-0.375 (2) | 15. 7/16 x 5 Bolt (1) |
| 5. CMB 672 (1) | 16. SP88-0.500 (1) |
| 6. 89007 Dayco (1) | 17. 7/16 LW (1) |
| 7. 10mm x 25mm 10.9 (4) | 18. 7/16 Nut (1) |
| 8. 10mm x 90mm 10.9 (3) | 19. L3S-B3 (1) |
| 9. 10mm x 50mm Flange Bolt (1) | 20. 3/8 x 1-1/4 Bolt (2) |
| 10. 10mm x 100mm (4) | 21. 3/8 LW (2) |
| 11. 10mm FW (4) | 22. 3/8 FW (1) |