



**VFK39J180-6**

2015-2017

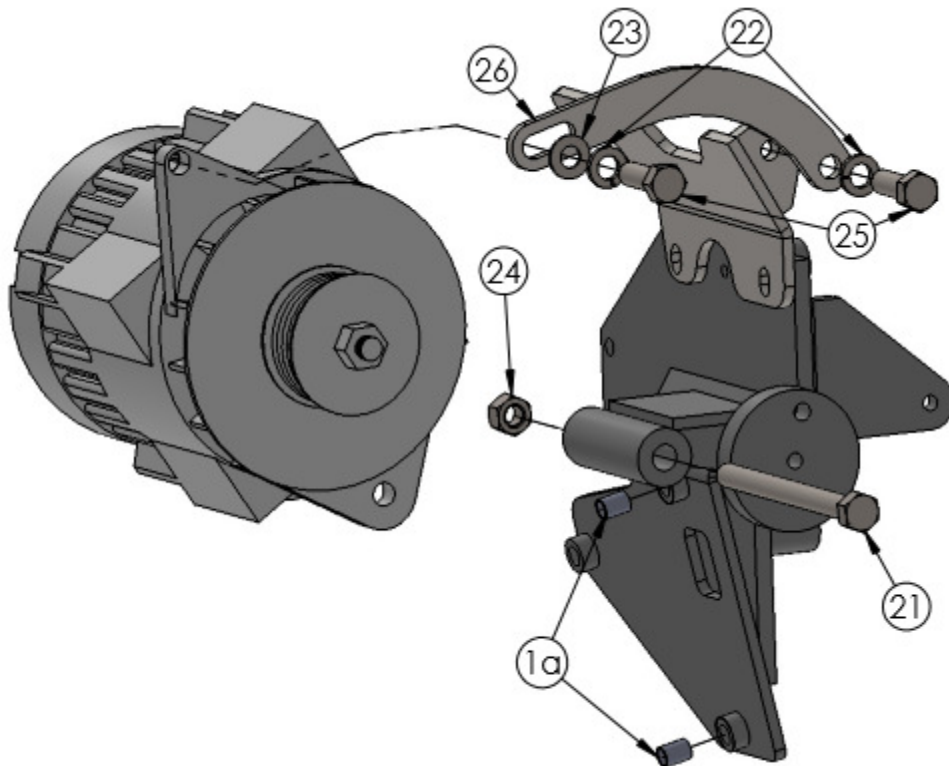
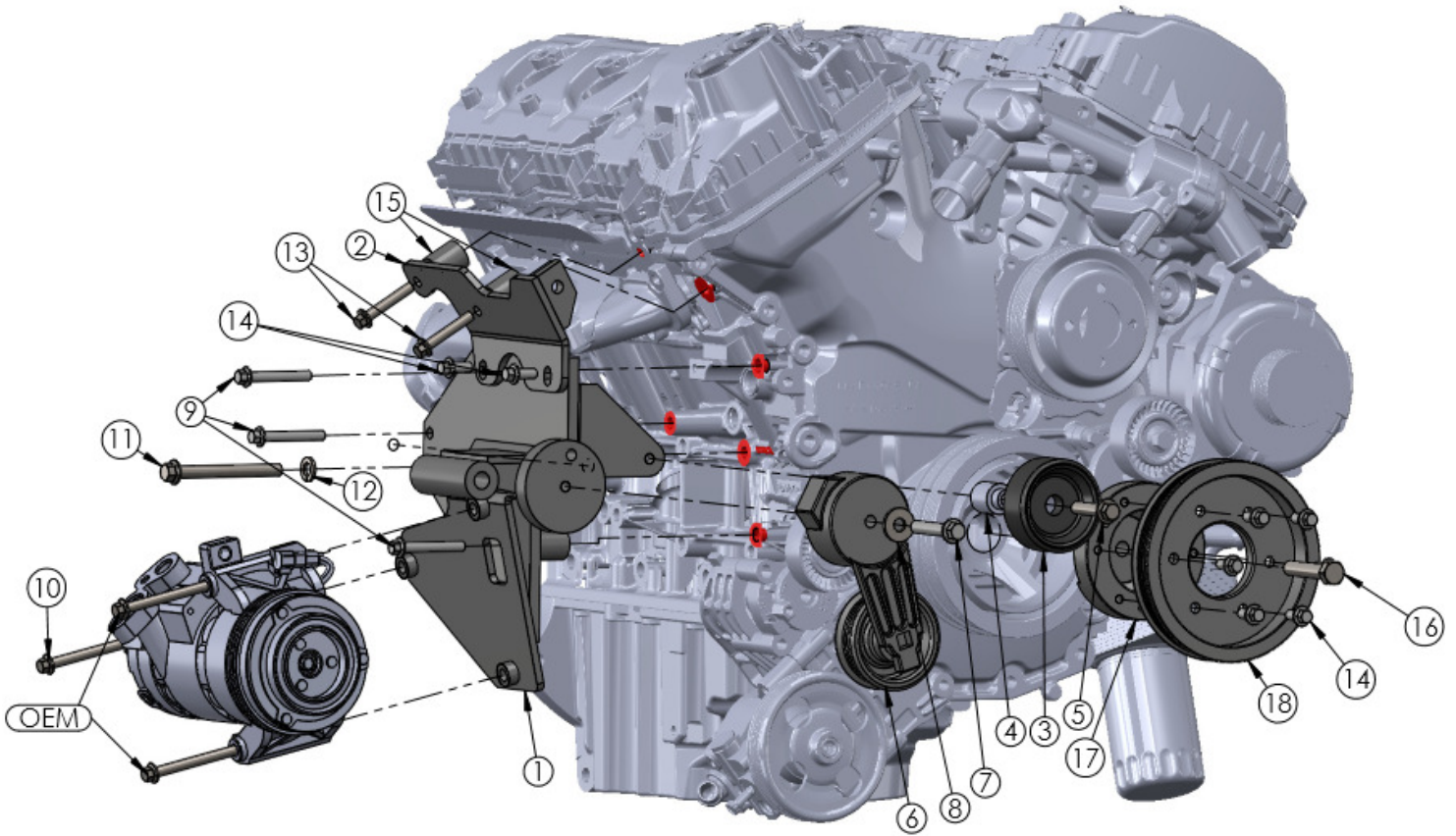
FORD

TRANSIT

3.7L V6 GAS

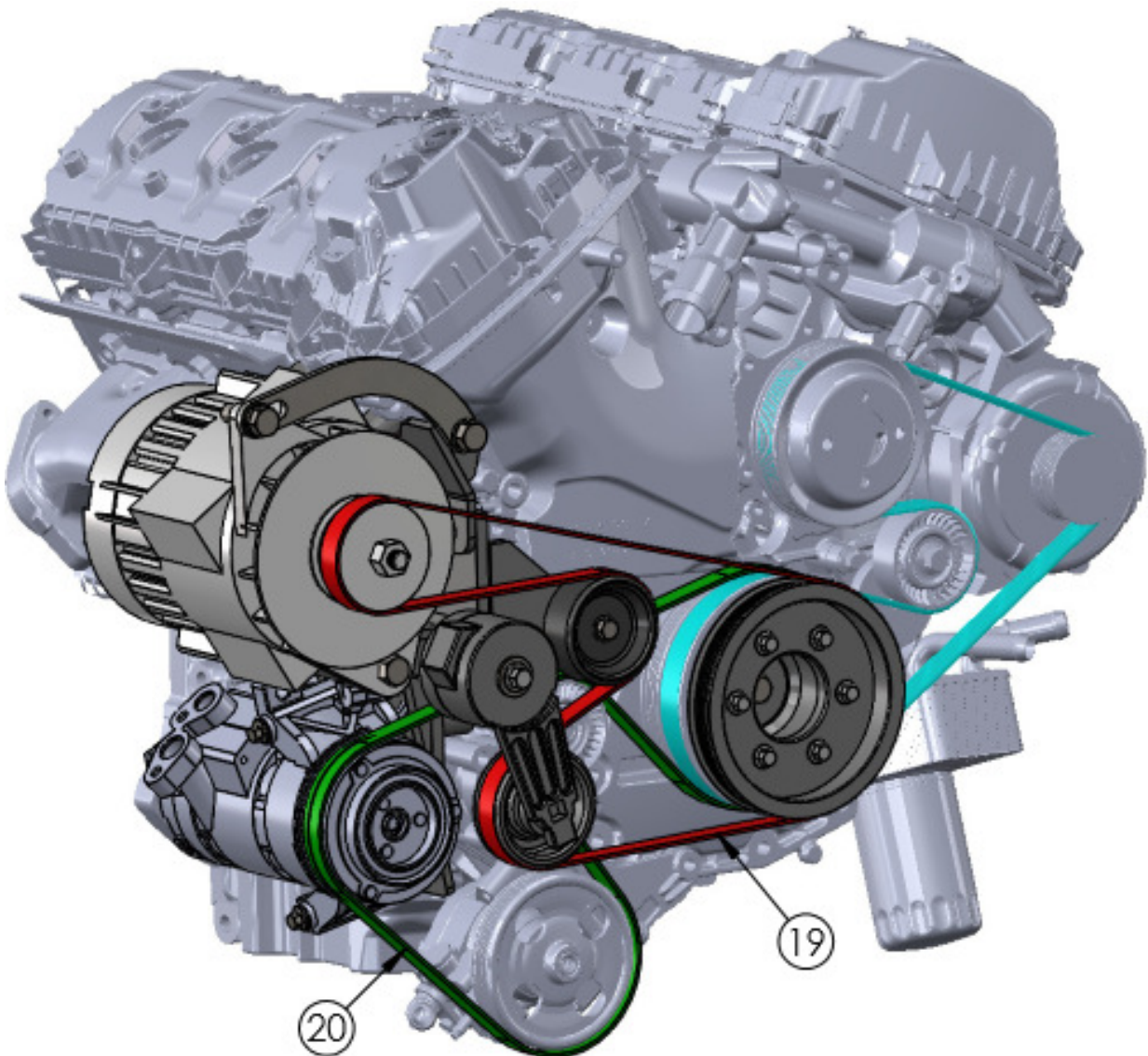
## INSTALLATION NOTES

1. Be sure to read and understand all available information including but not limited to instructions, warnings, sale terms, and warranties for the vehicle and all system components prior to attempting installation.
2. Disconnect negative battery cable. Battery is under driver's seat.
3. Drain engine coolant. Radiator drain is on the lower driver's side of radiator.
4. Remove upper radiator hose.
5. From under the vehicle, remove the rubber hose going from the power steering pump up to the power steering reservoir. Once the power steering fluid has drained, remove the hose at the reservoir. This hose will not be reused.
6. Remove both poly-v belts from the engine. The 6-groove belt will be reused. The 4-groove belt will not be reused.
7. Remove the three bolts holding the A/C compressor to the engine. The rearward bolt will be replaced with a shorter bolt included in the kit.
8. Remove the engine damper bolt. Tools can be purchased separately to hold the damper while removing and installing the damper bolt.
9. **Caution: There are two different lengths of harmonic balancer bolts! Install the pulley adaptor using the 12mm x 65mm bolt or the 12mm x 110mm bolt depending on which one is needed.** With the bolt installed but not tight, rotate the adaptor counter clockwise until the pins hit the spokes of the damper. Bolt the install wrench to the adaptor with two 8mm flange bolts to hold the damper from turning, and then torque the damper bolt to 100 ft. lbs. Remove the wrench and install the pulley onto the adaptor with six 8mm x 20mm flange bolts (14).
10. Install the main bracket onto the engine at the three A/C locations with three 8mm x 70mm bolts (9), and one 10mm x 110mm bolt (11). Tighten all bolts securely.
11. Install upper brace with two 1.125" spacers (15), two 8mm x 20mm bolts (14), and two 8mm x 50mm bolts (13). Tighten all bolts evenly.
12. Install the OE A/C compressor onto the new bracket with the two original bolts in front and one 8mm x 110mm bolt in the back. Tighten bolts securely.
13. Install the auxiliary alternator with bolts provided in the kit.
14. Install the tensioner and idler onto the bracket.



15. Install the belt as shown in the belt routing.
16. Using the hose supplied in the kit, connect the power steering pump to the power steering reservoir. Secure the hose away from any hot or moving parts. Refill with approved fluid.
17. Install the curved coolant hose included in the kit onto the radiator. Cut the OEM hose at the proper location to connect the two hoses using the coupler provided. Secure the hose to keep it away from the clutch.
18. Refill the coolant reservoir. Run the engine and check for proper belt tracking.

**CAUTION:** Make sure all hose and wires that were disturbed or rerouted during the install are clear of any hot or moving parts.





# VFK39J180-6

2015-2017

FORD

TRANSIT

3.7L V6 GAS

## PARTS LIST

1. VFMP39J180-6 (1)
    - a. BUSHING 1018215
  2. VFB390 (1)
  3. 89007 (1)
  4. VFMB392 (1)
  5. 10X50MM FLG BOLT
  6. 89203-051M TENSIONER (1)
  7. 10X60MM FLG BOLT (1)
  8. 10MM FLT WASHER (1)
  9. 8X70MM FLG BOLT (3)
  10. 8X110MM FLG BOLT (1)
  11. 10X110MM BOLT (1)
  12. 10MM LCK WASHER (1)
  13. 8X50MM FLG BOLT (2)
  14. 8X20MM FLG BOLT (10)
  15. VFMB391 SPACER (2)
  16. 12X65MM BOLT (1)
  17. VFPA376 PULLEY ADAPTER (1)
  18. VFPC376-7.5 PULLEY (1)
  19. BELT K060586 (1)
  20. BELT 5040580 (1)
  21. 1/2X6 BOLT (1)
  22. 1/2 LOCK WASHER (2)
  23. 7/16 FLAT WASHER (1)
  24. 1/2 NUT (1)
  25. 1/2X1.5 BOLT (2)
  26. ALTERNATOR BRACE (1)
- PARTS 27-32 NOT SHOWN**
27. 36X5/8 OIL HOSE (1)
  28. DAYCO 72010 HOSE (1)
  29. 5/8 HOSE BARB (1)
  30. #10 HOSE CLAMP (3)
  31. VFMB393 1-1/4 HOSE BARB (1)
  32. #20 HOSE CLAMP (3)

Disclaimer: (1.) Due to the custom nature and variation of all add-on systems of this type, no complete system kits are offered by the manufacturer, and any group of parts marketed as a kit is limited to only the individually defined parts in that specific kit. The system designer's rotating accessory components are not included, offered, or fully known by the manufacturer. In addition to the absence of the rotating accessory system, other potential components such as additional clamps, brackets, wear liners, hardware, or other items that may be required by the system designer must be identified and supplied by the actual system designer. (2.) Due to vehicle manufacturer's assembly tolerances, production changes, and installation variances, it is the buyer's responsibility to insure adequate clearance for all components including space for and safe location of the fan, radiator, all lines, and wires. Check for possible movement, vibration, friction points, heat exposure and/or shifting of any and all components such as hoses, wires, and all other components including those that may otherwise be considered non-moving and/or unaffected by the installation (3.) The buyer is responsible for the entire installation of a mounting kit as the mounting kit as the mounting kit is part of a custom process controlled by the buyer through their whole system design and directed installer as the installer evaluates, locates, routes, aligns, and tightens all components while determining if additional clamps, brackets, wear-liners, or other components may be required, beyond those included in the kit. Any additional items required, beyond those included in the kit, are to be provided at the expense of the buyer. (4.) the buyer is responsible for the development and communication of their whole system installation procedures, safety precautions, application, and use of the engine accessory mounting kit in their system, including efforts to maintain vehicle control and prevent pinch, wear, impact, and/or burn exposure on all hoses, wires, and other parts. (5.) The buyer is responsible for providing trained and experienced installation decision making with technical know-how to apply professional judgment that specifically applies to each individual installation. The buyers chosen installers must be qualified and experienced technicians that are familiar with the vehicle and accessory being mounted as well as the buyer's whole system design and installation procedures associated with the kit. (6.) The buyer is responsible for determining and achieving compliance to all regulatory issues that apply to the use of all products. (7.) The manufacturer reserves the right to make changes and/or improvements to any product at any time with or without notice.