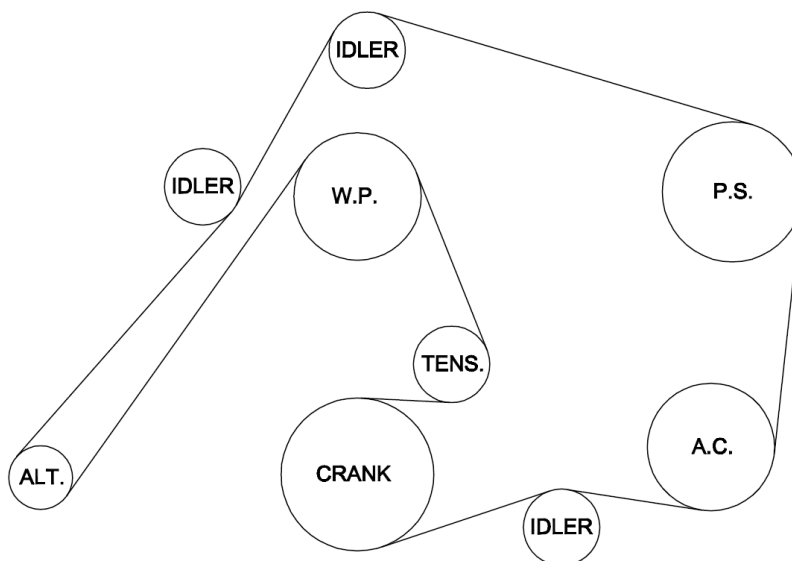


INSTALLATION NOTES

1. Remove the factory belt. Use the spanner wrench (sold separately) to remove the crank pulley bolts and remove the crank pulley. Slide pulley adapter (1) into crank pulley. Install adapter and crank pulley back onto engine with bolts (2) using the second spanner wrench (sold separately). Torque to 100ft./lbs.. Install the pulley (3) using bolts (4) and lock washers (5). It is suggested to cut out the shroud in the pulley area to install the pulley bolts. Reinstall the factory belt as shown in the diagram below.
2. Tap the front mounting boss on the engine using the 3/8" tap provided. Make sure the tap is straight and do not force the tap. Clean out the hole. Install the main bracket (6) using bolts (9,10) along with the brace (7) using the OEM hardware in the upper two holes of the brace. Install tensioner bracket (8) using bolts (11,17) and lock washer (12). Install the tensioner (14) using bolt (15) and flat washer (16). Install the compressor using bolts (17,18), nuts (19) and slide bushings (20). Install the new drive belt (21). Slide fan shroud up to gain access to the tensioner while installing the belt. It is not necessary to remove the fan. Reinstall fan shroud after belt is installed.

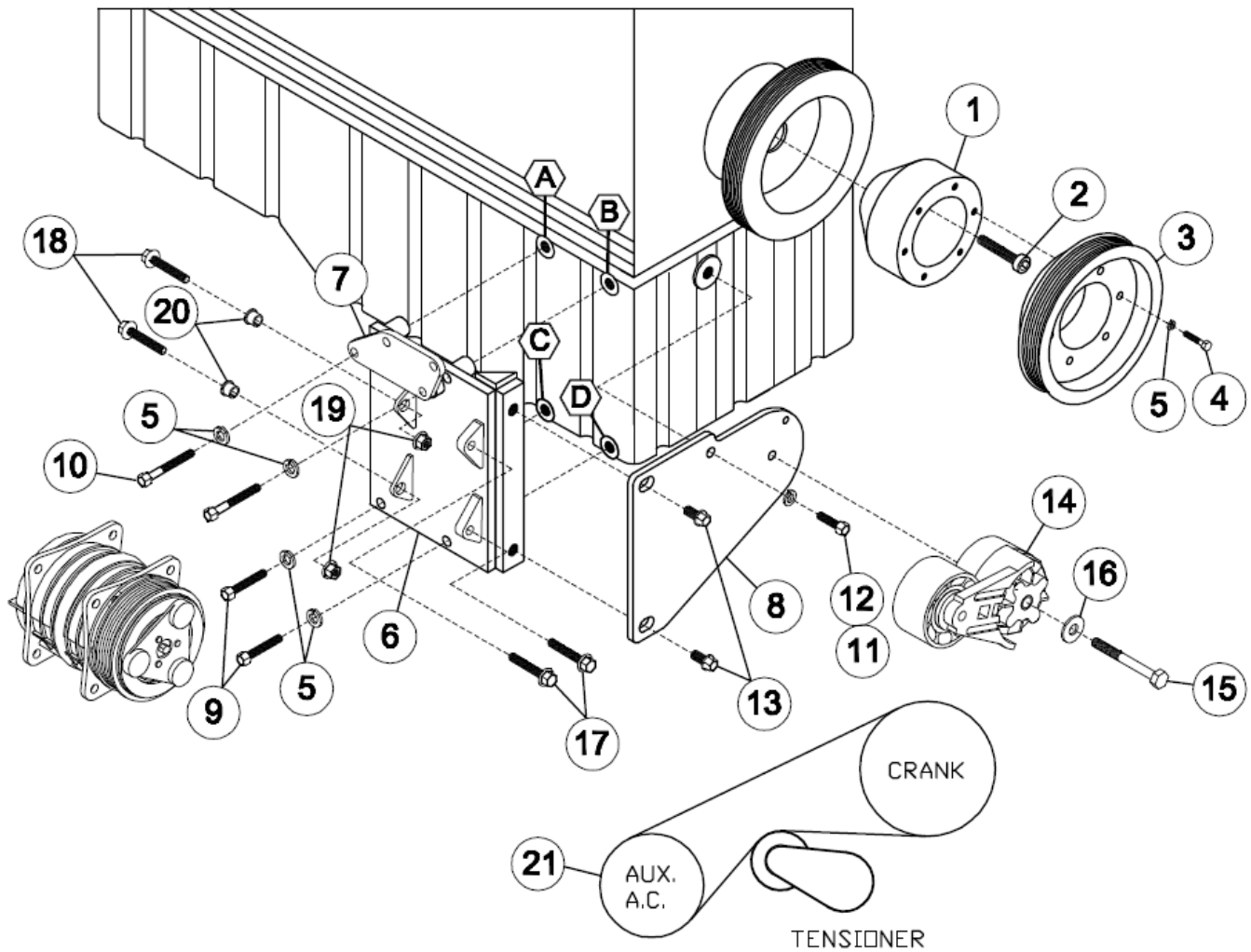


FACTORY BELT ROUTING

VFLMK24SD508-6 - 2500-3500 SPRINTER - 2.1L I4 DIESEL

2014-2017 Mercedes Van / 2014-2017 Freightliner Van

For use W-WO AC / Wrenches are available and suggested for removal and retorquing crank pulley bolts,
Part #'s VFL24WR-1 & VFL24WR-2. These are sold separately. Requires 6 groove clutch.



PARTS LIST

- | | |
|-------------------------------|---------------------------------|
| 1. VFLPA24 (1) | 12. 3/8" LW (1) |
| 2. 12mm x 80mm /1.5 /12.9 (4) | 13. 10mm x 20mm Flange (2) |
| 3. VFLPC246-6.0 (1) | 14. 89200D (1) |
| 4. 8mm x 45mm (6) | 15. 10mm x 75mm (1) |
| 5. 8mm LW (10) | 16. 3/8" FW (1) |
| 6. VFLMP24SD508-6 (1) | 17. 10mm x 30mm Flange (2) |
| 7. VFLMB241 (1) | 18. 10mm x 40mm Flange (2) |
| 8. VFLMB242 (1) | 19. 10mm Flange Nut (2) |
| 9. 8mm x 60mm (2) | 20. 1255-0090 Slide Bushing (2) |
| 10. 8mm x 70mm (2) | 21. 5060460 Dayco (1) |
| 11. 3/8" x 3/4" (1) | 22. 3/8"-16 Tap (1) |