



CW MILL EQUIPMENT CO., INC.  
P.O. Box 246 • Sabetha, Kansas 66534  
(785) 284-3454 • FAX (785) 284-3601

## CMK4892V-I6

2001-2006 C&K 2500HD-3500  
2003-2006 C&K 3500HD  
8.1L V8 Gas w/-w/o AC

### INSTALLATION NOTES

---

1. Disconnect the negative battery cable. Remove the air intake duct. Removing the fan shroud and fan is not necessary, but does make installation easier. Fan nut has right hand threads. Remove the heater hose standoff from the front of the passenger side cylinder head. Remove the O.E.M. belt and tensioner, they will not be reused.
2. Install the alternator bracket (1) onto the engine at locations A, B, & C with bolts (2) & LW's (3). Torque to 35 ft. lbs. Install the grooved idler (5) & spacer (4) onto the bracket at location D with bolt (7) and flat washer (6). Install the tensioner (11) with bolt (12) and torque to 25-30 ft. lbs. Install air cleaner support (8) onto bracket with bolts (10) and lockwashers (9). Install the alternator onto the bracket (1) with bolts (13) and slide bushings (14).
3. Install the new belt (15) and route it according to the diagram. It is easiest to install the belt over the O.E.M. backside idler last. Install the fan and fan shroud if removed.
4. If necessary use a hacksaw to cut the resonator from the air duct as close to the main tube as possible. Cut out a piece of plastic from the resonator approximately one-half inch larger in diameter than the hole in the duct. Attach that piece of plastic to the air duct with RTV sealer or its equivalent. Small screws or rivets may be used to hold the piece in place. Once the sealer has set up, wrap the duct with several layers of quality black pliable tape. Install the duct using bolts (17), spacers (16), lockwashers (19), and flatwashers (18). onto the vehicle and check to make sure it clears the alternator.
5. Reconnect the battery cable. Run the engine and check for proper belt tracking.

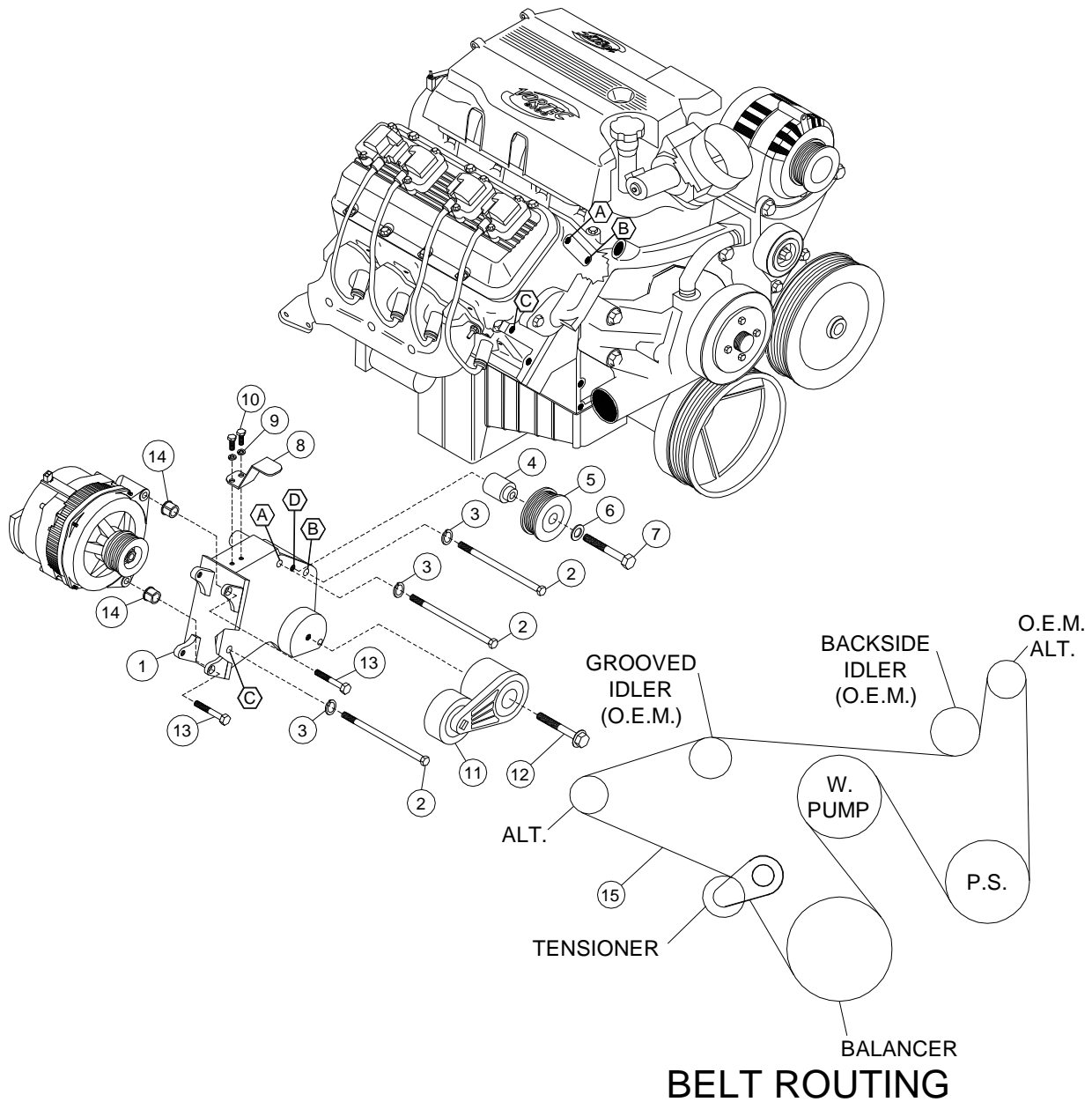
**NOTE:** Check all engine compartment vacuum hoses and electrical wiring that may have been disturbed or re-routed during kit installation to be sure that hoses are not kinked, do not touch any high temperature item, and do not interfere with any linkage components.

# CMK4892V-I6

2001-2006 C&K 2500HD-3500

2003-2006 C&K 3500HD

8.1L V8 Gas w/-w/o AC



## PARTS LIST

- |                         |  |
|-------------------------|--|
| 1. CMB 48AI6 (1)        | 12. 10mm X 60mm Flange bolt (1)              |
| 2. 10mm X 110mm (3)     | 13. 10mm x 75mm 10.9 (2)                     |
| 3. 10mm LW (3)          | 14. 1255-0090 Slide Bushing (2)              |
| 4. CMB 48A-1            | 15. K061115 Gates Belt (1)                   |
| 5. 89009 Dayco (1)      | <i>Items for air cleaner 16-19 not shown</i> |
| 6. 10mm Flat Washer (1) | 16. SP100-1.125 (2)                          |
| 7. 10mm X 60mm (1)      | 17. 6mm x 45mm (2)                           |
| 8. CMB 482 (1)          | 18. 6mm FW (2)                               |
| 9. 1/4 LW (2)           | 19. 6mm LW (2)                               |
| 10. 1/4 x 3/4 (2)       |  |
| 11. 89203-007 (1)       |  |