



CW MILL EQUIPMENT CO., INC.
P.O. BOX 246 • Sabetha, Kansas 66534
(785) 284-3454 • FAX (785) 284-3601

CMK86L3S-8-7.5

Build date 01/04 Thru 09

Chevy 6.6 Diesel

C-4500,5500

W-WO/AC, W-WO/Dual Alt.

INSTALLATION NOTES

1. Disconnect negative battery cables from the batteries located underneath the passenger side cab step. Remove the right (passenger) side inner fender. Drain the engine coolant completely. Remove the three bolts holding the diffuser to the support braces and slide it forward in the fan shroud. Remove the right hand diffuser brace from the engine. Remove the top half of the fan shroud and remove the fan. (Fan nut has right hand threads). It is advisable to place a piece of cardboard over the radiator to protect it from damage during assembly. Remove the O.E.M. serpentine belt.
2. Remove the bolt holding the harmonic balancer on the crankshaft. It will be necessary to remove the rubber plug from the bottom of the transmission bell housing and use a pry bar or other suitable tool against the flywheel to keep the engine from turning while loosening the balancer bolt. Discard the thick balancer bolt washer and install the bolt into the drive pulley (10). Install the pulley onto the balancer, making sure the pilot is engaged into the balancer hole properly. Tighten the bolt finger tight, then looking from the front of the engine, turn the pulley in a counter clockwise direction until it hits the stop. Torque the balancer bolt to 278 ft/lb. (363 N-M). Install the rubber plug back into the transmission bell housing.
3. Remove the lower radiator hose at the radiator. Cut approximately 3 to 3 1/2" from the hose and install it back onto the radiator, using clamp (33).
4. If the vehicle has an automatic transmission, remove the two transmission coolant lines from the radiator and move them aside. A small amount of transmission fluid will run out of the cooler.
5. Remove the bolt from the alternator bracket at location "B" and the rear motor mount bolt at location "C". Install the alt. bracket (1) onto the engine with bolt (4), lockwasher (5), and spacer (8) at location "A", bolt (4) and spacer (9) at location "B", and bolt (6) with lockwasher (7) at location "C". Tighten bolts evenly, then torque bolts (4) to 40 ft/lb(54 N-M), and bolt (6) to 75 ft/lb(102 N-M).
6. Install the Alt (12) onto the bracket with bolts(14,16,19), slide (13) LW's (15,17,20), FW (18), and nut (21). Tighten all bolts securely. Install the tensioner (2) onto the bracket with bolt (3). It may be necessary to trim the fan shroud slightly to clear the tensioner. Replace the O.E.M. serpentine belt, then install the drive belt (23). Install the fan spacer, fan and fan shroud. (Be sure to remove the cardboard from the radiator if it was used). Install the two diffuser spacers with 8mm x 50mm flange bolts on the top and left side braces. Install the right hand brace adapter onto the engine in the brace location using the 10mm flat head bolt and flange bolt. Tighten bolts securely. Install the right hand brace reusing the O.E.M. bolts.
7. ***AUTOMATICS ONLY:*** If equipped with an automatic transmission, the coolant hoses will need to be cut and rerouted to clear the hydraulic pump. On model 2004 trucks use a tubing cutter (not a hacksaw), cut the lower coolant tube approximately 3 inches from the radiator and install the compression fitting with hose barb adapter supplied in the kit. Install the 4 ft. 8 in. piece of 5/8 oil hose and route it around the pump to a suitable location and connect it to the other end of the coolant line. Cut the steel tube at that location and install the compression with the hose barb. Connect the hose and secure it with the Adel clamps provided. Cut off any extra hose not needed and discard. On model 2005 and later trucks use tubing cutter (not a hacksaw), cut lower coolant tube on transmission end 2 1/2 inches below 90° bend and install on radiator. Cut straight end 2 1/2 inches from radiator end and install 90° hose barb compression fitting install this to transmission. Install the 4 ft. 8 in. piece of 5/8 oil fose and route it around the pump to a suitable location and connect both ends to hose barbs. Cut off any extra hose and discard. On all model trucks cut the upper coolant hose approx. 3 inches from the 90° bend after it turns down. Install the compression fitting and hose barb. Install the 5/8 oil hose and run it down under the frame rail. Cut the transmission coolant hose under the radiator and connect the two ends together with the double ended hose barb provided in the kit. Secure the hose with the Adel clamps provided.

8. Replace the engine coolant, and top off the transmission fluid if needed. Check for any leaks after the fluids have been replaced. Run the engine and check for proper clearances to moving parts and correct belt tracking, adjust if necessary.

NOTE: Check all engine compartment hoses that may have been disturbed or rerouted during kit installation to be sure hoses are not kinked, that they do not touch any high temperature item, and that they do not touch any moving components.

NOTE: This kit is designed to operate successfully with the standard fan supplied by the manufacturer of your truck. Due to O.E.M. assembly tolerances and change, visually make certain that there is adequate clearance between fan and drive pulley and fan to radiator. It may be necessary to use a different spacer for clearance.

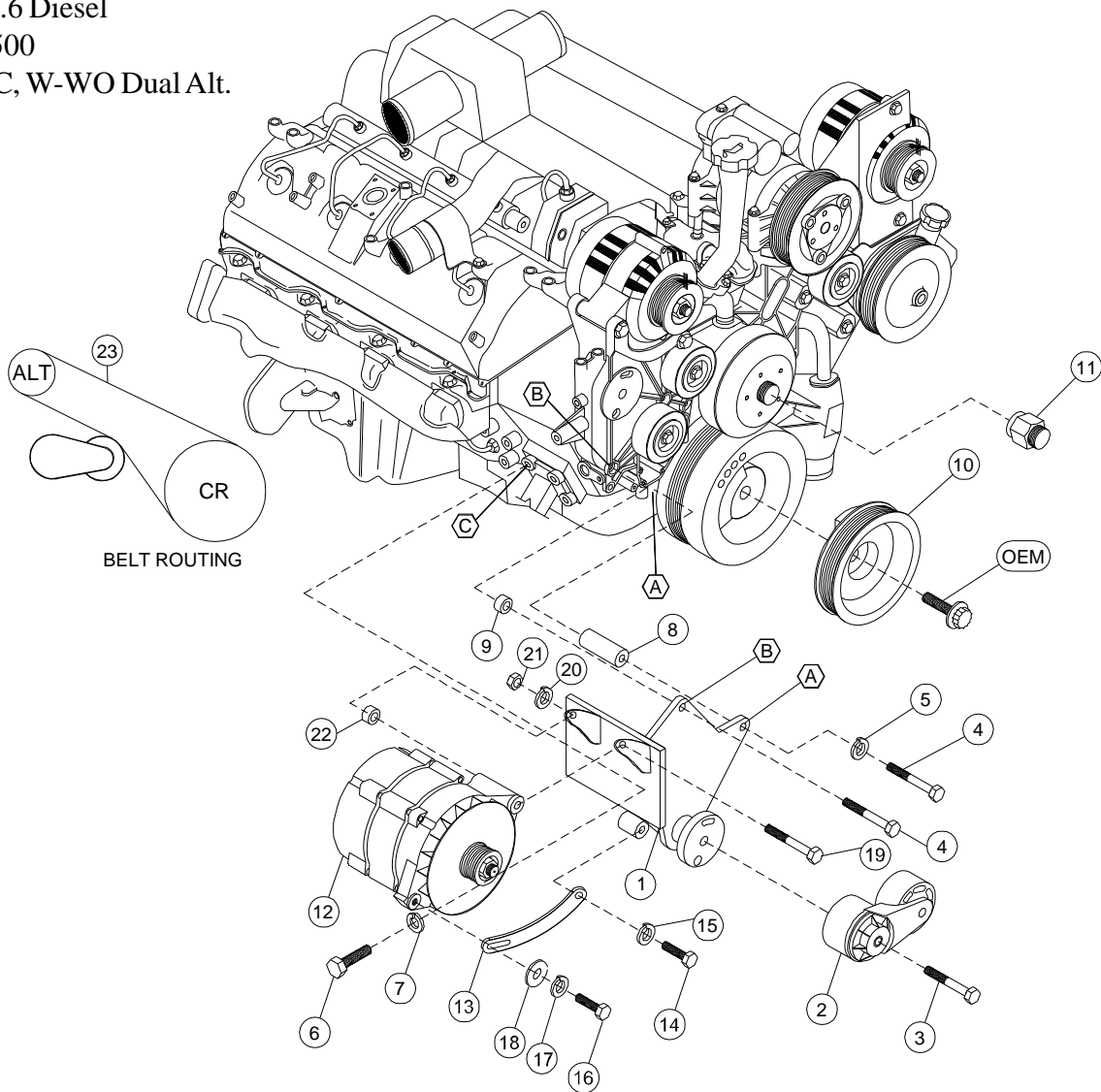
CMK86L3S-8-7.5

Build date 01/04 Thru 09

CHEVY 6.6 Diesel

C-4500,5500

W-WO/AC, W-WO Dual Alt.



PARTS LIST

- | | | |
|---|--------------------------------|------------------------------------|
| 1. CMP84L3S(1) | 14. 1/2 X 1-1/2 Bolt(1) | 26. 5/8 Compression Nut (4) |
| 2. Tensioner, Dayco 89200-B (1) | 15. 1/2LW(1) | 27. 5/8 Double Ended Hose Barb (1) |
| 3. 10mm X 80mm 1.5 (1) | 16. 3/8 X 1-1/4 Bolt(1) | 28. #14 Adel Clamps (5) |
| 4. 10mm X 90mm 1.5 (2) | 17. 3/8LW(1) | 29. #10 Hose Clamps (5) |
| 5. 10mmLW (1) | 18. 3/8FW(1) | 30. 7' 5/8 Oil Hose (1) |
| 6. 12mm X 80mm 1.5 (1) | 19. 7/16 X 5-1/2 Bolt(1) | 31. 5/8 90° Hose Barb (1) |
| 7. 12mmLW (1) | 20. 7/16LW(1) | 32. 1/2 Pipe to JIC (1) |
| 8. SP 100-2.650 | 21. 7/16Nut(1) | 33. Hose Clamp (1) |
| 9. SP 88-.475 | 22. SP88-.500(1) | CMK86DK Includes Items 34-38 |
| 10. CPC 668B(1) | 23. Dayco 5080525 | 34. CMB 861 Adaptor (1) |
| 11. FSK 6.8(1) | Following items not shown: | 35. 10m m x 16mm FHSCS (1) |
| 12. 3" Spool Alternator (Sold Separately) | 24. 5/8 Hose Barb to JIC (3) | 36. 10mm x 20mm Flange Bolt (1) |
| 13. CMB 841L3S(1) | 25. 5/8 Compression Sleeve (4) | 37. CMB 862 Bushing (2) |
| | | 38. 8mm x 50mm Flange Bolt (2) |

CMK86DK



CW MILL EQUIPMENT CO., INC.
P.O. Box 246 • Sabetha, Kansas 66534
(785) 284-3454 • FAX (785) 284-3601

INSTALLATION NOTES

Remove two bolts from the diffuser, one at the top and one at the lower left side of the diffuser. Remove the two 10mm bolts holding the right hand diffuser brace to the engine. Install the four hole brace adaptor onto the engine at this location with 10mm flange bolt and the 10mm tapered head bolt. Tighten bolts securely. Install the brace back onto the engine at the adaptor reusing the O.E.M. bolts. **DO NOT TIGHTEN** Install the two spacers between the diffuser and the engine braces at the top and lower left hand brace with the to 8mm bolts provided in the kit. Once all the bolts are installed, tighten them evenly and check for proper clearance around the fan, adjust if necessary.