



CW MILL EQUIPMENT CO., INC.  
P.O. Box 246 • Sabetha, Kansas 66534  
(785) 284-3454 • FAX (785) 284-3601

**DMK55L3S-I8**  
**2003-07 Dodge 2500-3500**  
**5.9L I6 Diesel Cummins**  
*With A/C only*  
**Requires 8 Groove Pulley**

## INSTALLATION NOTES

---

1. Disconnect the negative battery cables. Drain the engine coolant until the water level is several inches below the upper radiator hose. Remove the air cleaner assembly . Remove the serpentine belt. Remove the upper alternator bolt and loosen the lower bolt. Swing the alternator towards the fender. Remove the alternator bracket and the engine lifting lug, they will not be reused.
2. Move the wire loom that runs across the front of the engine behind the thermostat housing. Install the main bracket reusing the three 10mm alternator bracket bolts at locations "C", "D" and "E" and bolts (2) with lockwashers (3) at locations "A" and "B". Tighten bolts evenly. Raise the alternator until the hole in the alternator aligns with the bushing on the bracket. Install the OEM alternator bolt.
3. Install auxiliary alternator (21) using bolt (5) and lockwasher (6). Do not tighten bolt. Install brace (4) using bolts (7,10,12), lockwashers (3,8,13), and flatwashers (9,11,14). Tighten all bolts securely including alternator bolt (5).
4. Replace the upper radiator hose. Remove the filter minder from the air cleaner cover and replace it with the aluminum plug. Install the air cleaner assembly . Replace the engine coolant. Connect battery cables. Run the engine and check for proper belt tracking. Adjust if necessary.

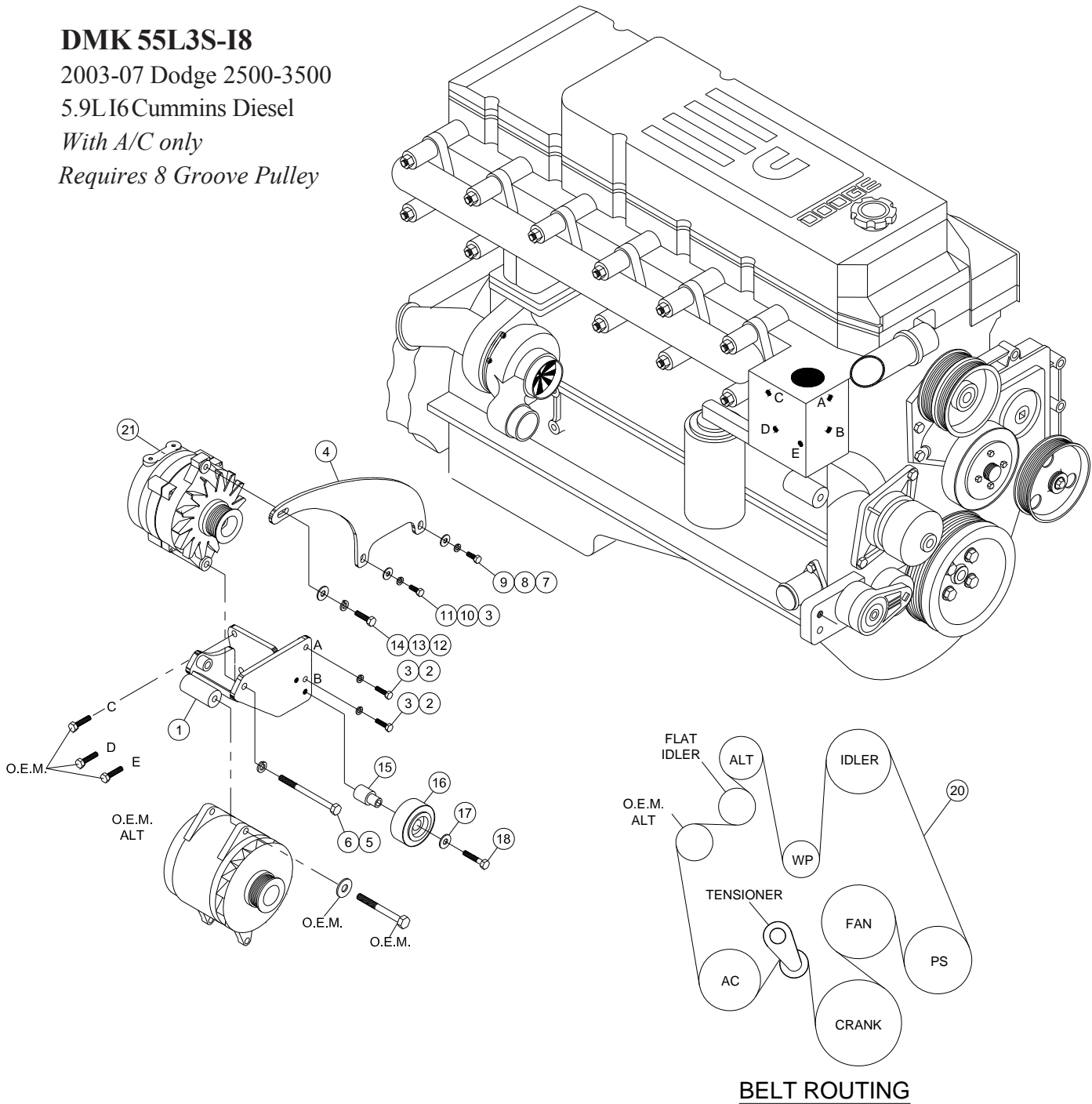
# DMK 55L3S-I8

2003-07 Dodge 2500-3500

5.9L I6 Cummins Diesel

With A/C only

Requires 8 Groove Pulley



## PARTS LIST

- |                         |                               |
|-------------------------|-------------------------------|
| 1. DMP 55L3S-I8 (1)     | 11. 8mm FW (1)                |
| 2. 8mm x 35mm (2)       | 12. 3/8 x 1 1/4 (1)           |
| 3. 8mm LW (2)           | 13. 3/8 LW (1)                |
| 4. DMB 551L3S-I8 (1)    | 14. 3/8 FW                    |
| 5. 7/16 x 5 Bolt (1)    | 15. SMB 373 (1)               |
| 6. 7/16 LW (1)          | 16. 89016 Dayco (1)           |
| 7. 6mm x 25mm Bolt (1)  | 17. 10mm FW (1)               |
| 8. 6mm LW (1)           | 18. 10 mm x 55mm Bolt (1)     |
| 9. 6mm FW (1)           | 19. DMB 552 aluminum plug (1) |
| 10. 8mm x 25mm Bolt (1) | 20. 5081490 Dayco (1)         |