



CW Mill Equipment Co., Inc.
14 Commerce Drive Sabetha, KS 66534
Phone: (785) 284-3454
Fax: (785) 284-3601
Email: brackets@cwmill.com
Website: www.cwkits.com

VFLMK23A-6

2007-18 Freightliner 2500-3500 Sprinter
2007-2009 Dodge Van 2500-3500 Sprinter
3.0L V6 Diesel

For use W-WO AC / Requires SAE Two Bolt "A" Flange Pump /
Requires 6 Groove Clutch

INSTALLATION NOTES

**Wrenches are available and suggested for removal and retorquing the harmonic balancer bolt.
Part# VFL23WR-1 and VFL23WR-2. These are sold separately.**

1. Remove air cleaner assembly. Remove the fan and fan shroud. Remove harmonic balancer bolt using suggested wrenches (bolt has right hand threads).
2. Install pulley adapter (1) using bolt (3), O.E.M. spacer, and set screws (4). Install pulley (2) onto adapter (1) using bolts (5). Torque harmonic balancer bolt to 280 ft/lbs. using wrench (part number- VFLWR-2 sold separately). Cross-torque set screws at 10 in/lbs., 30 in/lbs., 60 in/lbs., 90 in/lbs., 120 in/lbs. Mild-grade of Loctite is advisable to use. Install main bracket (6) and brace (21) with studs (9) and nuts (16). Install front brace (7) using bolts (11, 12), lock washer (10), and spacer (8). Install belt tensioner (13) using bolt (14).
3. Install hydraulic pump using bolts (17), flat washers (20), lock washers (19) and nuts (18). Install clutch and coil per manufactures instructions. Install new drive belt (15). Install fan spacer (22), fan, and fan shroud. Fan shroud will need to be trimmed for clearance with the drive belt and tensioner. Run the engine and check for proper belt alignment, tracking, and clearances.

VFLMK23A-6

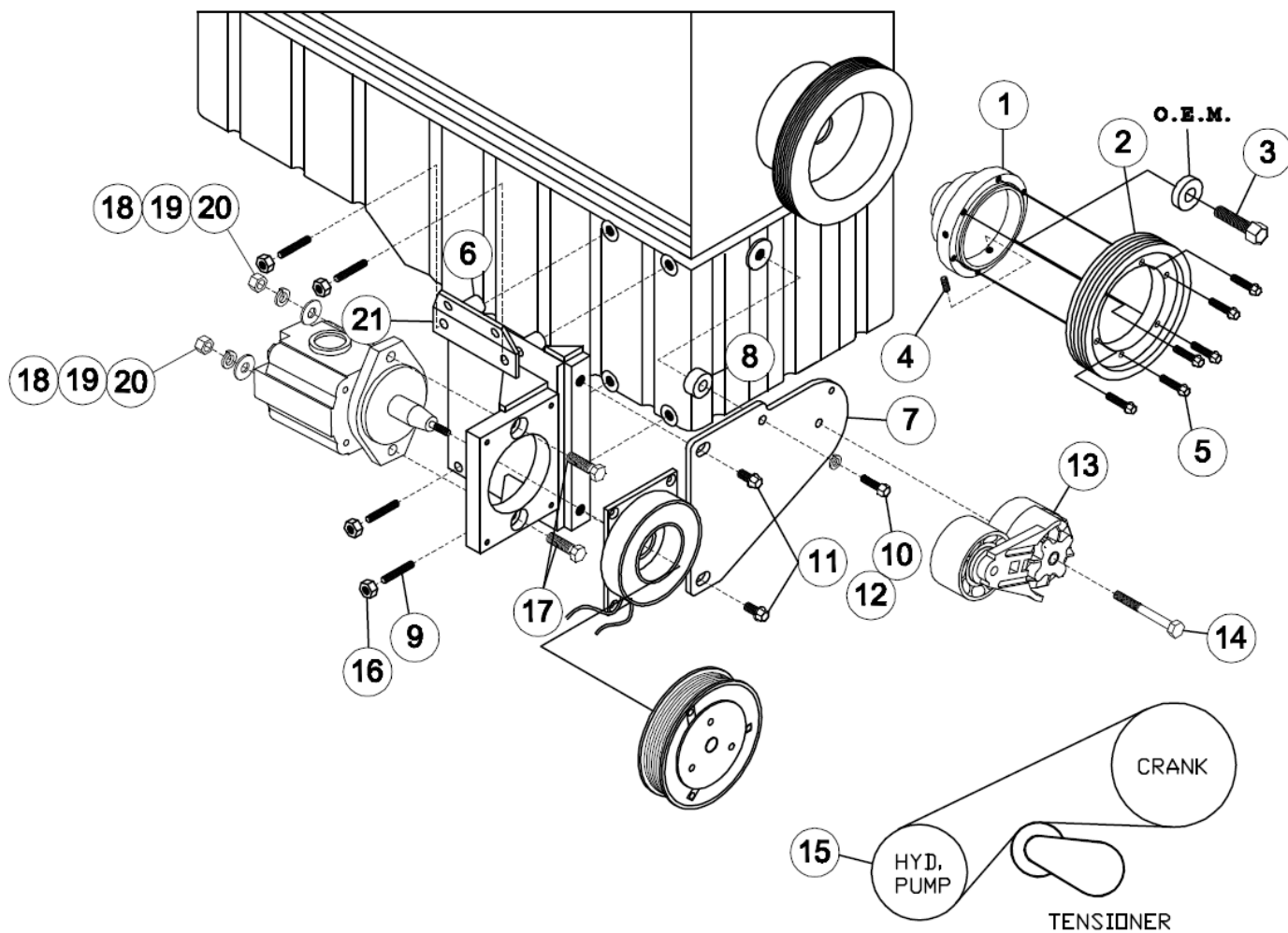
2007-18 Freightliner 2500-3500 Sprinter

2007-2009 Dodge Van 2500-3500 Sprinter

3.0L V6 Diesel - For use W-WO AC / Requires SAE Two Bolt "A" Flange Pump / Requires 6 Groove Clutch

Wrenches are available and suggested for removal and retorquing the harmonic balancer bolt.

Part# VFL23WR-1 and VFL23WR-2. These are sold separately.



PARTS LIST

- | | | |
|--------------------------------|----------------------------------|----------------------------|
| 1. VFLPA 23 (1) | 8. SP125-0.500 (1) | 15. 5060490 Dayco Belt (1) |
| 2. VFLPC 236 (1) | 9. 8mm x 50mm Stud (4) | 16. 8mm Flange Nut (4) |
| 3. 18mm x 110mm x 1.5 Bolt (1) | 10. 8mm Lock washer (1) | 17. 3/8 x 1-1/2 Bolt (2) |
| 4. 8mm x 20mm set screw (3) | 11. 10mm x 20mm Flanged Bolt (2) | 18. 3/8 NC Nut (2) |
| 5. 8mm x 30mm Flange Bolt (6) | 12. 8mm 35mm Bolt (1) | 19. 3/8 Lock washer (2) |
| 6. VFLMP 23A (1) | 13. 89200D Tensioner (1) | 20. 3/8 Flat washer (2) |
| 7. VFLMB 231 (1) | 14. 10mm x 75mm Bolt (1) | 21. VFLMB232 (1) |
| | | 22. FSK38 Fan Spacer (1) |