



VFK130SD508-I4

2020-2022 Ford Transit

3.5L EcoBoost V6 Gas w/ A/C, w/o Dual Alternators, w/-w/o AWD

3.5L PFDi V6 Gas w/ A/C, w/o Dual Alternators, w/-w/o AWD

Must use 8-Groove, 119mm Diameter Clutch (*Belt Runs on Front Four Grooves*)

Preferred use w/ TM13 or TM15 Ear Mount Compressor

NOTE: Not Recommended for use w/ 404A Refrigerant

INSTALLATION NOTES

1. The buyer is responsible for providing trained and experienced installation decision making with technical know-how to apply professional judgment that specifically applies to each individual installation.
2. Be sure to read and understand all available information including but not limited to instructions, warnings, sales terms, and warranties for the vehicle and all system components prior to attempting installation.
3. Disconnect the negative battery cable. Remove air duct for access to the OEM A/C compressor.

NOTE: On EcoBoost models remove the two charge-air tubes on the passenger side as well.

4. Remove both engine belts. The 4-groove belt will not be reused. Remove the three bolts from the OEM A/C compressor and lay aside. Remove the two split bushings from holes [B,C].
5. Install alignment bushings (6) on the engine at locations [B,C]. Install main bracket (1) onto the engine with bolt (5) at location [A]. Torque this installed bolt to 30-35 ft. lbs.

NOTE: On PFDi engines the oil pressure sensor wire will stay in its OEM location. Do not run the wire on the front side of the bracket.

6. Install the OEM A/C compressor at locations [B,C,D] with bolts (3) and washers (4). Torque bolts to 22-26 ft. lbs.
7. Install idler (10) and bushing (11) with bolt (12) and washer (13). Torque bolt to 30 ft. lbs.
8. Install tensioner (14) with bolt (15). Torque bolt to 22-25 ft. lbs.
9. Install the aftermarket compressor with bolts (7,8) and nut (9). Torque bolts to 30 ft. lbs.
10. Install the aftermarket A/C compressor belt (16) and route it as shown in the diagram.

NOTE: The 4-groove belt must run on the front four grooves of the compressor.

11. Install the OEM belt back to its original routing.
12. Replace the air duct and charge air tubes if equipped.
13. Connect battery cable. Start the engine and check for proper belt tracking.

CAUTION: Before starting the engine, check to make certain no wires, hoses, etc. that may have been disturbed during installation do not come in contact with any hot or moving parts. Run the engine and check for proper belt tracking, adjust if necessary.

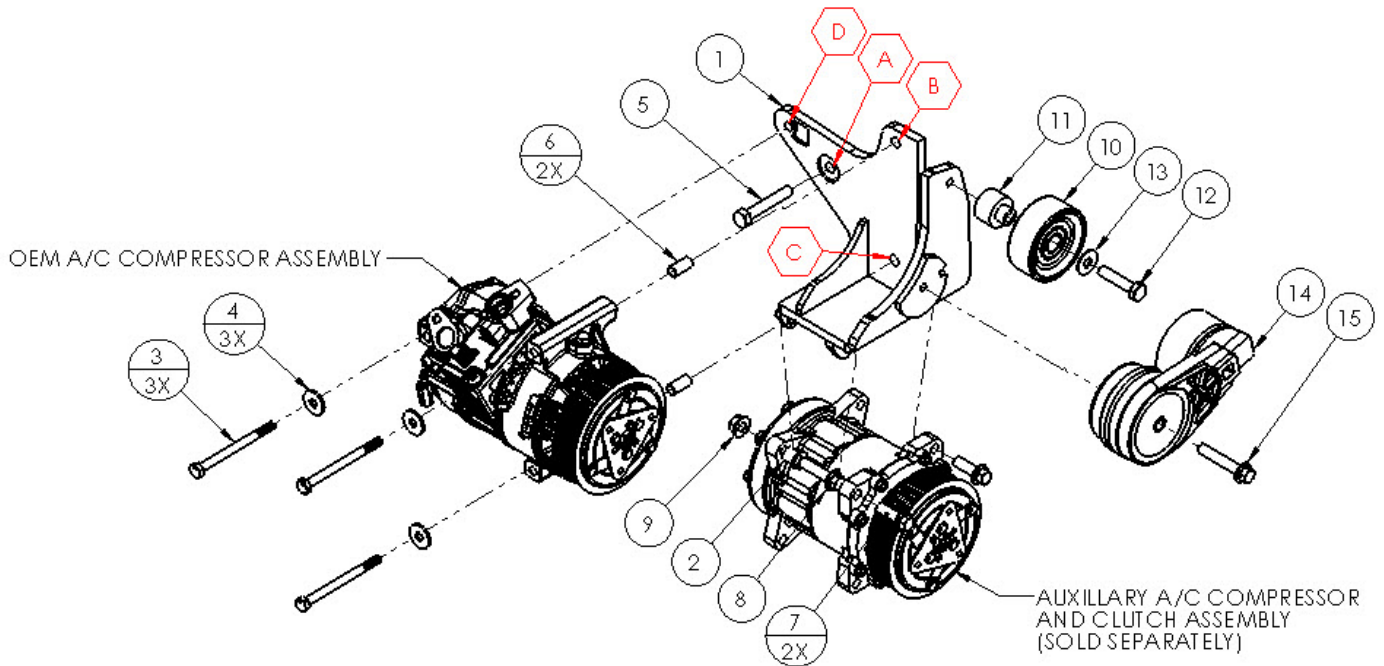


CW Mill Equipment Co., Inc.
 14 Commerce Drive Sabetha, KS 66534
 Phone: (785) 284-3454
 Fax: (785) 284-3601
 Email: brackets@cwmill.com
 Website: www.cwkits.com

VFK130SD508-I4

2020-2022 Ford Transit
 3.5L EcoBoost V6 Gas w/ A/C, w/o Dual Alternators, w/-w/o AWD
 3.5L PFDi V6 Gas w/ A/C, w/o Dual Alternators, w/-w/o AWD

Must use 8-Groove, 119mm Diameter Clutch (*Belt Runs on Front Four Grooves*)
 Preferred use w/ TM13 or TM15 Ear Mount Compressor
NOTE: Not Recommended for use w/ 404A Refrigerant



PARTS LIST							
Item	Part Number	Description	Qty.	Item	Part Number	Description	Qty.
Main Bracket				Smooth Idler Pulley Assembly			
1	VFMP130SD508	Main Bracket	1	10	89007	Dayco Smooth Idler Pulley	1
2	1011888A	M14 Slide Bushing (Installed)	1	11	VFMB130-1	Machined Idler Bushing	1
Main Bracket Mounting Hardware				12	1006630	M10-1.5 x 45mm Bolt	1
3	1018288	M8-1.25 x 140mm Bolt	3	13	1007644	3/8" USS Flat Washer	1
4	1010202	M8 Flat Washer	3	Tensioner Assembly			
5	1007594	M10-1.5 x 60mm Bolt	1	14	89396	Dayco Tensioner	1
6	001219	Machined Alignment Bushing	2	15	1006925	M10-1.5 x 55mm Flange Bolt	1
Auxiliary A/C Compressor Mounting Hardware				Belt			
7	1006927	M10-1.5 x 30mm Flange Bolt	2	16	K040520	Gates 4-Groove 52.0" Belt	1
8	1006933	M10-1.5 x 40mm Flange Bolt	1		5040520	Dayco 4-Groove 52.0" Belt	1
9	1018204	M10-1.5 Flange Nut	1		4PK1320	Bando 4-Groove 1320mm Belt	1

VFK130SD508-I4

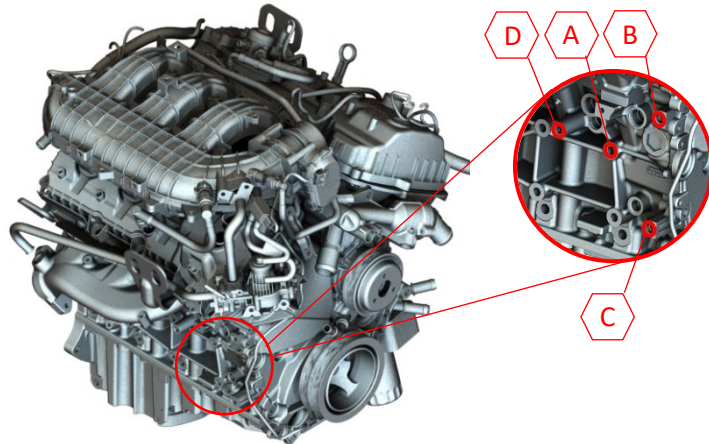
2020-2022 Ford Transit

3.5L EcoBoost V6 Gas w/ A/C, w/o Dual Alternators, w/-w/o AWD
 3.5L PFDi V6 Gas w/ A/C, w/o Dual Alternators, w/-w/o AWD

Must use 8-Groove, 119mm Diameter Clutch (*Belt Runs on Front Four Grooves*)
 Preferred use w/ TM13 or TM15 Ear Mount Compressor
NOTE: Not Recommended for use w/ 404A Refrigerant

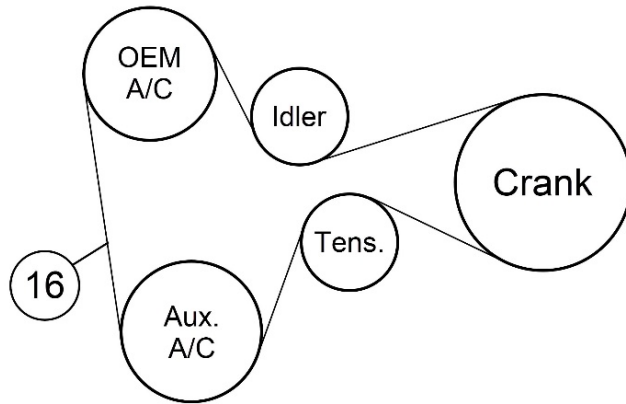
CW **CW Mill Equipment Co., Inc.**
 14 Commerce Drive Sabetha, KS 66534
 Phone: (785) 284-3454
 Fax: (785) 284-3601
 Email: brackets@cwmill.com
 Website: www.cwkits.com

MOUNTING KITS



Mounting Location and Hardware				
Location	Item	Part Number	Description	Qty.
A	5	1007594	M10-1.5 x 60mm Bolt	1
B	3	1018288	M8-1.25 x 140mm Bolt	1
	4	1010202	M8 Flat Washer	1
	6	001219	001219 Alignment Bushing	1
C	3	1018288	M8-1.25 x 140mm Bolt	1
	4	1010202	M8 Flat Washer	1
	6	001219	001219 Alignment Bushing	1
D	3	1018288	M8-1.25 x 140mm Bolt	1
	4	1010202	M8 Flat Washer	1

Mounting Location and Hardware Details



Belt Routing (16)

Disclaimer: (1.) Due to the custom nature and variation of all add-on systems of this type, no complete system kits are offered by the manufacturer, and any group of parts marketed as a kit is limited to only the individually defined parts in that specific kit. The system designer's rotating accessory components are not included, offered, or fully known by the manufacturer. In addition to the absence of the rotating accessory system, other potential components such as additional clamps, brackets, wear liners, hardware, or other items that may be required by the system designer must be identified and supplied by the actual system designer. (2.) Due to vehicle manufacturer's assembly tolerances, production changes, and installation variances, it is the buyer's responsibility to ensure adequate clearance for all components including space for and safe location of the fan, radiator, all lines, and wires. Check for possible movement, vibration, friction points, heat exposure and/or shifting of any and all components such as hoses, wires, and all other components including those that may otherwise be considered non-moving and/or unaffected by the installation (3.) The buyer is responsible for the entire installation of a mounting kit as the mounting kit is part of a custom process controlled by the buyer through their whole system design and directed installer as the installer evaluates, locates, routes, aligns, and tightens all components while determining if additional clamps, brackets, wear-liners, or other components may be required, beyond those included in the kit. Any additional items required, beyond those included in the kit, are to be provided at the expense of the buyer. (4.) The buyer is responsible for the development and communication of their whole system installation procedures, safety precautions, application, and use of the engine accessory mounting kit in their system, including efforts to maintain vehicle control and prevent pinch, wear, impact, and/or burn exposure on all hoses, wires, and other parts. (5.) The buyer is responsible for providing trained and experienced installation decision making with technical know-how to apply professional judgment that specifically applies to each individual installation. The buyers chosen installers must be qualified and experienced technicians that are familiar with the vehicle and accessory being mounted as well as the buyer's whole system design and installation procedures associated with the kit. (6.) The buyer is responsible for determining and achieving compliance to all regulatory issues that apply to the use of all products. (7.) The manufacturer reserves the right to make changes and/or improvements to any product at any time with or without notice.