



# VFK27SD508-I4

2019-2022 Ford Transit Connect  
2.0L I4 Gas w/-w/o A/C, w/o Dual Alternators

Requires 6 or 8-Groove Clutch  
Preferred use w/ TM13 or TM15 Ear Mount Compressor  
**NOTE: Not Recommended for use w/ 404A Refrigerant**

## INSTALLATION NOTES

---

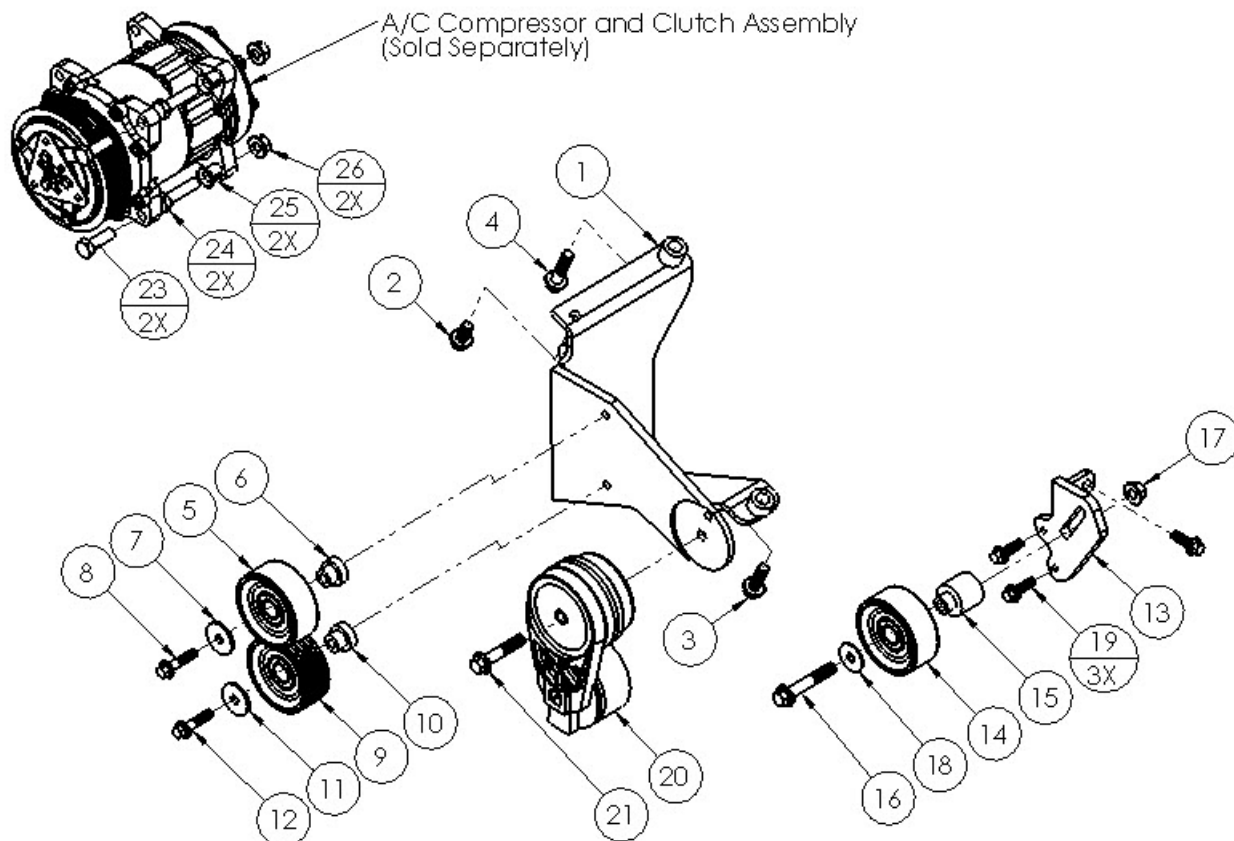
1. The buyer is responsible for providing trained and experienced installation decision making with technical know-how to apply professional judgment that specifically applies to each individual installation.
2. Be sure to read and understand all available information including but not limited to instructions, warnings, sales terms, and warranties for the vehicle and all system components prior to attempting installation.
3. Disconnect positive battery cable.
4. Remove wiper arms.
5. Remove upper and lower wiper cowl.
6. Jack vehicle up and remove engine splash shield.
7. Remove factory belts and keep A/C belt for reinstall.
8. Remove tensioner.
9. Install idler bracket (13) with mounting hardware (19) and grooved idler assembly (14-18) in place of tensioner that was removed.
10. Install main bracket (1) with mounting hardware (2-4), idler assemblies (5-8) (9-12), tensioner (20-21) and compressor assembly with hardware (23-26).
11. Install factory A/C belt and belt (22) supplied. Route it as shown in the belt diagram, and centering the belt on the center four grooves of the add-on clutch. Load the tensioner and slide idler (14) up to take up the belt slack. Tighten idler (14) then release the tensioner. The belt should not touch the hosing on the tensioner. If so, move idler (14) down until it clears.
12. Reinstall splash shield, cowls and wiper arms.

**CAUTION:** Before starting the engine, check to make certain no wires, hoses, etc. that may have been disturbed during installation do not come in contact with any hot or moving parts. Run the engine and check for proper belt tracking, adjust if necessary.

# VFK27SD508-I4

2019-2022 Ford Transit Connect  
 2.0L I4 Gas w/-w/o A/C, w/o Dual Alternators

Requires 6 or 8-Groove Clutch  
 Preferred use w/ TM13 or TM15 Ear Mount Compressor  
**NOTE: Not Recommended for use w/ 404A Refrigerant**

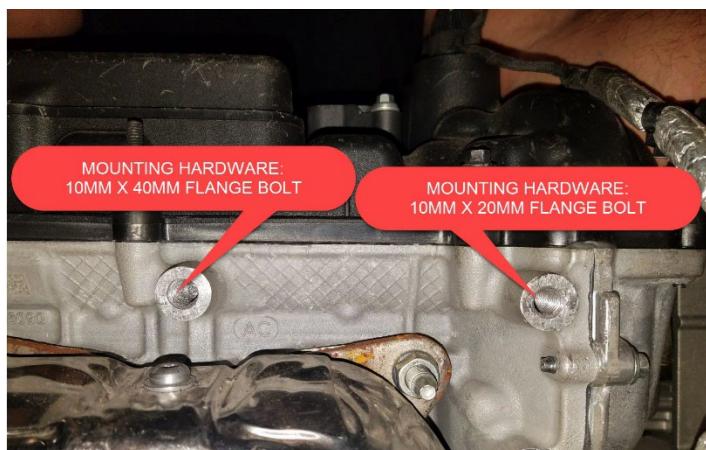


PARTS LIST								
Item	Description	Qty.	Item	Description	Qty.	Item	Description	Qty.
<b>Bracket</b>			10	VFB27-2 Spacer (1" x .330")	1	21	10mm x 50mm Allen Cap Screw	1
1	VFMB27-1 (Main Bracket)	1	11	MMB 303 Washer	1	<b>Belt</b>		
<b>Mounting Hardware</b>			12	8mm x 35mm Flange Bolt	1	22	K040903	1
2	10mm x 20mm Flange Bolt	1	<b>Idler Bracket Assembly (Grooved)</b>			<b>A/C Hardware</b>		
3	10mm x 30mm Flange Bolt	1	13	VFMB27-2 (Idler Bracket)	2	23	10mm x 30mm Flange Bolt	2
4	10mm x 40mm Flange Bolt	1	14	GPCS-4 (Grooved Idler)	1	24	10mm x 40mm Flange Bolt	2
<b>Idler Assembly (Smooth)</b>			15	VFB27-1 Spacer (1.250" x 1.080")	1	25	1255-0090 Slide Bushing	2
5	IPCS27 (VFK27 Idler)	1	16	10mm x 60mm Flange Bolt	1	26	10mm Flange Nut	2
6	VFB27-2 Spacer (1" x .330")	1	17	10mm Flange Nut	1			
7	MMB 303 Washer	1	18	3/8" Flat Washer	1			
8	8mm x 35mm Flange Bolt	1	19	8mm x 25mm Flange Bolt	3			
<b>Idler Assembly (Grooved)</b>			<b>Tensioner</b>					
9	GPCS-4 (Grooved Idler)	1	20	39162 (Gates)	1			

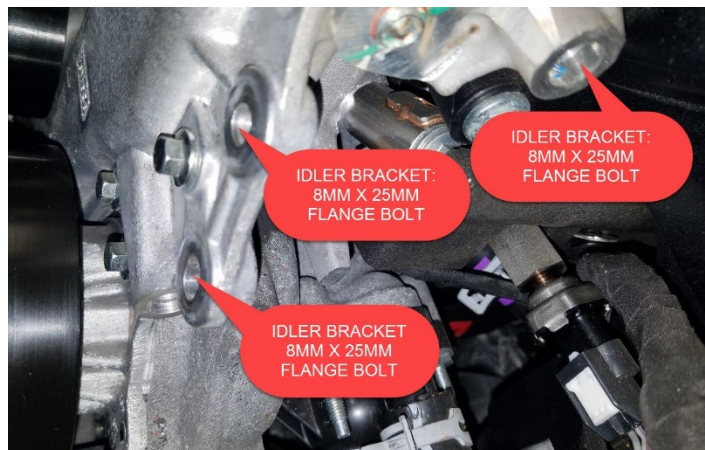
# VFK27SD508-I4

2019-2022 Ford Transit Connect  
 2.0L I4 Gas w/-w/o A/C, w/o Dual Alternators

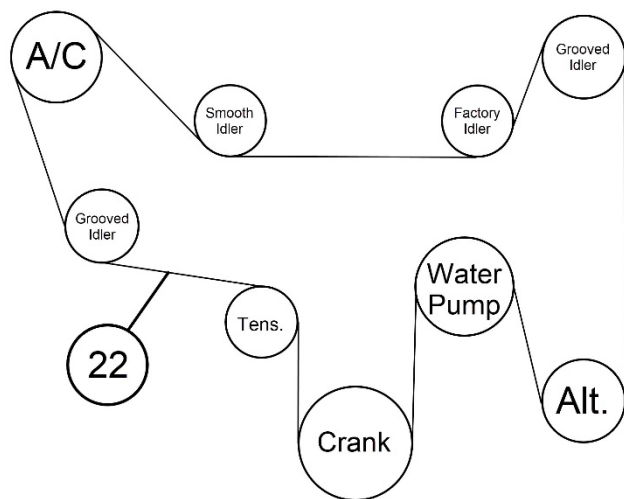
Requires 6 or 8-Groove Clutch  
 Preferred use w/ TM13 or TM15 Ear Mount Compressor  
**NOTE: Not Recommended for use w/ 404A Refrigerant**



**Main Bracket (1) Mounting Location: Photo Facing Back of Vehicle**



**Idler Bracket (13) Mounting Location: Photo Facing Front of Vehicle**



**Belt Routing (22)**

Disclaimer: (1.) Due to the custom nature and variation of all add-on systems of this type, no complete system kits are offered by the manufacturer, and any group of parts marketed as a kit is limited to only the individually defined parts in that specific kit. The system designer's rotating accessory components are not included, offered, or fully known by the manufacturer. In addition to the absence of the rotating accessory system, other potential components such as additional clamps, brackets, wear liners, hardware, or other items that may be required by the system designer must be identified and supplied by the actual system designer. (2.) Due to vehicle manufacturer's assembly tolerances, production changes, and installation variances, it is the buyer's responsibility to ensure adequate clearance for all components including space for and safe location of the fan, radiator, all lines, and wires. Check for possible movement, vibration, friction points, heat exposure and/or shifting of any and all components such as hoses, wires, and all other components including those that may otherwise be considered non-moving and/or unaffected by the installation (3.) The buyer is responsible for the entire installation of a mounting kit as the mounting kit is part of a custom process controlled by the buyer through their whole system design and directed installer as the installer evaluates, locates, routes, aligns, and tightens all components while determining if additional clamps, brackets, wear-liners, or other components may be required, beyond those included in the kit. Any additional items required, beyond those included in the kit, are to be provided at the expense of the buyer. (4.) The buyer is responsible for the development and communication of their whole system installation procedures, safety precautions, application, and use of the engine accessory mounting kit in their system, including efforts to maintain vehicle control and prevent pinch, wear, impact, and/or burn exposure on all hoses, wires, and other parts. (5.) The buyer is responsible for providing trained and experienced installation decision making with technical know-how to apply professional judgment that specifically applies to each individual installation. The buyers chosen installers must be qualified and experienced technicians that are familiar with the vehicle and accessory being mounted as well as the buyer's whole system design and installation procedures associated with the kit. (6.) The buyer is responsible for determining and achieving compliance to all regulatory issues that apply to the use of all products. (7.) The manufacturer reserves the right to make changes and/or improvements to any product at any time with or without notice.