



CW Mill Equipment Co., Inc.
14 Commerce Drive Sabetha, KS 66534
Phone: (785) 284-3454
Fax: (785) 284-3601
Email: brackets@cwmill.com
Website: www.cwkits.com

VFLMK25SD508-6

2019-2020 Freightliner/Mercedes 2500-3500 Sprinter
3.0L V6 Diesel w/-w/o AC, Requires 6 Groove Clutch

Wrenches are Available and Suggested for Removal and Retorquing
Harmonic Balancer Bolt, Part# VFL23WR-1 & VFL23WR-2.
These Are Sold Separately.

INSTALLATION NOTES

1. The buyer is responsible for providing trained and experienced installation decision making with technical know-how to apply professional judgment that specifically applies to each individual installation.
2. Be sure to read and understand all available information including but not limited to instructions, warnings, sale terms, and warranties for the vehicle and all system components prior to attempting installation.
3. Remove air cleaner assembly. Remove the fan and fan shroud. Remove harmonic balancer bolt using wrench (pn. VFLWR-1 sold separately)(bolt has right hand threads).
4. Install pulley adapter(1) using bolt(3), O.E.M. spacer, and set screws(4). Install pulley (2) onto adapter (1) using bolts (5). Torque harmonic balancer bolt to 280 ft/lbs using wrench (pn. VFLWR-2 sold separately). Cross torque set screws at 10 in/lbs, 5 ft/lbs, 15 ft/lbs, and then 25 ft/lbs. Install studs (9) with red lock-tight and torque to 5 ft.lbs.. Install main bracket (6) with nuts (16) at locations "A" and "B". Check for gap at locations "C" and "D" with feelers gauge. Remove bracket (6) and install appropriate shims (22,23) on studs at locations "C" and "D". Reinstall main bracket (6) using nuts (16) and brace (24). Install front brace (7) using bolts(11,12), lockwasher(10), and spacer(8). Install belt tensioner(13) using bolt(14).
5. Install A.C. compressor using slide bushings(20), bolts(17,18), and nuts(19). Install new drive belt(15). Install fan spacer(21), fan, and fan shroud. Fan shroud will need to be trimmed for clearance with the drive belt and tensioner. Run the engine and check for proper belt alignment, tracking, and clearances.

NOTE: Make certain any hoses or wires that were disturbed during installation do not come in contact with any hot or moving parts

Disclaimer: (1.) Due to the custom nature and variation of all add-on systems of this type, no complete system kits are offered by the manufacturer, and any group of parts marketed as a kit is limited to only the individually defined parts in that specific kit. The system designer's rotating accessory components are not included, offered, or fully known by the manufacturer. In addition to the absence of the rotating accessory system, other potential components such as additional clamps, brackets, wear liners, hardware, or other items that may be required by the system designer must be identified and supplied by the actual system designer. (2.) Due to vehicle manufacturer's assembly tolerances, production changes, and installation variances, it is the buyer's responsibility to ensure adequate clearance for all components including space for and safe location of the fan, radiator, all lines, and wires. Check for possible movement, vibration, friction points, heat exposure and/or shifting of any and all components such as hoses, wires, and all other components including those that may otherwise be considered non-moving and/or unaffected by the installation (3.) The buyer is responsible for the entire installation of a mounting kit as the mounting kit is part of a custom process controlled by the buyer through their whole system design and directed installer as the installer evaluates, locates, routes, aligns, and tightens all components while determining if additional clamps, brackets, wear-liners, or other components may be required, beyond those included in the kit. Any additional items required, beyond those included in the kit, are to be provided at the expense of the buyer. (4.) The buyer is responsible for the development and communication of their whole system installation procedures, safety precautions, application, and use of the engine accessory mounting kit in their system, including efforts to maintain vehicle control and prevent pinch, wear, impact, and/or burn exposure on all hoses, wires, and other parts. (5.) The buyer is responsible for providing trained and experienced installation decision making with technical know-how to apply professional judgment that specifically applies to each individual installation. The buyers chosen installers must be qualified and experienced technicians that are familiar with the vehicle and accessory being mounted as well as the buyer's whole system design and installation procedures associated with the kit. (6.) The buyer is responsible for determining and achieving compliance to all regulatory issues that apply to the use of all products. (7.) The manufacturer reserves the right to make changes and/or improvements to any product at any time with or without notice.

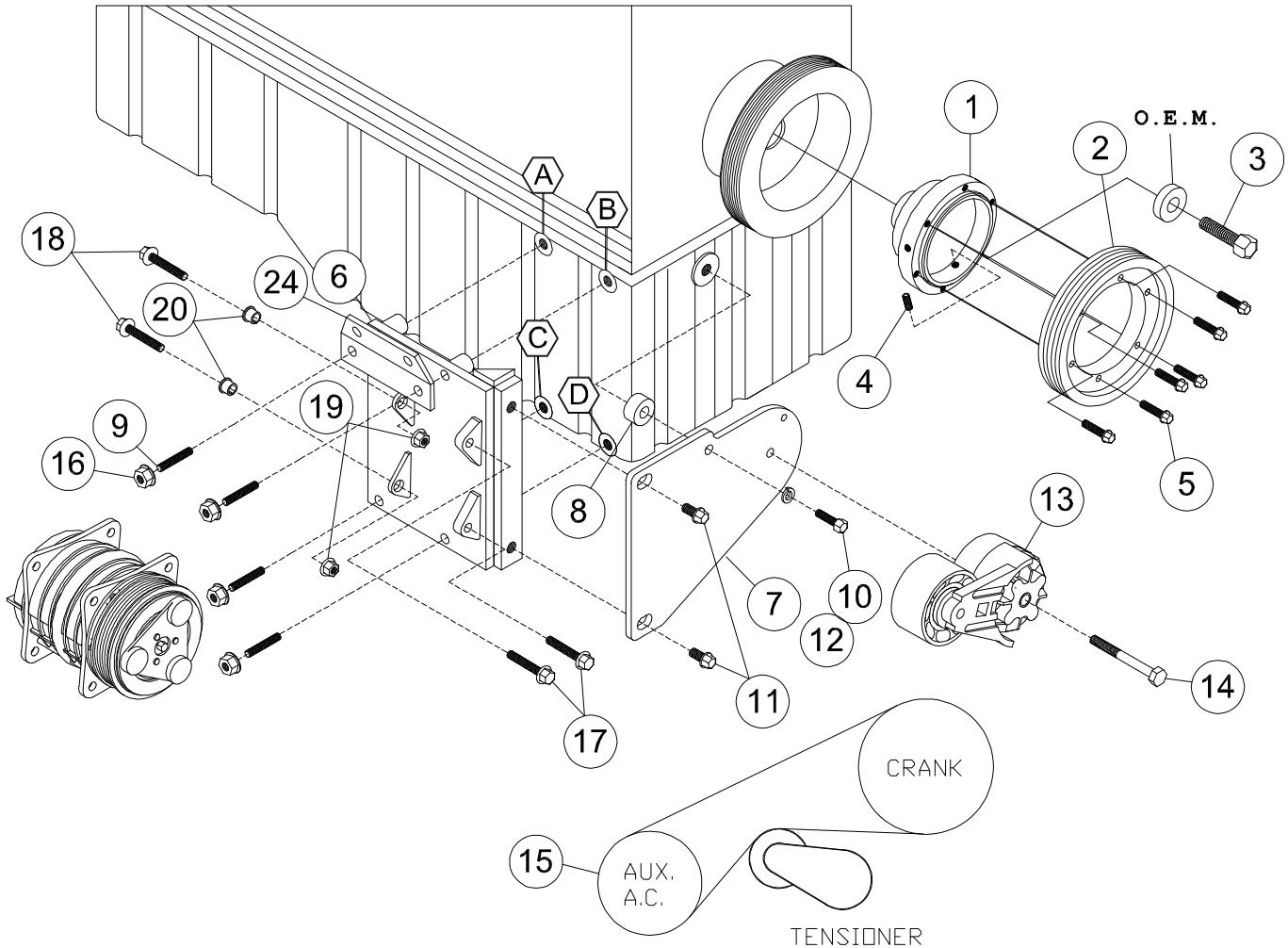


CW Mill Equipment Co., Inc.
14 Commerce Drive Sabetha, KS 66534
Phone: (785) 284-3454
Fax: (785) 284-3601
Email: brackets@cwmill.com
Website: www.cwkits.com

VFLMK25SD508-6

2019-2020 Freightliner/Mercedes 2500-3500 Sprinter
3.0L V6 Diesel w/-w/o AC, Requires 6 Groove Clutch

Wrenches are Available and Suggested for Removal and Retorquing
Harmonic Balancer Bolt, Part# VFL23WR-1 & VFL23WR-2.
These Are Sold Separately.



PARTS LIST

- | | | |
|--------------------------------|----------------------------------|---------------------------------|
| 1. VFLPA 23 (1) | 9. 8mm x 80mm Stud (4) | 17. 10mm x 30mm Flange Bolt (2) |
| 2. VFLPC 236 (1) | 10. 8mm LW (1) | 18. 10mm x 40mm Flange Bolt (2) |
| 3. 18mm x 110mm x 1.5 Bolt (1) | 11. 10mm x 20mm Flanged Bolt (2) | 19. 10mm x 1.5 Flanged Nut (2) |
| 4. 8mm x 20mm set screw (3) | 12. 8mm 35mm Bolt (1) | 20. 1255-0090 Slide Bushing (2) |
| 5. 8mm x 30mm Flange Bolt (6) | 13. 89200D Tensioner (1) | 21. FSK 38 Fan Spacer (1) |
| 6. VFLMP 25SD508 (1) | 14. 10mm x 75mm Bolt (1) | 22. .005" Shim (2) |
| 7. VFLMB 231 (1) | 15. K060478 Belt (1) | 23. .010" Shim (2) |
| 8. SP125-0.500 (1) | 16. 8mm Flange Nut (4) | 24. VFLMB232 (1) |