



RMK60SD508-I8DA

2019-2023 RAM 2500-5500
6.7L I6 Cummins Diesel w/ A/C, w/ Dual OEM Alternators

Requires 8-Groove Clutch, 119mm Diameter Clutch
For use w/ TM13, TM15 or TM16 Ear Mount Compressor

INSTALLATION NOTES

1. The buyer is responsible for providing trained and experienced installation decision making with technical know-how to apply professional judgment that specifically applies to each individual installation.
2. Be sure to read and understand all available information including but not limited to instructions, warnings, sale terms, and warranties for the vehicle and all system components prior to attempting installation.
3. Disconnect negative battery cables. Drain radiator fluid below the upper radiator hose. Remove the upper radiator hose. Remove the radiator cowling. Remove the driver's side fan shroud bracket from engine (it will not be reused). Unplug the fan wire. Remove upper fan shroud. Using the appropriate tool, loosen the fan nut (fan nut has right-hand threads). Then, remove the fan and fan shroud from the engine compartment. Remove the OEM accessory drive belt. Remove bolts from power steering through the holes in pulley. Leaving lines attached, set pump aside.
4. Remove OEM alternator and wires. Remove OEM alternator bracket saving bolts for re-installment. Install new alternator bracket (1) using three OEM M10 bolts (2). Do not tighten at this time.
5. Install auxiliary A/C compressor mounting bracket (3) with hardware (5-7). First, tighten two OEM M8 bolts (5). Then, tighten hardware (6-7). Finally, tighten three M10 OEM bolts (2) on the new OEM secondary alternator mounting bracket (1). Install OEM secondary alternator with OEM bolts (11). Install auxiliary A/C compressor with mounting hardware (8-10). Reinstall the power steering pump with OEM hardware. Install smooth idler pulley assembly (12-15) onto auxiliary A/C compressor mounting bracket (3). Install new belt (21) that is provided according to the belt diagram detailed below.
6. Install fan and fan shroud. Install fan shroud brace (16) to auxiliary A/C compressor mounting bracket (3) with bolt (17). Bolt (18) and bushing (19) will be installed onto the fan shroud. Install fan cowling using OEM hardware. Install upper radiator hose using bolt (20) secured to the OEM secondary alternator mounting bracket (1). Reconnect battery cables. Refill radiator antifreeze.

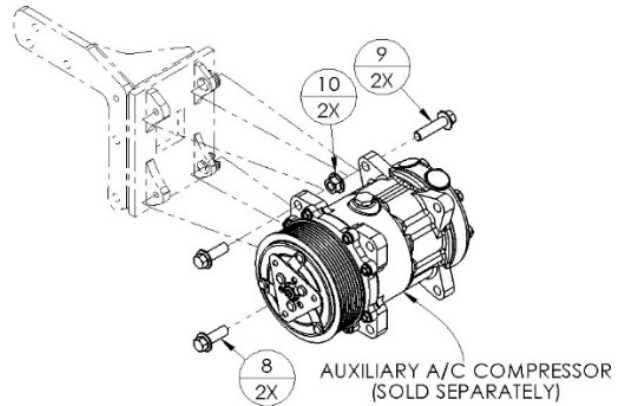
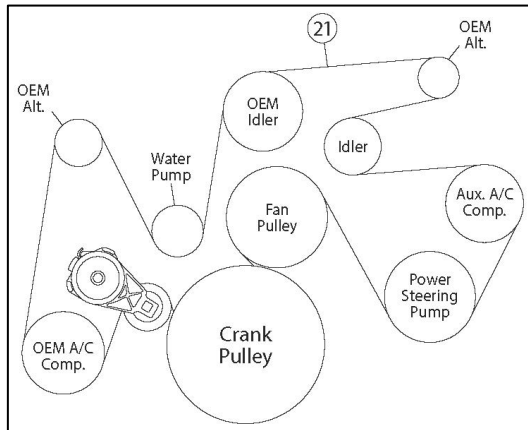
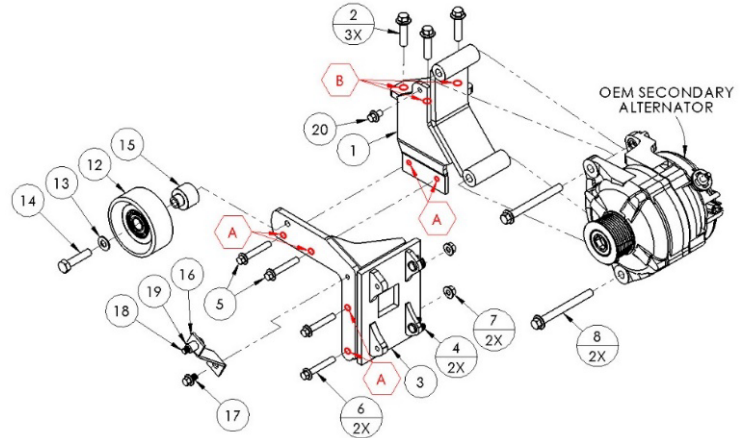
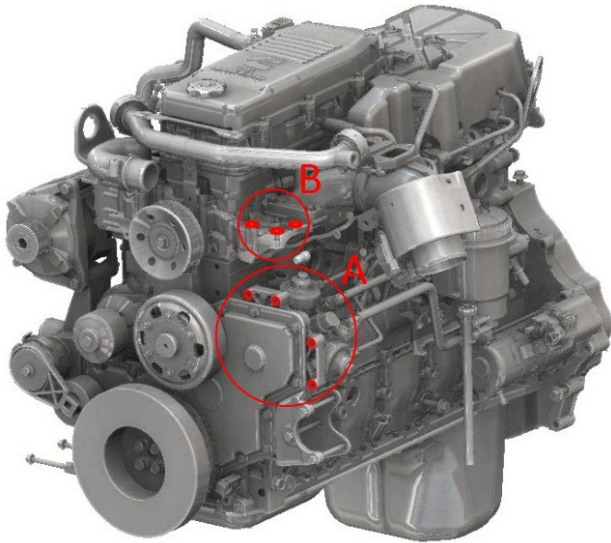
CAUTION: Before starting the engine. Check to make certain no wires, hoses, etc. that may have been disturbed during installation do not come in contact with any hot or moving parts. Run the engine and check for proper belt tracking, adjust if necessary.

Disclaimer: (1.) Due to the custom nature and variation of all add-on systems of this type, no complete system kits are offered by the manufacturer, and any group of parts marketed as a kit is limited to only the individually defined parts in that specific kit. The system designer's rotating accessory components are not included, offered, or fully known by the manufacturer. In addition to the absence of the rotating accessory system, other potential components such as additional clamps, brackets, wear liners, hardware, or other items that may be required by the system designer must be identified and supplied by the actual system designer. (2.) Due to vehicle manufacturer's assembly tolerances, production changes, and installation variances, it is the buyer's responsibility to ensure adequate clearance for all components including space for and safe location of the fan, radiator, all lines, and wires. Check for possible movement, vibration, friction points, heat exposure and/or shifting of any and all components such as hoses, wires, and all other components including those that may otherwise be considered non-moving and/or unaffected by the installation (3.) The buyer is responsible for the entire installation of a mounting kit as the mounting kit is part of a custom process controlled by the buyer through their whole system design and directed installer as the installer evaluates, locates, routes, aligns, and tightens all components while determining if additional clamps, brackets, wear-liners, or other components may be required, beyond those included in the kit. Any additional items required, beyond those included in the kit, are to be provided at the expense of the buyer. (4.) The buyer is responsible for the development and communication of their whole system installation procedures, safety precautions, application, and use of the engine accessory mounting kit in their system, including efforts to maintain vehicle control and prevent pinch, wear, impact, and/or burn exposure on all hoses, wires, and other parts. (5.) The buyer is responsible for providing trained and experienced installation decision making with technical know-how to apply professional judgment that specifically applies to each individual installation. The buyers chosen installers must be qualified and experienced technicians that are familiar with the vehicle and accessory being mounted as well as the buyer's whole system design and installation procedures associated with the kit. (6.) The buyer is responsible for determining and achieving compliance to all regulatory issues that apply to the use of all products. (7.) The manufacturer reserves the right to make changes and/or improvements to any product at any time with or without notice.

RMK60SD508-I8DA

2019-2023 RAM 2500-5500
 6.7L I6 Cummins Diesel w/ A/C, w/ Dual OEM Alternators

Requires 8-Groove Clutch, 119mm Diameter Clutch
 For use w/ TM13, TM15 or TM16 Ear Mount Compressor



PARTS LIST							
Item	Part Number	Description	Qty.	Item	Part Number	Description	Qty.
OEM Secondary Alternator Mounting Bracket				Smooth Idler Pulley Assembly			
1	RMB601DA	OEM Secondary Alternator Mounting Bracket	1	12	89048	Dayco Smooth Idler Pulley	1
OEM Secondary Alternator Mounting Bracket Mounting Hardware				13	1007644	3/8" USS Flat Washer	1
2	N/A	OEM M10 Hex Flg. Bolt	3	14	1006630	M10-1.5 x 45mm 10.9Gr Hex Bolt	1
Auxiliary A/C Compressor Mounting Bracket				15	DMB594	Machined Idler Pulley Bushing	1
3	RMB601SD508-I8DA	Auxiliary A/C Compressor Mounting Bracket	1	Fan Shroud Brace			
4	1011888A	M14 Silde Bushing (Installed)	2	16	RMB602DA-1	Fan Shroud Brace	1
Auxiliary A/C Compressor Mounting Bracket Mounting Hardware				17	1011623	M8-1.25 x 12mm 10.9Gr Hex Flg. Bolt	1
5	N/A	OEM M8 Hex Flg. Bolt	2	18	1011887	M8-1.25 x 25mm 10.9Gr Hex Flg. Bolt (Installed)	1
6	1013316	M8-1.25 x 50mm 10.9Gr Hex Flg. Bolt	2	19	RMB602DA-2	Threaded Bushing (Installed)	1
7	1013333	M8-1.25 10.9Gr Hex Flg. Nut	2	Upper Radiator Hose Mounting Hardware			
Auxiliary A/C Compressor Mounting Hardware				20	1011623	M8-1.25 x 12mm 10.9Gr Hex Flg. Bolt	1
8	1006927	M10-1.5 x 30mm 10.9Gr Hex Flg. Bolt	2	Belt			
9	1006933	M10-1.5 x 40mm 10.9Gr Hex Flg. Bolt	2	21	5081490	Dayco 8-Groove 149.0" Belt	1
10	1018204	M10-1.5 10.9Gr Hex Flg. Nut	2				
OEM Secondary Alternator Mounting Hardware							
11	N/A	OEM Secondary Alternator Bolts	2				