



FLMK70A-8ARC

2019-2024 Freightliner M2
6.7L I6 Cummins ISB Diesel (24 Valve) w/-w/o A/C

Requires 8-Groove Clutch
Requires SAE Two-Bolt 'A' Flange Pump
NOTE: For use w/ Air Release Fan Clutch ONLY

INSTALLATION NOTES

1. The buyer is responsible for providing trained and experienced installation decision making with technical know-how to apply professional judgment that specifically applies to each individual installation.
2. Be sure to read and understand all available information including but not limited to instructions, warnings, sales terms, and warranties for the vehicle and all system components prior to attempting installation.
3. Disconnect negative battery cable. Remove driver's side radiator support brace. Remove the OEM belt. Remove the four bolts holding the fan to the fan clutch and let fan lay inside the fan shroud. Be careful not to damage the radiator. Disconnect the airline to the fan pulley assembly. Remove the four bolts holding the assembly to the engine and remove from the engine compartment. Using an allen socket, remove the six bolts holding the clutch to the fan pulley. If the holes are not aligned with the bolts, air can be applied to the clutch to release it so it can be aligned. Remove the large nut holding the pulley on the spindle the remove the pulley. Install the new pulley (1) onto the spindle and torque nut to 171 ft lbs. Install the clutch back onto the pulley with OEM bolts. Make certain the sleeve is installed and aligned. Torque bolts to 50 ft lbs. Reinstall the pulley assembly with OEM bolts (2). Torque to 28 ft lbs. Reconnect airline. Reinstall OEM belt.
4. Remove the radiator support bracket from the cylinder head and install the main bracket (3) in its place using bolts (4). Use a straight edge to align the tensioner mount parallel with drive pulley. Tighten bolts securely. Install the clutch pump onto main bracket (3) using the hardware (7-10). Align clutch with the drive pulley using a straight edge. Alignment is the installer's responsibility. Tighten all bolts securely.
5. Install the tensioner (5) onto the main bracket (3) using bolt (6). Install new pump drive belt (11). Install the radiator support brace with original bolts. Install fan with OEM nuts and torque to 26 ft lbs. Connect the battery cable. Run the engine and check for proper belt tracking and adjust if necessary.

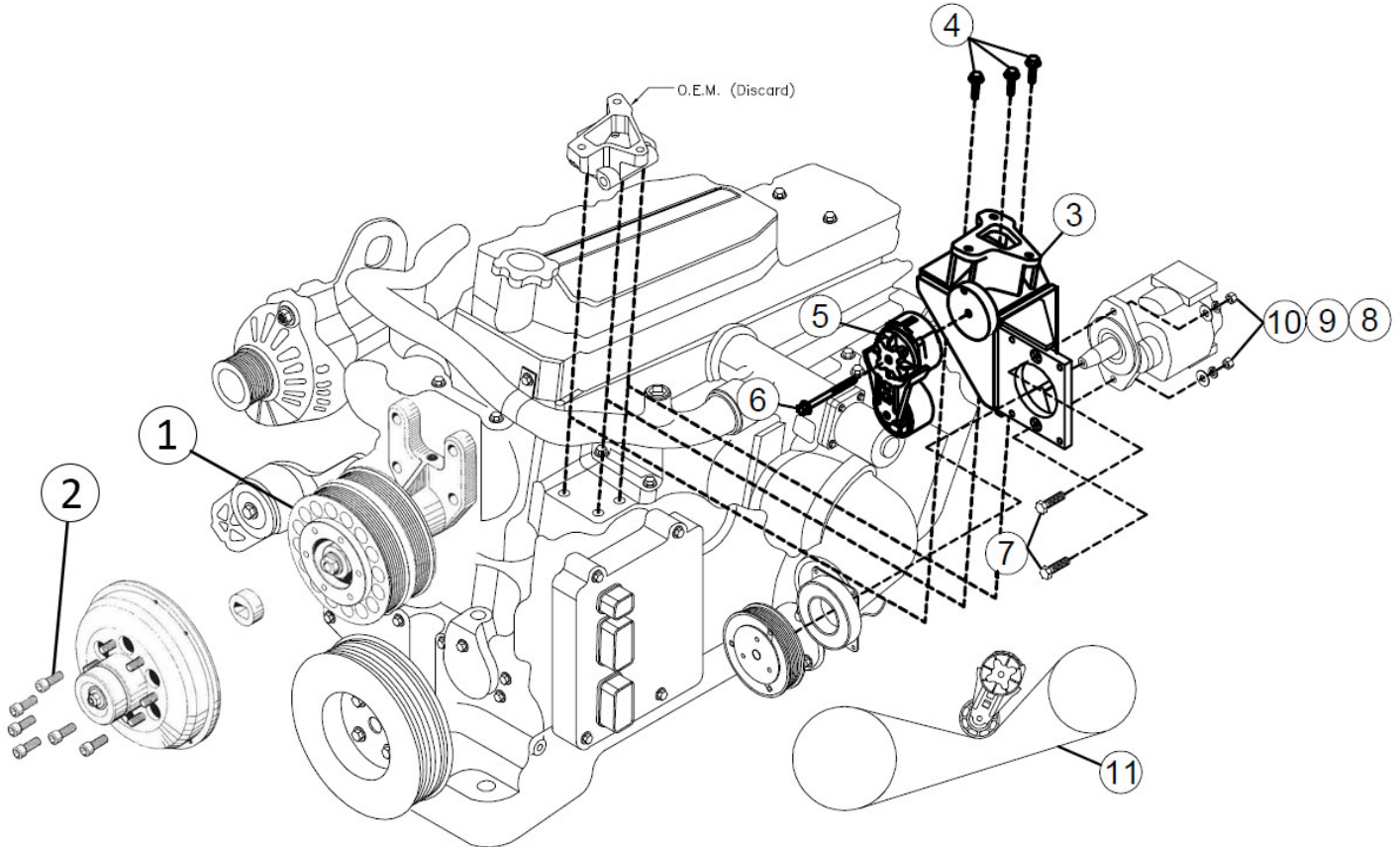
CAUTION: Before starting the engine. Check to make certain no wires, hoses, etc. that may have been disturbed during installation do not come in contact with any hot or moving parts. Run the engine and check for proper belt tracking, adjust if necessary.

Disclaimer: (1.) Due to the custom nature and variation of all add-on systems of this type, no complete system kits are offered by the manufacturer, and any group of parts marketed as a kit is limited to only the individually defined parts in that specific kit. The system designer's rotating accessory components are not included, offered, or fully known by the manufacturer. In addition to the absence of the rotating accessory system, other potential components such as additional clamps, brackets, wear liners, hardware, or other items that may be required by the system designer must be identified and supplied by the actual system designer. (2.) Due to vehicle manufacturer's assembly tolerances, production changes, and installation variances, it is the buyer's responsibility to ensure adequate clearance for all components including space for and safe location of the fan, radiator, all lines, and wires. Check for possible movement, vibration, friction points, heat exposure and/or shifting of any and all components such as hoses, wires, and all other components including those that may otherwise be considered non-moving and/or unaffected by the installation (3.) The buyer is responsible for the entire installation of a mounting kit as the mounting kit is part of a custom process controlled by the buyer through their whole system design and directed installer as the installer evaluates, locates, routes, aligns, and tightens all components while determining if additional clamps, brackets, wear-liners, or other components may be required, beyond those included in the kit. Any additional items required, beyond those included in the kit, are to be provided at the expense of the buyer. (4.) The buyer is responsible for the development and communication of their whole system installation procedures, safety precautions, application, and use of the engine accessory mounting kit in their system, including efforts to maintain vehicle control and prevent pinch, wear, impact, and/or burn exposure on all hoses, wires, and other parts. (5.) The buyer is responsible for providing trained and experienced installation decision making with technical know-how to apply professional judgment that specifically applies to each individual installation. The buyers chosen installers must be qualified and experienced technicians that are familiar with the vehicle and accessory being mounted as well as the buyer's whole system design and installation procedures associated with the kit. (6.) The buyer is responsible for determining and achieving compliance to all regulatory issues that apply to the use of all products. (7.) The manufacturer reserves the right to make changes and/or improvements to any product at any time with or without notice.

FLMK70A-8ARC

2019-2024 Freightliner M2
 6.7L I6 Cummins ISB Diesel (24 Valve) w/-w/o A/C

Requires 8-Groove Clutch
 Requires SAE Two-Bolt 'A' Flange Pump
NOTE: For use w/ Air Release Fan Clutch ONLY



PARTS LIST

Item	Part Number	Description	Qty.	Item	Part Number	Description	Qty.
Add-on Pulley				Clutch Pump Mounting Hardware			
1	FLPC708ARC	Add-on Pulley	1	7	1010744	3/8"-16 x 1-3/4" NC Bolt	2
2	N/A	OEM Allen Head Bolts	6	8	1010314	3/8"-16 NC Nut	2
Main Bracket				9	1010315	3/8" Lock Washer	2
3	FLMP70A-8	Main Bracket	1	10	1007644	3/8" Flat Washer	2
Main Bracket Mounting Hardware				Belt (5.5" Clutch O.D.)			
4	1006927	M10-1.5 x 30mm Flange Bolt	3	11	5080445	Dayco 8-Groove 44.5" Belt	1
Tensioner Assembly				Belt (6" Clutch O.D.)			
5	89200B	Custom Tensioner	1	11	5080450	Dayco 8-Groove 45.0" Belt	1
6	1003980M	M10-1.5 x 80mm Bolt MOD	1				