



# FMK26792V-I6

2023 (Build Date: 01.01.2023 or Later)-2024 Ford F-250-F-550, F-600 Super Duty  
6.7L V8 PowerStroke Diesel w/ A/C, w/ OEM Dual Alternators,  
w/o Ford ProPower Option, w/o Adaptive Steering

For use w/ Vortec 92V Style Alternator  
For use w/ 6-Groove, 2" Diameter Pulley  
Approximately 388% Overdriven w/ 2" Diameter Pulley

## INSTALLATION NOTES

---

1. The buyer is responsible for providing trained and experienced installation decision making with technical know-how to apply professional judgment that specifically applies to each individual installation.
2. Be sure to read and understand all available information including but not limited to instructions, warnings, sale terms, and warranties for the vehicle and all system components prior to attempting installation.
3. Disconnect the negative battery cables.
4. Remove the air duct from the passenger side of the engine.
5. Remove the charge-air tube from the driver side of the engine.
6. Remove the power steering reservoir from the fan shroud. Then, remove the top half of the fan shroud. It is highly recommended that the radiator be protected with cardboard or other suitable material to prevent damage during this installation.
7. Remove the bolt holding the fan wire standoff to the engine. Then, disconnect the fan wire. Remove the fan (fan nut has right-hand threads). Remove the four nuts holding the fan ring to the engine. Then, remove the fan ring from the vehicle (it is best to rotate the fan ring clockwise until the rubber flap is facing upwards).
8. Remove the OEM belt.
9. Disconnect the wires from the alternator. Then, remove the alternator. Drain as much fluid as possible from the power steering reservoir. Then, remove the hose connecting the power steering reservoir to the power steering pump. Remove the power steering pump from the bracket. Let it lay inside the fan shroud. It is not necessary to remove the steel high-pressure line from the power steering pump. Remove the power steering/alternator bracket from the engine.
10. Remove the plastic wire harness support from the lower-driver side of the engine. It will not be reused. Protect the wire using the wire protectors (20-21) and zip ties (22). Using clamp (18) and bolt (19) secure the wire harness to the engine at mounting location [C].
11. Drain the engine coolant and remove the hose connecting the radiator reservoir to the engine. Remove the plastic hose clamp from the quick disconnect elbow. Remove the hose from the elbow. Replace that hose with hose (23) using clamps (24-25). This hose is replaced to provide clearance to the auxiliary A/C compressor hoses.
12. Rotate the clamp on the fitting that is just to the left of the crank pulley. This is to help avoid it from interfering with the aftermarket belt. On that same hose, roll the protective sleeve down and secure it with a zip tie to keep it from getting into the belt. Refer to the picture for guidance for this step.
13. Install the auxiliary alternator onto the main bracket (1) using hardware (28).

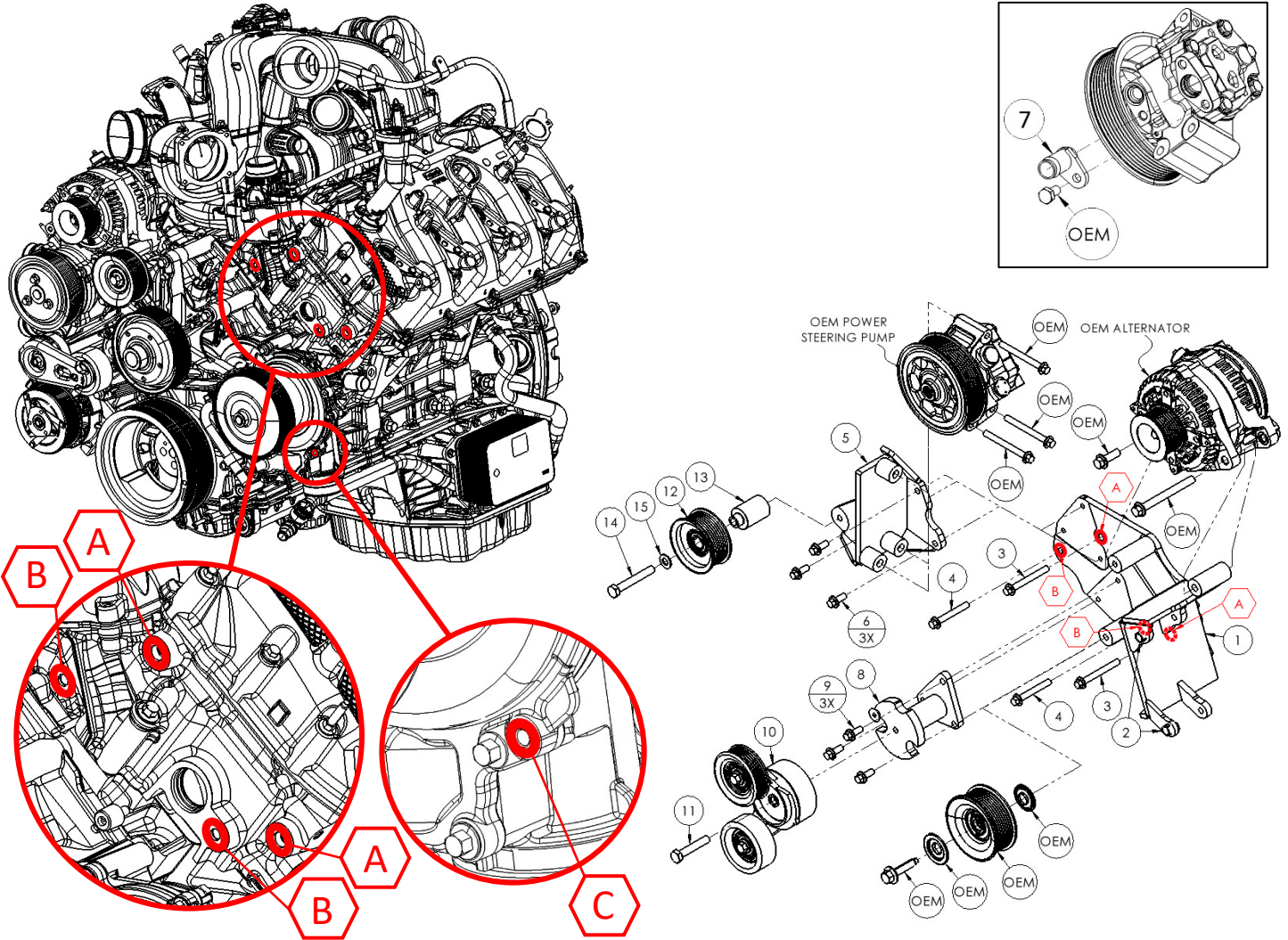
## INSTALLATION NOTES (CONTINUED)

---

14. Install the auxiliary alternator and main bracket (1) onto the engine with bolts (3) at mounting location [A] and bolts (4) at mounting location [B]. Torque bolts to 24-27 ft/lbs.
15. Install the power steering pump bracket (5) onto the main bracket (1) using bolts (6). Remove the suction hose elbow from the power steering pump. Install fitting (7) reusing the OEM bolt. Install hose (16) onto the power steering pump using clamp (17). Install the power steering pump reusing the OEM hardware. The steel high-pressure will need to be bent slightly for clearance, but does not need to be removed from the pump. The steel line usually works best when it is run behind the water pump pulley.
16. Install the alternator onto the main bracket (1) reusing the OEM hardware. Reconnect the wires.
17. Remove the grooved idler pulley from the OEM bracket. Install it onto the main bracket (1) just below the alternator with all OEM hardware.
18. Install the grooved idler pulley assembly (12-15) onto the new power steering pump bracket (5).
19. Install the tensioner bracket (8) with bolts (9) onto the main bracket (1). Install tensioner (10) with bolt (11).
20. First, install the OEM belt. Then, install belt (29). Route them as shown in the illustration.
21. Trim the fan ring as shown. Then, reinstall it back onto the engine. Rotating it counter-clockwise to get the rubber flap under the fan shroud works best (there will only be three mounting locations now). Use hardware (26-27) on the driver side of the fan ring mount to help avoid belt contact.
22. Reinstall the fan. Connect the fan wire. Attach the fan wire support back to its original location. Replace the top half of the fan shroud with OEM bolts.
23. Reinstall the power steering reservoir onto the fan shroud. Route the new return hose (16) to the reservoir. Cut the hose if necessary for the best fit. Secure it to the reservoir with clamp (17).
24. Properly refill any fluids that may have been drained. Check for leaks.
25. Reconnect the negative battery cables.

**CAUTION:** Before starting the engine, check to make certain no wires, hoses, etc. that may have been disturbed during installation do not come in contact with any hot or moving parts. Properly refill any fluids that may have been drained, check for leaks. Run the engine and check for proper belt tracking and clearance of any hoses, wires, etc. It is the installer's responsibility to correct/adjust any components, if necessary, before the vehicle is put into service.

## Parts List



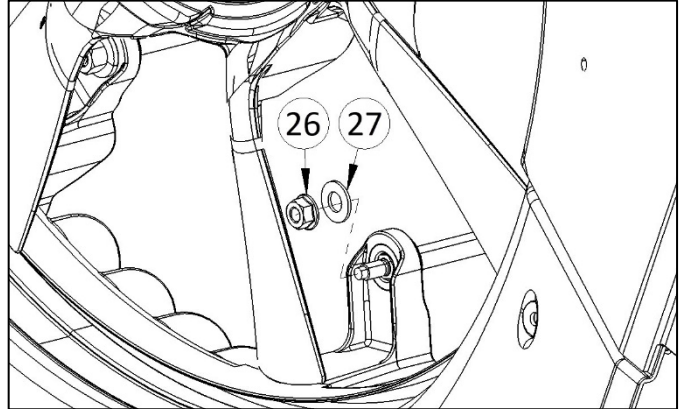
PARTS LIST							
Item	Part Number	Description	Qty.	Item	Part Number	Description	Qty.
<b>Main Bracket</b>				<b>Tensioner Bracket Assembly</b>			
1	FMP26792V-I6	Main Bracket	1	8	FMB2672	Tensioner Bracket	1
2	1011888A	M14 Slide Bushing (Installed)	2	9	1013329	M8-1.25 x 20mm 10.9Gr Hex Flg. Bolt	3
<b>Main Bracket Mounting Hardware</b>				<b>Tensioner Assembly</b>			
3	1018206	M8-1.25 x 70mm 10.9Gr Hex Flg. Bolt	2	10	89254-007-051M	Custom Assembled & Modified Tensioner	1
4	1018001	M8-1.25 x 60mm 10.9Gr Hex Flg. Bolt	2	11	1006925	M10-1.5 x 55mm 10.9Gr Hex Bolt	1
<b>Power Steering Pump Bracket Assembly</b>				<b>Grooved Idler Pulley Assembly</b>			
5	FMB2651	Power Steering Pump Bracket	1	12	89053	Dayco 8-Groove Idler Pulley	1
6	1013329	M8-1.25 x 20mm 10.9Gr Hex Flg. Bolt	3	13	FMB2654	Machined Idler Bushing	1
<b>Power Steering Pump Fitting</b>				14	1011649	M10-1.5 x 70mm 10.9Gr Hex Bolt	1
7	FMB2657	Power Steering Pump Fitting	1	15	1002596	3/8" Flat Washer	1



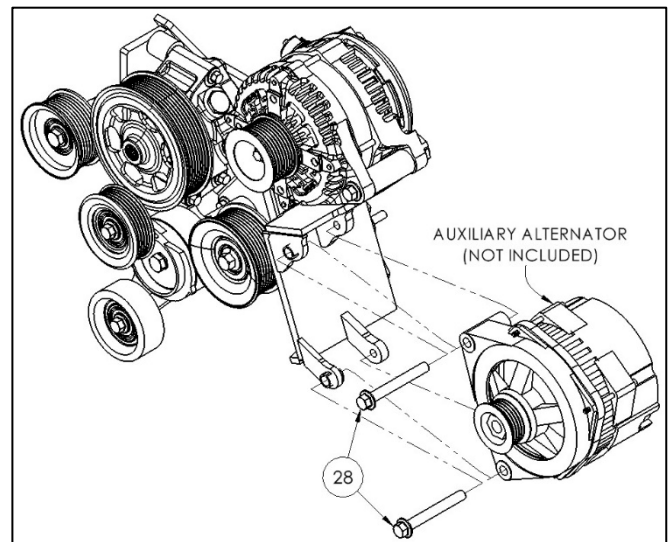
## Parts List



**Battery Cable Support Hardware (18-22)**



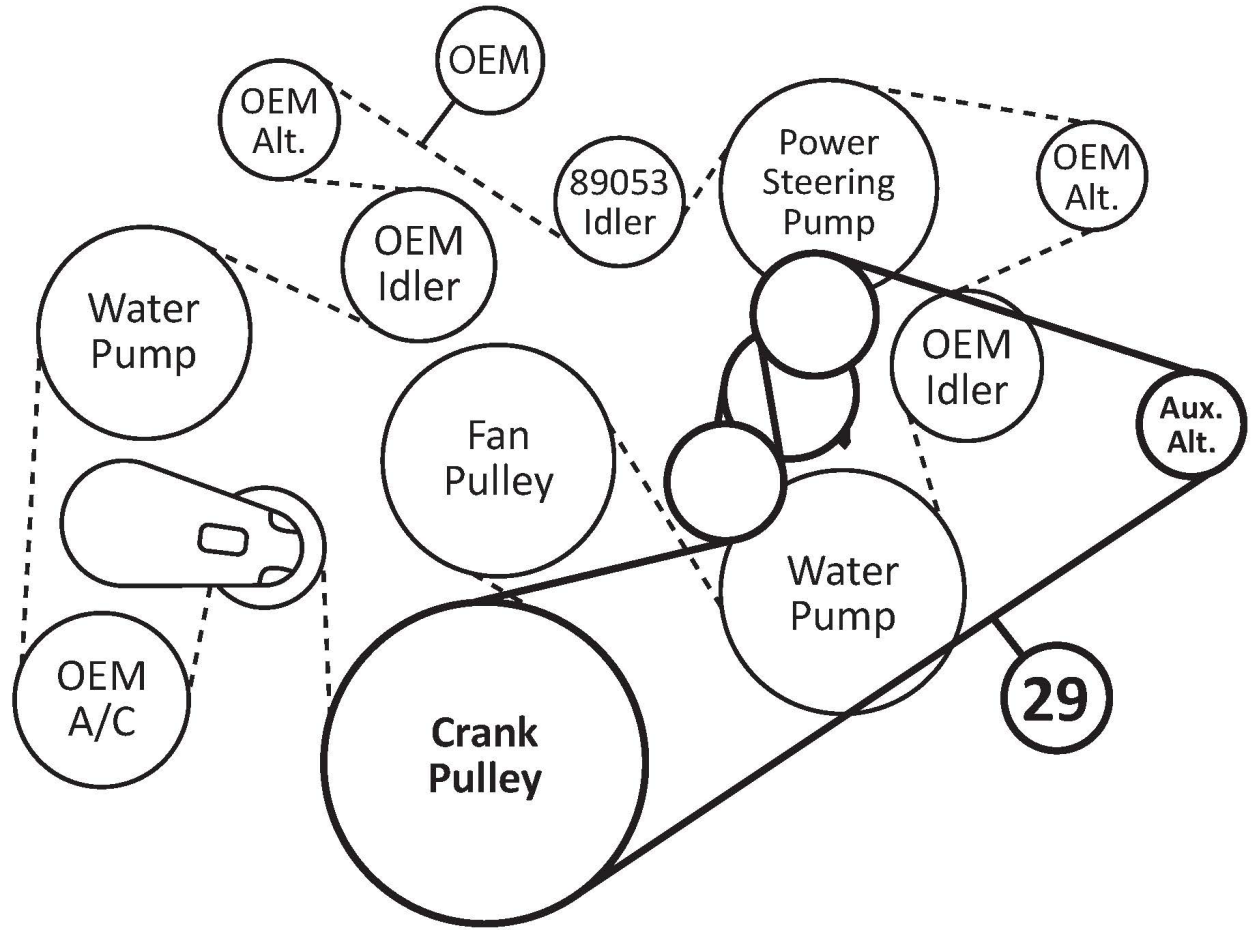
**Fan Shroud Mounting Hardware (26-27)**



**Auxiliary Alternator Mounting Hardware (28)**

PARTS LIST							
Item	Part Number	Description	Qty.	Item	Part Number	Description	Qty.
<b>Power Steering Pump Suction Line Hardware (Not Shown)</b>				<b>Coolant Reservoir Hose (Not Shown)</b>			
16	1011671	3/4" Oil Hose	40"	23	F265HH	Custom Rubber Hose	1
17	1011673	#12 Hose Clamps	2	24	1011672	#16 Hose Clamp	1
<b>Battery Cable Support Hardware</b>				25	1009294	#20 Hose Clamp	1
18	1005110	#16 Adel Clamp	1	<b>Fan Shroud Mounting Hardware</b>			
19	1016330	M6-1.0 x 20mm 10.9Gr Hex Flg. Bolt	1	26	1013333	M8-1.25 10.9Gr Flg. Nut	1
20	1018238	3/4" Protective Plastic Hose	20"	27	1002596	3/8" Flat Washer	1
21	1007564	1" Heater Hose	6"	<b>Auxiliary Alternator Mounting Hardware</b>			
22	1005413	7-1/2" Zip Ties	4	28	1006928	M10-1.5 x 80mm 10.9Gr Hex Flg Bolt	2

**Belt Routings**



PARTS LIST			
Item	Part Number	Description	Qty.
<b>Belt (Only One is Supplied)</b>			
29	1060640	Goodyear 6-Groove, 64.0" Belt	1
	5060640	Dayco 6-Groove, 64.0" Belt	1
	K060640	Gates 6-Groove, 64.0" Belt	1
	6PK1625	Metric 6-Groove, 1625mm Belt	1



# FMK26792V-I6

2023 (Build Date: 01.01.2023 or Later)-2024 Ford F-250-F-550, F-600 Super Duty  
6.7L V8 PowerStroke Diesel w/ A/C, w/ OEM Dual Alternators,  
w/o Ford ProPower Option, w/o Adaptive Steering

For use w/ Vortec 92V Style Alternator  
For use w/ 6-Groove, 2" Diameter Pulley  
Approximately 388% Overdriven w/ 2" Diameter Pulley



Fan Ring Modification  
(Remove Highlighted Areas)



Step 12 Guidance Photo



**CW Mill Equipment Co., Inc.**  
14 Commerce Drive Sabetha, KS 66534  
Phone: (785) 284-3454  
Fax: (785) 284-3601  
Email: brackets@cwmill.com  
Website: [www.cwkits.com](http://www.cwkits.com)

**MOUNTING KITS**

# FMK26792V-I6

2023 (Build Date: 01.01.2023 or Later)-2024 Ford F-250-F-550, F-600 Super Duty  
6.7L V8 PowerStroke Diesel w/ A/C, w/ OEM Dual Alternators,  
w/o Ford ProPower Option, w/o Adaptive Steering

For use w/ Vortec 92V Style Alternator  
For use w/ 6-Groove, 2" Diameter Pulley  
Approximately 388% Overdriven w/ 2" Diameter Pulley

## INSTALLER NOTES / DISCLAIMER

---

---

---

---

---

---

---

---

---

---

---

---

---

---

---

---

---

---

---

---

---

---

---

---

---

CW Mill Equipment Co., Inc. Mounting Kit and Mounting Kit Component Disclaimer: (1.) Due to the custom nature and variation of all add-on systems of this type, no complete system kits are offered by the manufacturer, and any group of parts marketed as a kit is limited to only the individually defined parts in that specific kit. The system designer's rotating accessory components are not included, offered, or fully known by the manufacturer. In addition to the absence of the rotating accessory system, other potential components such as additional clamps, brackets, wear liners, hardware, or other items that may be required by the system designer must be identified and supplied by the actual system designer. (2.) Due to vehicle manufacturer's assembly tolerances, production changes, and installation variances, it is the buyer's responsibility to ensure adequate clearance for all components including space for and safe location of the fan, radiator, all lines, and wires. Check for possible movement, vibration, friction points, heat exposure and/or shifting of any and all components such as hoses, wires, and all other components including those that may otherwise be considered non-moving and/or unaffected by the installation (3.) The buyer is responsible for the entire installation of a mounting kit as the mounting kit is part of a custom process controlled by the buyer through their whole system design and directed installer as the installer evaluates, locates, routes, aligns, and tightens all components while determining if additional clamps, brackets, wear-liners, or other components may be required, beyond those included in the kit. Any additional items required, beyond those included in the kit, are to be provided at the expense of the buyer. (4.) The buyer is responsible for the development and communication of their whole system installation procedures, safety precautions, application, and use of the engine accessory mounting kit in their system, including efforts to maintain vehicle control and prevent pinch, wear, impact, and/or burn exposure on all hoses, wires, and other parts. (5.) The buyer is responsible for providing trained and experienced installation decision making with technical know-how to apply professional judgment that specifically applies to each individual installation. The buyers chosen installers must be qualified and experienced technicians that are familiar with the vehicle and accessory being mounted as well as the buyer's whole system design and installation procedures associated with the kit. (6.) The buyer is responsible for determining and achieving compliance to all regulatory issues that apply to the use of all products. (7.) The manufacturer reserves the right to make changes and/or improvements to any product at any time with or without notice.