



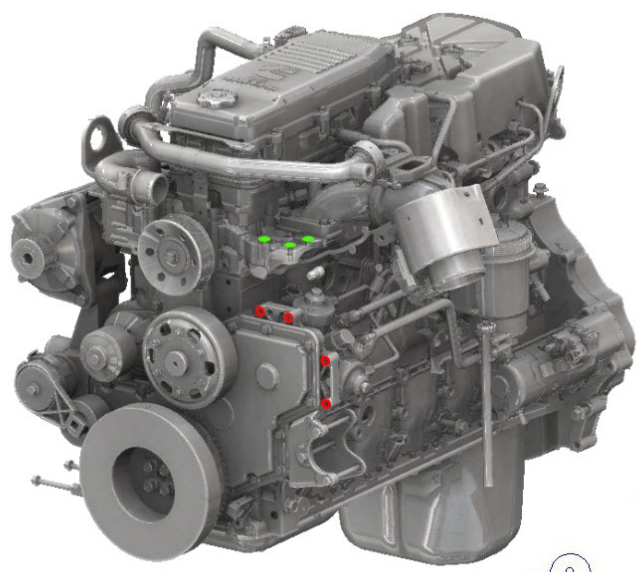
**RMK60DM-I8DA**  
2019-2024 RAM 2500-5500  
6.7L Cummins Diesel  
Direct Mount (DM)  
For use w/ AC and w/ Dual Alternator (DA)

## INSTALLATION NOTES

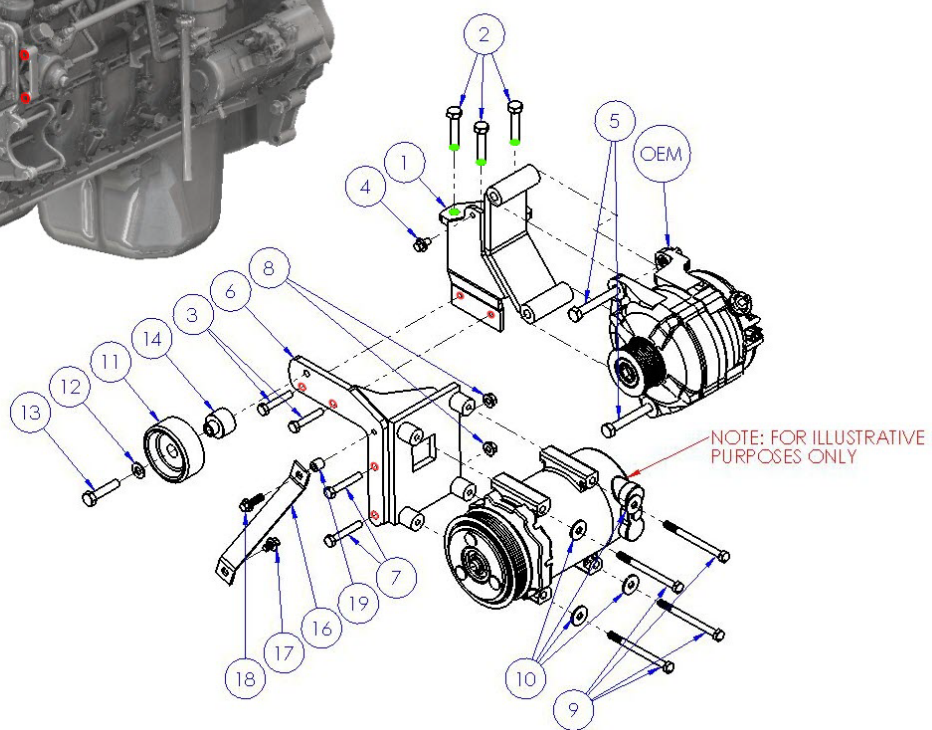
---

1. The buyer is responsible for providing trained and experienced installation decision making with technical know-how to apply professional judgment that specifically applies to each individual installation.
2. Be sure to read and understand all available information including but not limited to instructions, warnings, sale terms, and warranties for the vehicle and all system components prior to attempting installation.
3. Disconnect negative battery cables. Drain radiator below upper radiator hose. Remove hose. Remove radiator cowl. Remove the driver's side fan shroud bracket from engine, it will not be reused. Unplug the fan wire. Remove upper fan shroud. Using the appropriate tool, loosen the fan nut (fan nut has right hand threads). Then, remove the fan and fan shroud from engine compartment. Remove belt. Remove bolts from power steering through the holes in pulley. Leaving lines attached, set pump aside.
4. Remove OEM alternator and wires. Remove OEM alternator bracket saving bolts for re-installment. Install alternator bracket (RMB601DA) (1) using three 10mm OEM bolts (2). Do not tighten.
5. Using two 8mm x 50mm flange bolts (7) with 8mm flange nuts (8) and two OEM alternator bracket bolts 8mm x 45mm (3), install main bracket (RMB601DM-I8DA) (6). Tighten 8mm x 45mm OEM bolts (3) first. Then, tighten 8mm x 50mm flange bolts (7). Finally, tighten three 10mm OEM bolts (2) on alternator bracket (RMB601DA) (1). Install OEM alternator with OEM bolts (5). Install A/C compressor with 8mm x 100mm (9) and 8mm flat washer (10). Install the idler (11) onto bracket (RMB601DM-I8DA) (6) using 10mm x 45mm (13), 3/8 flat washer (12) and spacer (14). Install new belt (15) that is provided according to the belt diagram detailed below.
6. Install fan and fan shroud. Install fan shroud brace (16) using 8mm x 25mm flange bolt (18) and bushing (19) to bracket (RMB601DM-I8DA) (6). Install fan cowling using OEM and 8mm x 25mm bolt, 8mm flange nut and washer. Install upper radiator hose and using 8mm x 12mm flange bolt (4) secure to bracket (RMB601DA) (1). Reconnect battery cables. Run vehicle and check for proper belt tracking. Refill radiator antifreeze.

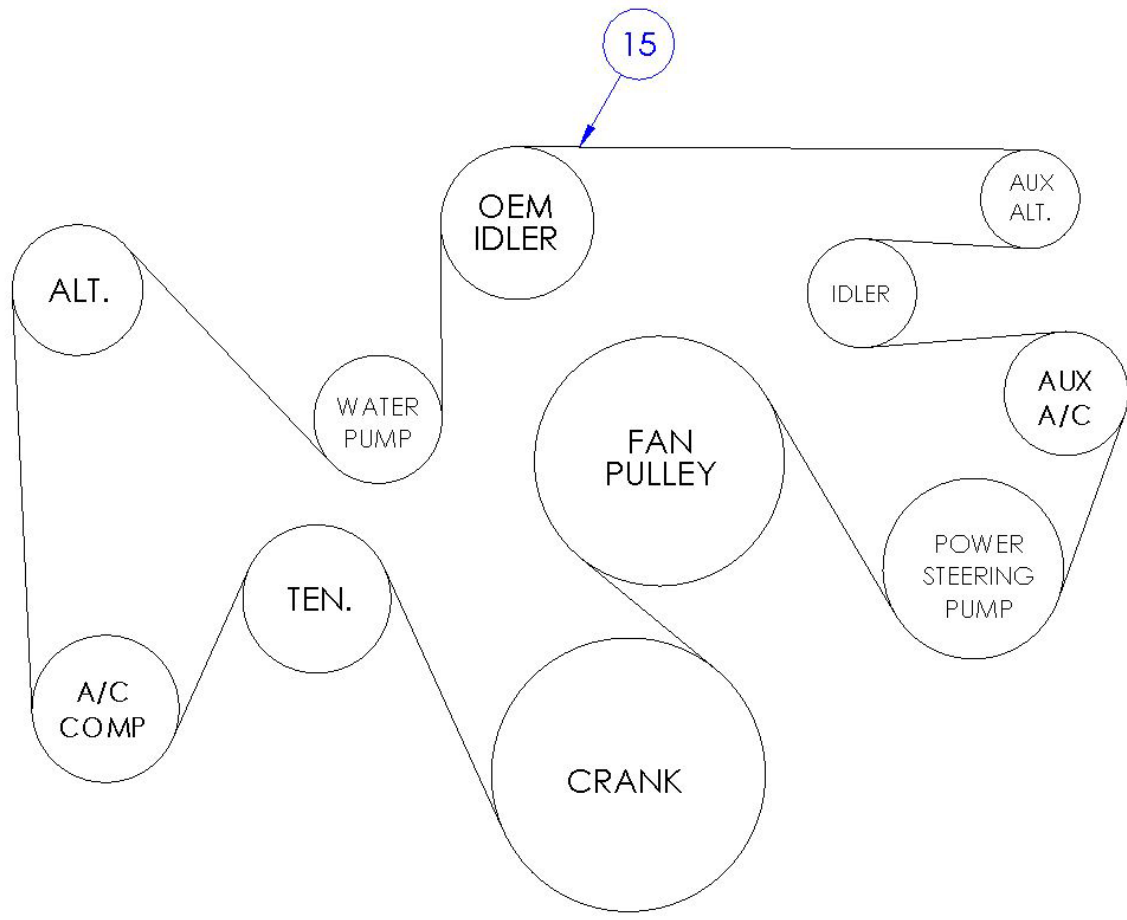
**NOTE:** Make certain any hose, wires or components that were relocated during installation are securely fastened and do not come in contact with any hot or moving parts.



ENGINE MOUNTING LOCATION  
(RMB602)  
 ENGINE MOUNTING LOCATION  
(RMB602,RMB601TM)



PARTS LIST					
Item	Description	Qty.	Item	Description	Qty.
<b>Alternator Bracket</b>			<b>Idler</b>		
1	RMB601DA	1	11	89048	1
2	OEM 10mm Bolts	3	12	3/8 Flat Washer	1
3	OEM 8mm Bolts	2	13	10mm x 45mm Bolts	1
4	8mm x 12mm Rad. Hose	1	14	DMB594 Bushing	1
5	OEM Alt. Bolts	2	<b>Belt</b>		
<b>A/C Bracket</b>			15	5081490	1
6	RMB60DM-I8DA	1	<b>Fan Shroud Brace</b>		
7	8mm x 50mm Flange Bolts	2	16	Brace	1
8	8mm Flange Nuts	2	17	8mm x 12mm Flange Bolt (Motor Side)	1
9	8mm x 100mm Bolts	4	18	8mm x 25mm Flange Bolt (Shroud Side)	1
10	8mm Flat Washer	4	19	Bushing (Install with 18)	1



Disclaimer: (1.) Due to the custom nature and variation of all add-on systems of this type, no complete system kits are offered by the manufacturer, and any group of parts marketed as a kit is limited to only the individually defined parts in that specific kit. The system designer's rotating accessory components are not included, offered, or fully known by the manufacturer. In addition to the absence of the rotating accessory system, other potential components such as additional clamps, brackets, wear liners, hardware, or other items that may be required by the system designer must be identified and supplied by the actual system designer. (2.) Due to vehicle manufacturer's assembly tolerances, production changes, and installation variances, it is the buyer's responsibility to ensure adequate clearance for all components including space for and safe location of the fan, radiator, all lines, and wires. Check for possible movement, vibration, friction points, heat exposure and/or shifting of any and all components such as hoses, wires, and all other components including those that may otherwise be considered non-moving and/or unaffected by the installation (3.) The buyer is responsible for the entire installation of a mounting kit as the mounting kit is part of a custom process controlled by the buyer through their whole system design and directed installer as the installer evaluates, locates, routes, aligns, and tightens all components while determining if additional clamps, brackets, wear-liners, or other components may be required, beyond those included in the kit. Any additional items required, beyond those included in the kit, are to be provided at the expense of the buyer. (4.) The buyer is responsible for the development and communication of their whole system installation procedures, safety precautions, application, and use of the engine accessory mounting kit in their system, including efforts to maintain vehicle control and prevent pinch, wear, impact, and/or burn exposure on all hoses, wires, and other parts. (5.) The buyer is responsible for providing trained and experienced installation decision making with technical know-how to apply professional judgment that specifically applies to each individual installation. The buyers chosen installers must be qualified and experienced technicians that are familiar with the vehicle and accessory being mounted as well as the buyer's whole system design and installation procedures associated with the kit. (6.) The buyer is responsible for determining and achieving compliance to all regulatory issues that apply to the use of all products. (7.) The manufacturer reserves the right to make changes and/or improvements to any product at any time with or without notice.