



## VCK4192V-I6

2021-2024 Chevrolet Express 2500-3500 Van, 3500-4500 Cutaway  
2021-2024 GMC Savana 2500-3500 Van, 3500-4500 Cutaway  
6.6L V8 Gas w/ A/C, w/o Dual Alternators

Requires 6 or 8-Groove, 2" Diameter Pulley  
For use w/ Vortec 92V Style Alternator  
375% Overdrive Ratio w/ 2" Diameter Clutch

### INSTALLATION NOTES

---

1. The buyer is responsible for providing trained and experienced installation decision making with technical know-how to apply professional judgment that specifically applies to each individual installation.
2. Be sure to read and understand all available information including but not limited to instructions, warnings, sale terms, and warranties for the vehicle and all system components prior to attempting installation.
3. Disconnect negative battery cable. Drain coolant low enough for top radiator hose removal. Remove air cleaner assembly. Remove air resonator and discard. Install 2" aluminum plug (10) in its place.
4. Remove upper radiator hose. Remove serpentine belt. Remove oil fill tube. Cut tube bracket as shown. Remove power steering pump. The bolts can be discarded. Remove power steering pump OEM bracket. Cut approximately 4-1/2" off hose from power steering reservoir to pump and reinstall. Remove wire harness bracket. The bracket may be discarded.
5. Remove emission tube from valve cover to intake. Install emission hose assembly (11-14). Small hose (11) will be installed at the intake.
6. Install main bracket (1) with mounting hardware (3-4) at locations [A,B]. Install OEM power steering pump with mounting hardware (5). Install oil fill tube to main bracket (1) with hardware (15-16). Install auxiliary alternator with mounting hardware (27). Install smooth idler pulley assembly (6-9) to main bracket (1). Install belt (28) – While tensioner is held. Push the smooth idler pulley assembly down and tighten.
7. Install upper radiator hose assembly (17-25). Cut approximately 5" off small bypass hose and reinstall using zip ties (26). Secure to radiator hose and away from any hot or moving parts. Trim any excess zip tie.
8. Install air cleaner assembly. Refill power steering fluid. Refill radiator.

**CAUTION:** Before starting the engine. Check to make certain no wires, hoses, etc. that may have been disturbed during installation do not come in contact with any hot or moving parts. Run the engine and check for proper belt tracking, adjust if necessary.

Disclaimer: (1.) Due to the custom nature and variation of all add-on systems of this type, no complete system kits are offered by the manufacturer, and any group of parts marketed as a kit is limited to only the individually defined parts in that specific kit. The system designer's rotating accessory components are not included, offered, or fully known by the manufacturer. In addition to the absence of the rotating accessory system, other potential components such as additional clamps, brackets, wear liners, hardware, or other items that may be required by the system designer must be identified and supplied by the actual system designer. (2.) Due to vehicle manufacturer's assembly tolerances, production changes, and installation variances, it is the buyer's responsibility to ensure adequate clearance for all components including space for and safe location of the fan, radiator, all lines, and wires. Check for possible movement, vibration, friction points, heat exposure and/or shifting of any and all components such as hoses, wires, and all other components including those that may otherwise be considered non-moving and/or unaffected by the installation (3.) The buyer is responsible for the entire installation of a mounting kit as the mounting kit is part of a custom process controlled by the buyer through their whole system design and directed installer as the installer evaluates, locates, routes, aligns, and tightens all components while determining if additional clamps, brackets, wear-liners, or other components may be required, beyond those included in the kit. Any additional items required, beyond those included in the kit, are to be provided at the expense of the buyer. (4.) The buyer is responsible for the development and communication of their whole system installation procedures, safety precautions, application, and use of the engine accessory mounting kit in their system, including efforts to maintain vehicle control and prevent pinch, wear, impact, and/or burn exposure on all hoses, wires, and other parts. (5.) The buyer is responsible for providing trained and experienced installation decision making with technical know-how to apply professional judgment that specifically applies to each individual installation. The buyers chosen installers must be qualified and experienced technicians that are familiar with the vehicle and accessory being mounted as well as the buyer's whole system design and installation procedures associated with the kit. (6.) The buyer is responsible for determining and achieving compliance to all regulatory issues that apply to the use of all products. (7.) The manufacturer reserves the right to make changes and/or improvements to any product at any time with or without notice.

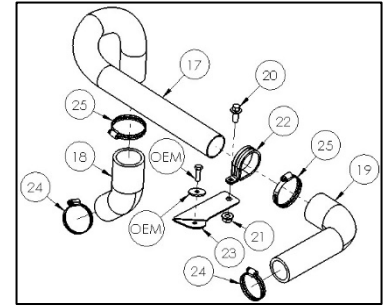
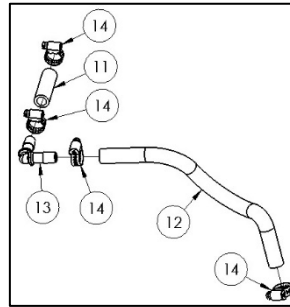
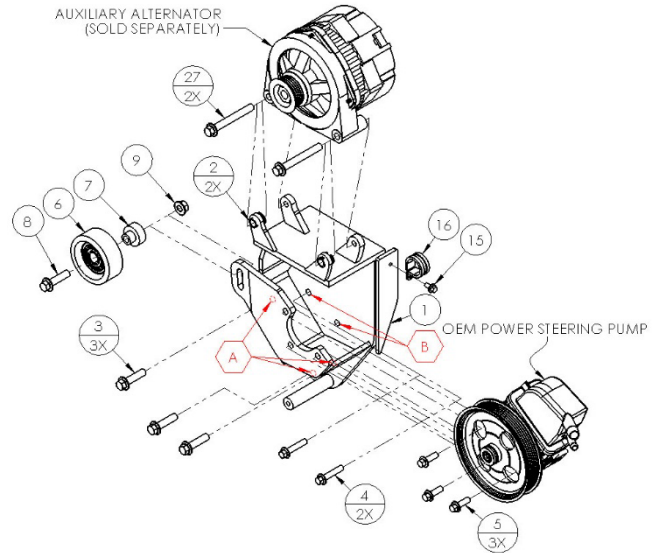
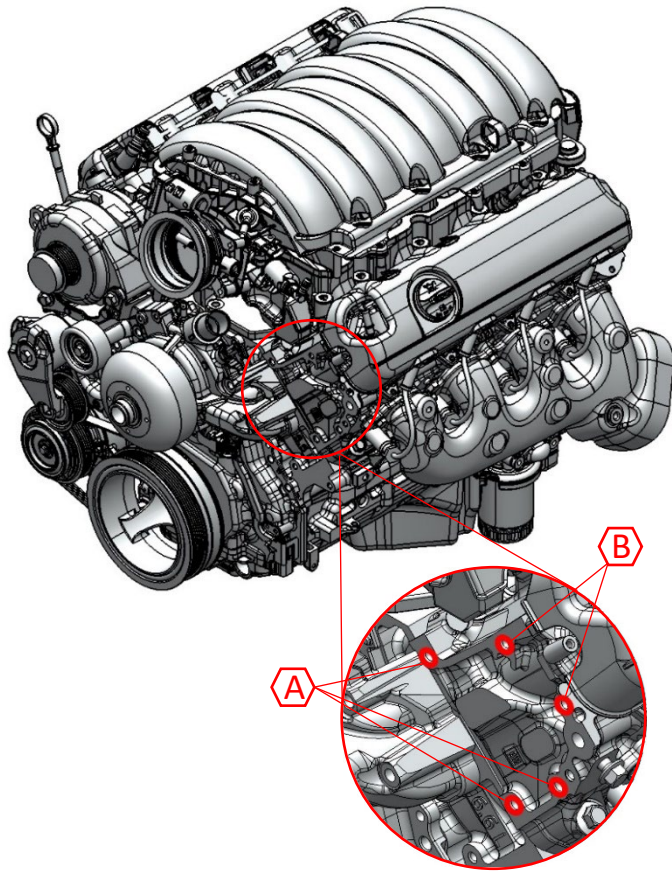


**CW Mill Equipment Co., Inc.**  
 14 Commerce Drive Sabetha, KS 66534  
 Phone: (785) 284-3454  
 Fax: (785) 284-3601  
 Email: brackets@cwmill.com  
 Website: [www.cwkits.com](http://www.cwkits.com)

# VCK4192V-I6

2021-2024 Chevrolet Express 2500-3500 Van, 3500-4500 Cutaway  
 2021-2024 GMC Savana 2500-3500 Van, 3500-4500 Cutaway  
 6.6L V8 Gas w/ A/C, w/o Dual Alternators

Requires 6 or 8-Groove, 2" Diameter Pulley  
 For use w/ Vortec 92V Style Alternator  
 375% Overdrive Ratio w/ 2" Diameter Clutch



## PARTS LIST

Item	Part Number	Description	Qty.	Item	Part Number	Description	Qty.
<b>Main Bracket</b>				<b>Upper Radiator Hose Assembly</b>			
1	VCMB4192V-I6	Main Bracket	1	17	VCMB41-16-010	Custom Steel Pipe	1
2	1011888A	M14 Slide Bushing (Installed)	2	18	VCMB411	45° Rubber Hose Line	1
<b>Main Bracket Mounting Hardware</b>				19	VCMB412	90° Rubber Hose Line	1
3	1006933	M10-1.5 x 40mm 10.9Gr Hex Flange Bolt	3	20	1013329	M8-1.25 x 20mm 10.9Gr Hex Flange Bolt	1
4	1018223	M8-1.25 x 40mm 10.9Gr Hex Flange Bolt	2	21	1013333	M8-1.25 10.9Gr Hex Flange Nut	1
<b>OEM Power Steering Pump Mounting Hardware</b>				22	1007886	#24 Adel Clamp	1
5	1011887	M8-1.25 x 25mm 10.9Gr Hex Flange Bolt	3	23	VCMB41-16-011	Upper Radiator Hose Bracket	1
<b>Smooth Idler Pulley Assembly</b>				24	1009294	#20 Hose Clamp	2
6	89007	Dayco 89007 Smooth Idler Pulley	1	25	1016325	#24 Hose Clamp	2
7	FMB241-1	Machined Idler Pulley Bushing	1	<b>Bypass Hose Zip Ties (Not Shown)</b>			
8	1018225	M10-1.5 x 55mm 10.9Gr Hex Flange Bolt	1	26	1005417	Zip Tie	2
9	1018204	M10-1.5 10.9Gr Hex Flange Nut	1	<b>Auxiliary Alternator Mounting Hardware</b>			
<b>Air Resonator Plug (Not Shown)</b>				27	1006928	M10-1.5 x 80mm 10.9Gr Hex Flange Bolt	2
10	CMB263AP	2" Aluminum Plug	1	<b>Belt (Only One Belt is Supplied)</b>			
<b>Emmissions Hose Assembly (Items 11-13 are Assembled)</b>				28	5060950	Dayco 6-Groove, 95.0" Belt	1
11	1018234	3/8" Hose	1.75"	K060950	Gates 6-Groove, 95.0" Belt	1	
12	1018234	3/8" Hose	10.25"	1060950	Goodyear 6-Groove, 95.0" Belt	1	
13	1022518	3/8" 90° Plastic Elbow	1	6PK2410	Bando 6-Groove, 2410mm Belt	1	
14	1016347	#4 Hose Clamps	4				
<b>Oil Fill Tube Clamp Assembly</b>							
15	1016340	M6-1.0 x 12mm 10.9Gr Hex Flange Bolt	1				
16	1005111	#14 Adel Clamp	1				



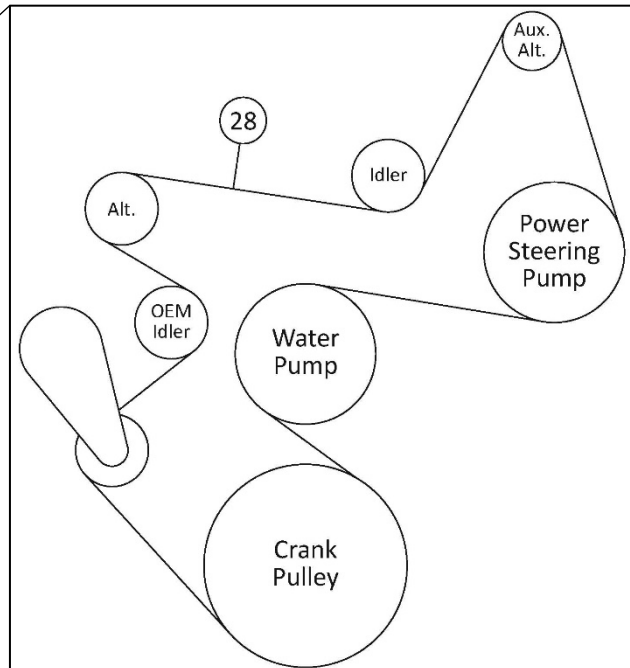
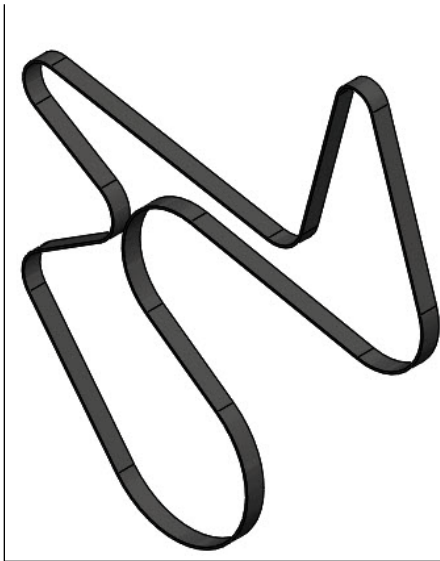
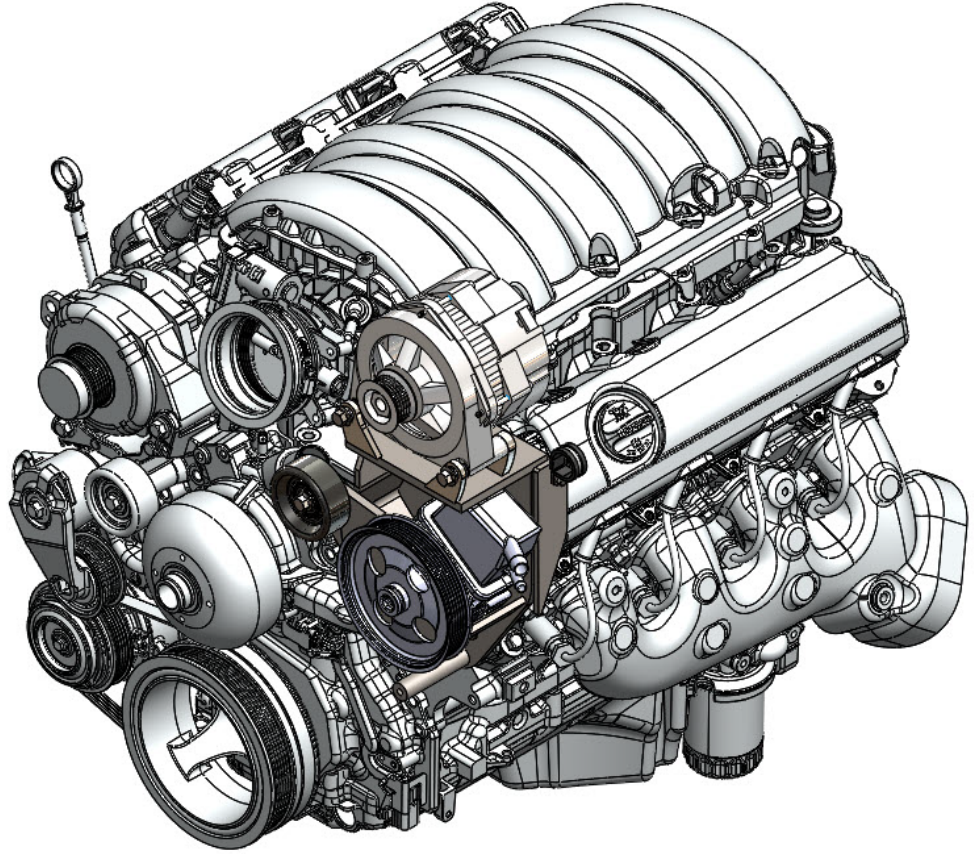
**CW Mill Equipment Co., Inc.**  
14 Commerce Drive Sabetha, KS 66534  
Phone: (785) 284-3454  
Fax: (785) 284-3601  
Email: brackets@cwmill.com  
Website: [www.cwkits.com](http://www.cwkits.com)

# VCK4192V-I6

2021-2024 Chevrolet Express 2500-3500 Van, 3500-4500 Cutaway  
2021-2024 GMC Savana 2500-3500 Van, 3500-4500 Cutaway  
6.6L V8 Gas w/ A/C, w/o Dual Alternators

Requires 6 or 8-Groove, 2" Diameter Pulley  
For use w/ Vortec 92V Style Alternator  
375% Overdrive Ratio w/ 2" Diameter Clutch

## Belt Routing



Belt Routing (28)

# VCK4192V-I6

2021-2024 Chevrolet Express 2500-3500 Van, 3500-4500 Cutaway  
2021-2024 GMC Savana 2500-3500 Van, 3500-4500 Cutaway  
6.6L V8 Gas w/ A/C, w/o Dual Alternators

Requires 6 or 8-Groove, 2" Diameter Pulley  
For use w/ Vortec 92V Style Alternator  
375% Overdrive Ratio w/ 2" Diameter Clutch

## Instruction Photos



Oil Tube Bracket (Cut at Red Dotted Line)



Bypass Hose (Cut at Red Dotted Line)



Kit Assembly (As Shown: Auxiliary A/C Compressor)