



VFK13092V-I4

2020-2024 Ford Transit 150-350
3.5L EcoBoost V6 Gas w/ A/C, w/o OEM Dual Alternators, w/-w/o AWD
3.5L PFDi V6 Gas w/ A/C, w/o OEM Dual Alternators, w/-w/o AWD

Must use Vortec 92V Style Alternator
For use w/ 6-Groove, 2" Diameter Pulley
300% Overdrive Ratio w/ 2" Diameter Pulley

INSTALLATION NOTES

1. The buyer is responsible for providing trained and experienced installation decision making with technical know-how to apply professional judgment that specifically applies to each individual installation.
2. Be sure to read and understand all available information including but not limited to instructions, warnings, sales terms, and warranties for the vehicle and all system components prior to attempting installation.
3. Disconnect the negative battery cable. Remove air duct for access to the OEM A/C compressor.

NOTE: On EcoBoost models remove the two charge-air tubes on the passenger side as well.

4. Remove both engine belts. The 4-groove belt will not be reused. Remove the three bolts from the OEM A/C compressor and lay aside. Remove the two split bushings from holes [B,C].
5. Install alignment bushings (6) on the engine at locations [B,C]. Install main bracket (1) onto the engine with bolt (5) at location [A]. Torque this installed bolt to 30-35 ft. lbs.

NOTE: On PFDi engines the oil pressure sensor wire will stay in its OEM location. Do not run the wire on the front side of the bracket.

6. Install the OEM A/C compressor at locations [B,C,D] with bolts (3) and washers (4). Torque bolts to 22-26 ft. lbs.
7. Install idler (7) and bushing (8) with bolt (9) and washer (10). Torque bolt to 30 ft. lbs.
8. Install tensioner (11) with bolt (12). Torque bolt to 22-25 ft. lbs.
9. Install the aftermarket alternator with bolts (13). Torque bolts to 30 ft. lbs.
10. Install the aftermarket alternator belt (14) and route it as shown in the diagram.

NOTE: The 4-groove belt will run on the back (closest to alternator) four grooves of the 6-groove alternator pulley.

11. Install the OEM belt back to its original routing.
12. Replace the air duct and charge air tubes if equipped.
13. Connect battery cable. Start the engine and check for proper belt tracking.

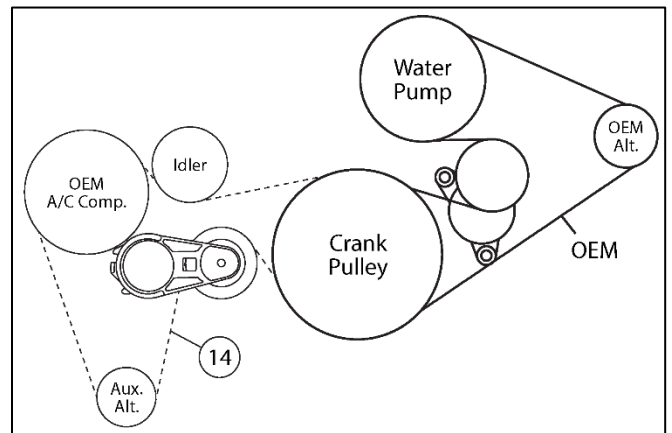
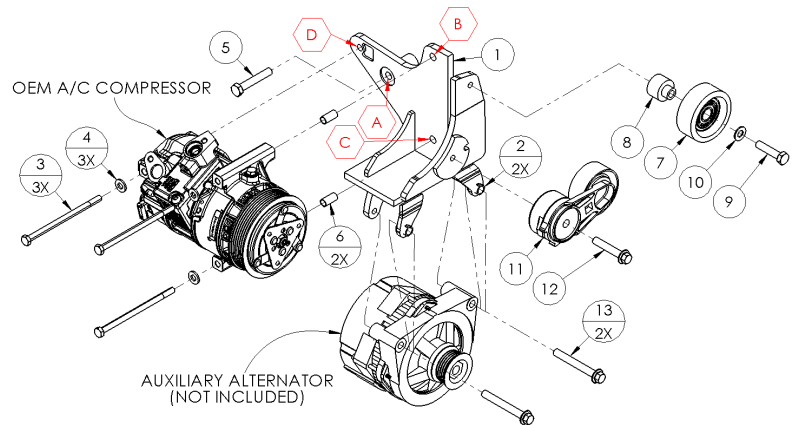
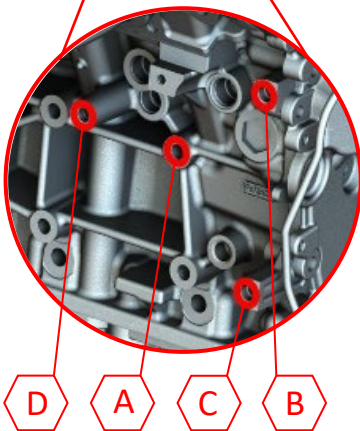
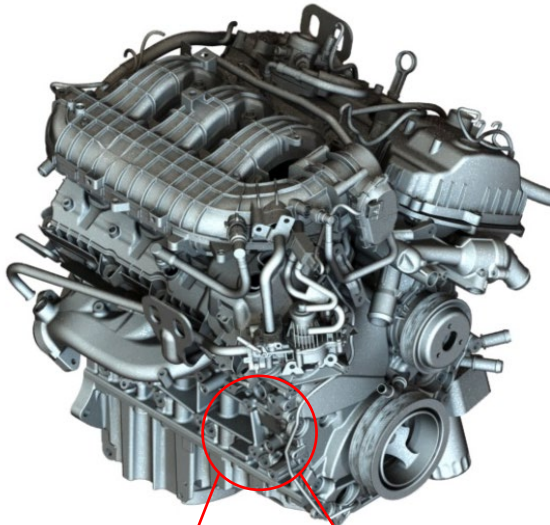
WARNING: Before starting the engine. Check to make certain no wires, hoses, etc. that may have been disturbed during installation do not come in contact with any hot or moving parts. Run the engine and check for proper belt tracking, adjust if necessary. It is the installer's responsibility to make sure that all components are in proper position and alignment.

VFK13092V-I4

2020-2024 Ford Transit 150-350
 3.5L EcoBoost V6 Gas w/ A/C, w/o OEM Dual Alternators, w/-w/o AWD
 3.5L PFDi V6 Gas w/ A/C, w/o OEM Dual Alternators, w/-w/o AWD

Must use Vortec 92V Style Alternator
 For use w/ 6-Groove, 2" Diameter Pulley
 300% Overdrive Ratio w/ 2" Diameter Pulley

Parts List



PARTS LIST							
Item	Part Number	Description	Qty.	Item	Part Number	Description	Qty.
Main Bracket				9	1006630	M10-1.5 x 45mm 10.9Gr Hex Bolt	1
1	VFMP13092V-I4	Main Bracket	1	10	1007644	3/8" USS Flat Washer	1
2	1011888A	M14 Slide Bushing (Installed)	2	Tensioner Assembly			
Main Bracket Mounting Hardware				11	89396	Dayco Tensioner	1
3	1018288	M8-1.25 x 140mm 10.9Gr Hex Bolt	3	12	1006925	M10-1.5 x 55mm 10.9Gr Hex Flg. Bolt	1
4	1010202	M8 Flat Washer	3	Auxiliary Alternator Mounting Hardware			
5	1007594	M10-1.5 x 60mm 10.9Gr Hex Bolt	1	13	1006928	M10-1.5 x 80mm 10.9Gr Hex Flg. Bolt	2
6	001219	Machined Alignment Bushing	2	Belt			
Smooth Idler Pulley Assembly				14	5040500	Dayco 4-Groove, 50.0" Belt	1
7	89007	Dayco Smooth Idler Pulley	1				
8	VFMB130-1	Machined Idler Bushing	1				



CW Mill Equipment Co., Inc.
14 Commerce Drive Sabetha, KS 66534
Phone: (785) 284-3454
Fax: (785) 284-3601
Email: brackets@cwmill.com
Website: www.cwkits.com

VFK13092V-I4

2020-2024 Ford Transit 150-350

3.5L EcoBoost V6 Gas w/ A/C, w/o OEM Dual Alternators, w/-w/o AWD

3.5L PFDi V6 Gas w/ A/C, w/o OEM Dual Alternators, w/-w/o AWD

Must use Vortec 92V Style Alternator

For use w/ 6-Groove, 2" Diameter Pulley

300% Overdrive Ratio w/ 2" Diameter Pulley

NOTES

Disclaimer: (1.) Due to the custom nature and variation of all add-on systems of this type, no complete system kits are offered by the manufacturer, and any group of parts marketed as a kit is limited to only the individually defined parts in that specific kit. The system designer's rotating accessory components are not included, offered, or fully known by the manufacturer. In addition to the absence of the rotating accessory system, other potential components such as additional clamps, brackets, wear liners, hardware, or other items that may be required by the system designer must be identified and supplied by the actual system designer. (2.) Due to vehicle manufacturer's assembly tolerances, production changes, and installation variances, it is the buyer's responsibility to ensure adequate clearance for all components including space for and safe location of the fan, radiator, all lines, and wires. Check for possible movement, vibration, friction points, heat exposure and/or shifting of any and all components such as hoses, wires, and all other components including those that may otherwise be considered non-moving and/or unaffected by the installation (3.) The buyer is responsible for the entire installation of a mounting kit as the mounting kit is part of a custom process controlled by the buyer through their whole system design and directed installer as the installer evaluates, locates, routes, aligns, and tightens all components while determining if additional clamps, brackets, wear-liners, or other components may be required, beyond those included in the kit. Any additional items required, beyond those included in the kit, are to be provided at the expense of the buyer. (4.) The buyer is responsible for the development and communication of their whole system installation procedures, safety precautions, application, and use of the engine accessory mounting kit in their system, including efforts to maintain vehicle control and prevent pinch, wear, impact, and/or burn exposure on all hoses, wires, and other parts. (5.) The buyer is responsible for providing trained and experienced installation decision making with technical know-how to apply professional judgment that specifically applies to each individual installation. The buyers chosen installers must be qualified and experienced technicians that are familiar with the vehicle and accessory being mounted as well as the buyer's whole system design and installation procedures associated with the kit. (6.) The buyer is responsible for determining and achieving compliance to all regulatory issues that apply to the use of all products. (7.) The manufacturer reserves the right to make changes and/or improvements to any product at any time with or without notice.