



CMK263SD508-I6

2020-2024 Chevrolet Silverado 2500HD-3500HD
2020-2024 GMC Sierra 2500HD-3500HD
6.6L V8 Duramax Diesel w/ A/C, w/o Dual Alternators

Requires 6 or 8-Groove, 119mm Diameter Clutch
For use w/ TM13 TM15 or TM16 Ear Mount Compressor

INSTALLATION NOTES

1. The buyer is responsible for providing trained and experienced installation decision making with technical know-how to apply professional judgment that specifically applies to each individual installation.
2. Be sure to read and understand all available information including but not limited to instructions, warnings, sale terms, and warranties for the vehicle and all system components prior to attempting installation.
3. Disconnect the batteries. Remove resonator from air duct (it will not be reused) and install the 2" aluminum plug (16). It is not necessary, but by removing the air filter box. It will allow better access to the belt tensors.
4. Remove both OEM belts.
5. Install main bracket (1) with bolt (3) at mounting location [A] and bolts (4) at mounting location [B].
6. Remove OEM idler at location [C]. Install smooth idler pulley assembly (Group 2) (9-12) onto the engine at mounting location [D].
7. Install the auxiliary A/C compressor assembly according to the manufacturers' specifications onto the main bracket (1). Use auxiliary A/C compressor mounting hardware (13-15) to do so.
8. Install belt (17). Route it according the belt diagram. With the tensioner completely loaded, install the smooth idler pulley assembly (Group 1) (5-8) onto the main bracket (1) into the inner most hole it can be installed in. Release the tensioner.
9. Install the OEM 8-groove fan belt.
10. Reconnect the batteries.

CAUTION: Before starting the engine. Check to make certain no wires, hoses, etc. that may have been disturbed during installation do not come in contact with any hot or moving parts. Run the engine and check for proper belt tracking, adjust if necessary.

CW Mill Equipment Co., Inc. Mounting Kit and Mounting Kit Component Disclaimer: (1.) Due to the custom nature and variation of all add-on systems of this type, no complete system kits are offered by the manufacturer, and any group of parts marketed as a kit is limited to only the individually defined parts in that specific kit. The system designer's rotating accessory components are not included, offered, or fully known by the manufacturer. In addition to the absence of the rotating accessory system, other potential components such as additional clamps, brackets, wear liners, hardware, or other items that may be required by the system designer must be identified and supplied by the actual system designer. (2.) Due to vehicle manufacturer's assembly tolerances, production changes, and installation variances, it is the buyer's responsibility to ensure adequate clearance for all components including space for and safe location of the fan, radiator, all lines, and wires. Check for possible movement, vibration, friction points, heat exposure and/or shifting of any and all components such as hoses, wires, and all other components including those that may otherwise be considered non-moving and/or unaffected by the installation (3.) The buyer is responsible for the entire installation of a mounting kit as the mounting kit is part of a custom process controlled by the buyer through their whole system design and directed installer as the installer evaluates, locates, routes, aligns, and tightens all components while determining if additional clamps, brackets, wear-liners, or other components may be required, beyond those included in the kit. Any additional items required, beyond those included in the kit, are to be provided at the expense of the buyer. (4.) The buyer is responsible for the development and communication of their whole system installation procedures, safety precautions, application, and use of the engine accessory mounting kit in their system, including efforts to maintain vehicle control and prevent pinch, wear, impact, and/or burn exposure on all hoses, wires, and other parts. (5.) The buyer is responsible for providing trained and experienced installation decision making with technical know-how to apply professional judgment that specifically applies to each individual installation. The buyers chosen installers must be qualified and experienced technicians that are familiar with the vehicle and accessory being mounted as well as the buyer's whole system design and installation procedures associated with the kit. (6.) The buyer is responsible for determining and achieving compliance to all regulatory issues that apply to the use of all products. (7.) The manufacturer reserves the right to make changes and/or improvements to any product at any time with or without notice.

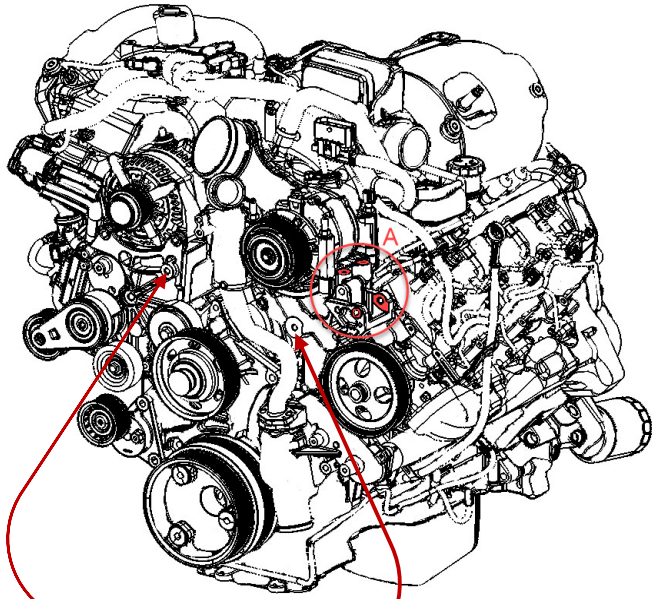


CW Mill Equipment Co., Inc.
 14 Commerce Drive Sabetha, KS 66534
 Phone: (785) 284-3454
 Fax: (785) 284-3601
 Email: brackets@cwmill.com
 Website: www.cwkits.com

CMK263SD508-I6

2020-2024 Chevrolet Silverado 2500HD-3500HD
 2020-2024 GMC Sierra 2500HD-3500HD
 6.6L V8 Duramax Diesel w/ A/C, w/o Dual Alternators

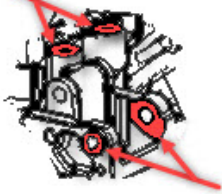
Requires 6 or 8-Groove, 119mm Diameter Clutch
 For use w/ TM13 TM15 or TM16 Ear Mount Compressor



LOCATION [C]

LOCATION [D]

LOCATION [B]

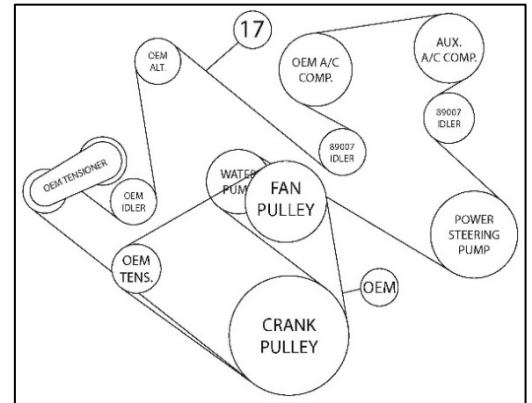
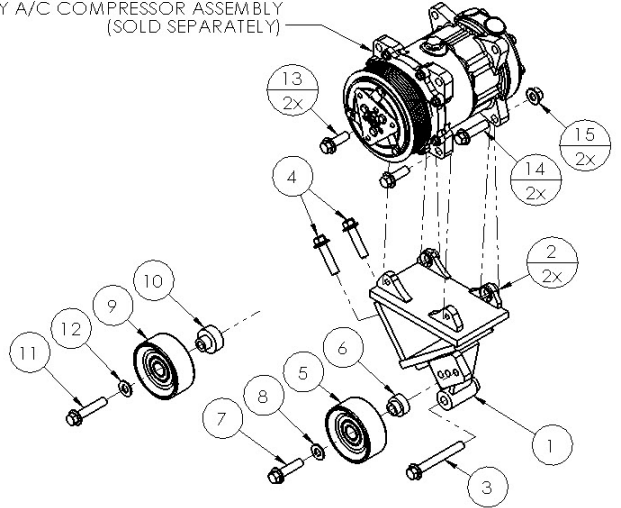


DETAIL A

LOCATION [A]

Engine Mounting Locations [A-D]

AUXILIARY A/C COMPRESSOR ASSEMBLY
 (SOLD SEPARATELY)



Belt Routing (17)

PARTS LIST

Item	Part Number	Description	Qty.	Item	Part Number	Description	Qty.
Main Bracket							
1	CMB263SD508-I6	Main Bracket	1	11	1006934	M10-1.5 x 50mm 10.9Gr Hex Flg. Bolt	1
2	1011888A	M14 Slide Bushing (Installed)	2	12	1007644	3/8" Flat Washer	1
Main Bracket Mounting Hardware				Auxiliary A/C Compressor Mounting Hardware			
3	1003980M	M10-1.5 x 80mm 10.9Gr Hex Bolt (Modified)	1	13	1006927	M10-1.5 x 30mm 10.9Gr Hex Flg. Bolt	2
4	1006933	M10-1.5 x 40mm 10.9Gr Hex Flg. Bolt	2	14	1006933	M10-1.5 x 40mm 10.9Gr Hex Flg. Bolt	2
Smooth Idler Pulley Assembly (Group 1)				Air Duct Plug (Not Shown)			
5	TIPCS	Custom Machined Smooth Idler Pulley	1	15	1018204	M10-1.5 10.9Gr Hex Flg. Nut	2
6	CMB3867	Machined Idler Bushing (1" Dia.)	1	16	CMB263AP	2" Aluminum Plug	1
7	1006933	M10-1.5 x 40mm 10.9Gr Hex Flg. Bolt	1	Belt			
8	1007644	3/8" Flat Washer	1	17	5061380	Dayco 6-Groove 138.0" Belt	1
Smooth Idler Pulley Assembly (Group 2)							
9	TIPCS	Custom Machined Smooth Idler Pulley	1				
10	CMB263-1	Machined Idler Bushing (1-1/4" Dia.)	1				