



RMK61A-6

2019-2024 RAM 2500-5500

6.7L I6 Cummins Diesel w/ A/C, w/o OEM Dual Alternators

Must use Parker P16 Series SAE Two-Bolt 'A' Flange Pump; Must be Side Ported
Must use P16-85 Section Size Pump or Smaller (Clearance)
For use with 6-Groove Clutch

NOTE: For Trucks Equipped w/ Lane Departure
NOTE: Trucks Equipped w/ OEM Dual Alternators,
the Secondary Alternator Will be Removed

INSTALLATION NOTES

1. The buyer is responsible for providing trained and experienced installation decision making with technical know-how to apply professional judgment that specifically applies to each individual installation.
2. Be sure to read and understand all available information including but not limited to instructions, warnings, sale terms, and warranties for the vehicle and all system components prior to attempting installation.
3. Disconnect the negative battery cables. Remove plastic cover over radiator. Remove upper radiator hose brace from the engine and hose. Leave the clamp around the hose in place as it will be reused. The upper radiator hose can be removed for easier access for installation.
4. Remove OEM serpentine belt. Remove the left hand (driver's) side fan shroud brace. Removal of power steering pump bolts will be needed. Discard brace. Reinstall power steering pump OEM bolts. Add power steering pump fitting (17) as shown in the image. If the truck is equipped with OEM dual alternators: Remove the secondary OEM alternator and wire at the box. Remove OEM alternator bracket.
5. Remove the upper grooved idler from the engine. Install add-on pulley assembly (1-4) in this location and torque bolt (4) to 35-38 ft/lbs. Make certain the 6-grooves of the pulley are towards the radiator. If truck is equipped with an OEM single alternator: Reinstall OEM serpentine belt, and use belt (23) as a spare replacement belt. If truck is equipped with an OEM dual alternator: Install multiple accessories belt (23).
6. Install the clutch pump onto bracket (5) with mounting hardware (18-21) according to manufacturer's specifications. Install the bracket and pump assembly onto the engine with one of bolts (6) at the inside hole location [A]. Do not tighten. Install hose brace (7) as shown in the illustration with bolts (6) at the other two-hole locations [A]. Torque bolts to 35-38 ft/lbs. Reattach the upper radiator hose to brace (7) with hardware (8-9). Install the coil and clutch with hardware according to manufacturer's specifications.
7. Install tensioner (14) onto bracket (5) with hardware (15-16) according to the illustrations. Torque bolt to 25 ft/lbs. Install belt (22) as shown. Install fan shroud brace (10) onto bracket (5) with bolt (11). Do not completely tighten. With brace (10) pointed forward. Secure brace (10) to the fan shroud with hardware (12-13), bolt (11).
8. Properly refill any fluids that may have been drained. Reconnect the negative battery cable.

WARNING: Before starting the engine. Check to make certain no wires, hoses, etc. that may have been disturbed during installation do not come in contact with any hot or moving parts. Run the engine and check for proper belt tracking, adjust if necessary. It is the installer's responsibility to make sure that all components are in proper position and alignment.

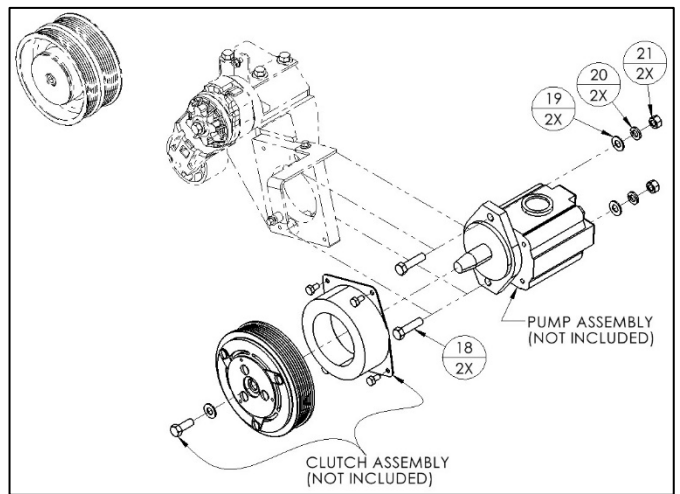
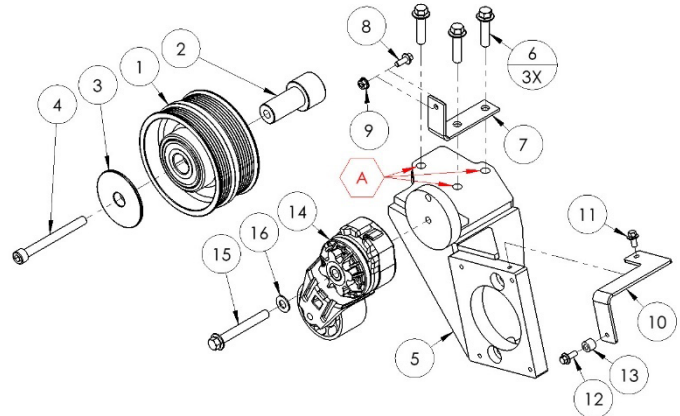
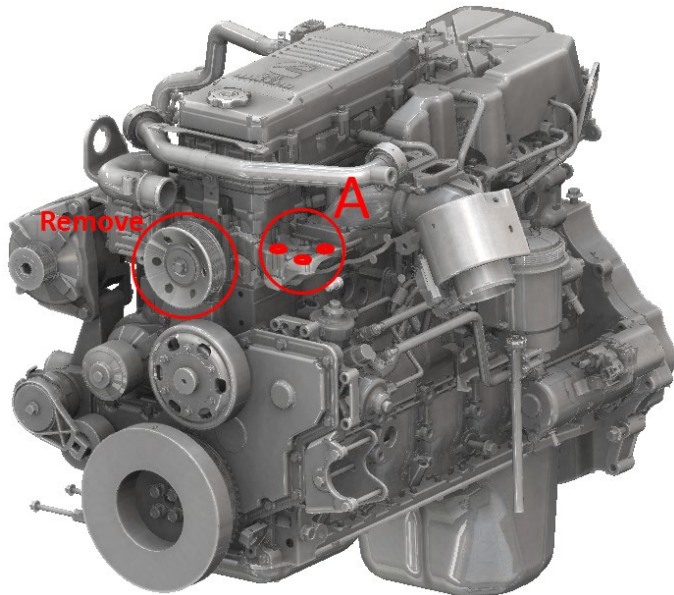
RMK61A-6

2019-2024 RAM 2500-5500
 6.7L I6 Cummins Diesel w/ A/C, w/o OEM Dual Alternators

Must use Parker P16 Series SAE Two-Bolt 'A' Flange Pump; Must be Side Ported
 Must use P16-85 Section Size Pump or Smaller (Clearance)
 For use with 6-Groove Clutch

NOTE: For Trucks Equipped w/ Lane Departure
NOTE: Trucks Equipped w/ OEM Dual Alternators,
the Secondary Alternator Will be Removed

Parts List

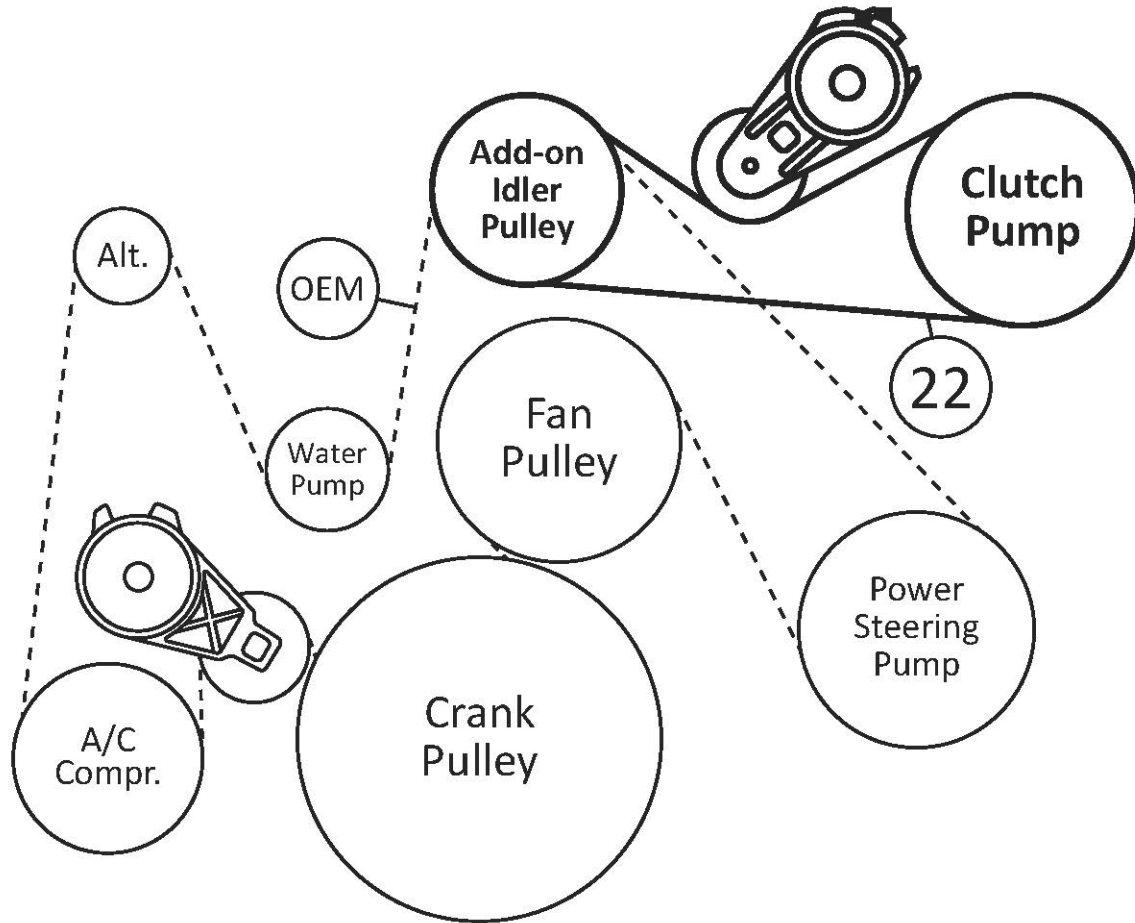


PARTS LIST							
Item	Part Number	Description	Qty.	Item	Part Number	Description	Qty.
Add-on Idler Pulley Assembly (DPC556DA: Includes Items (1-4))				12	1016329	M6-1.0 x 16mm 10.9Gr Hex Flg. Bolt	1
1	DPC556D	Add-on Idler Pulley	1	13	RMB60TM-6	Tapped Machined Bushing	1
2	DMB550D	Machined Idler Bushing (1-1/2" Diameter)	1	Tensioner Assembly			
3	DMB554	Machined Idler Dust Cover	1	14	89200B	Dayco Tensioner	1
4	1011648	M10-1.5 x 100mm 12.9Gr SHCS	1	15	1006928	M10-1.5 x 80mm 10.9Gr Hex Flg. Bolt	1
Auxiliary Clutch Pump Mounting Bracket				16	1007644	3/8" USS Flat Washer	1
5	RMB61A-6	Auxiliary Clutch Pump Mounting Bracket	1	Power Steering Pump Fitting (Not Shown)			
Auxiliary Clutch Pump Mounting Hardware				17	RMB603LD	Power Steering Pump Fitting	1
6	1006933	M10-1.5 x 40mm 10.9Gr Hex Flg. Bolt	3	Auxiliary Clutch Pump Mounting Hardware			
Upper Radiator Hose Support Brace Assembly				18	1005139	3/8"-16 x 1-1/2" Gr5 Hex Bolt	2
7	RMB613	Upper Radiator Hose Support Brace	1	19	1007644	3/8" USS Flat Washer	2
8	1016329	M6-1.0 x 16mm 10.9Gr Hex Flg. Bolt	1	20	1010315	3/8" Med Lock Washer	2
9	1016331	M6-1.0 10.9Gr Hex Flg. Nut	1	21	1010314	3/8"-16 Gr5 Hex Nut	2
Fan Shroud Support Brace Assembly							
10	RMB614	Fan Shroud Support Brace	1				
11	1016340	M6-1.0 x 12mm 10.9Gr Hex Flg. Bolt	1				

Must use Parker P16 Series SAE Two-Bolt 'A' Flange Pump; Must be Side Ported
 Must use P16-85 Section Size Pump or Smaller (Clearance)
 For use with 6-Groove Clutch

NOTE: For Trucks Equipped w/ Lane Departure
NOTE: Trucks Equipped w/ OEM Dual Alternators,
the Secondary Alternator Will be Removed

Belt Routings (w/o OEM Dual Alternators)

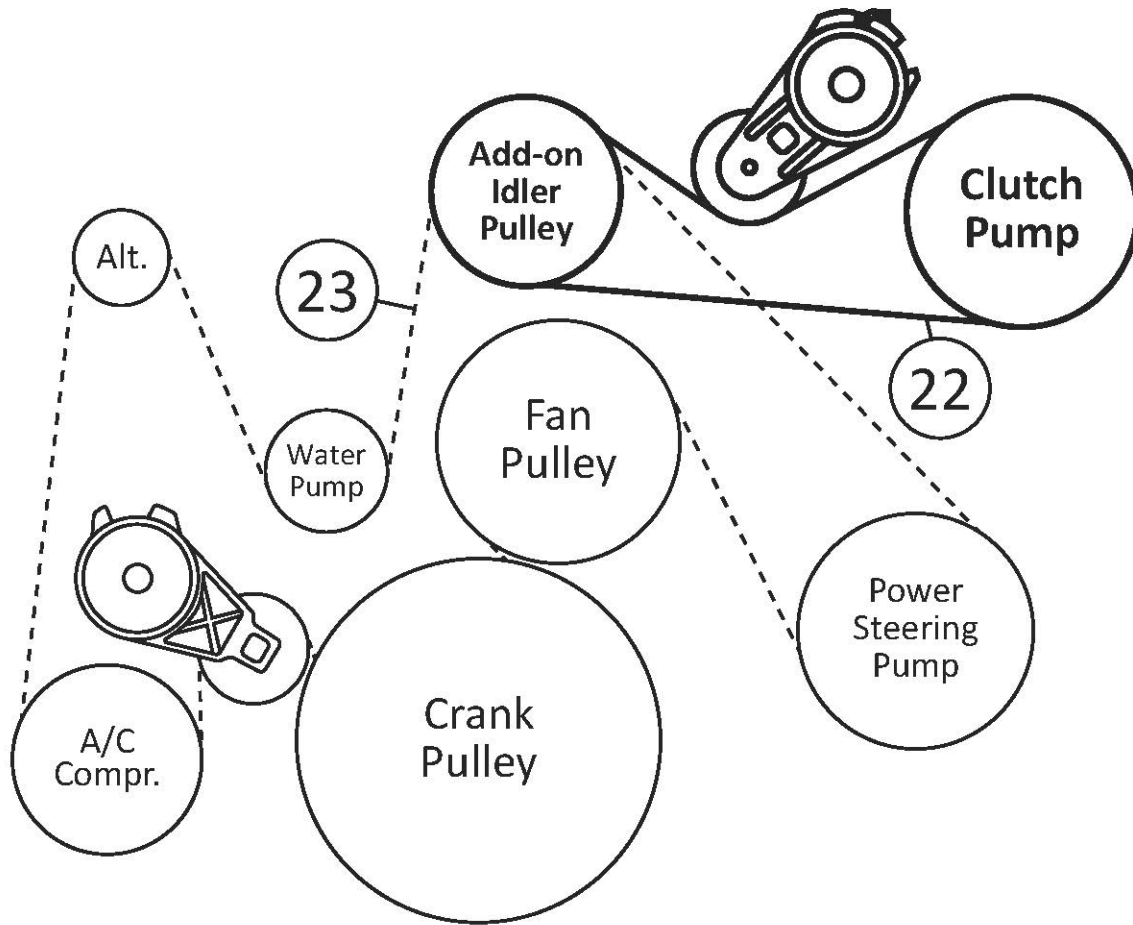


PARTS LIST			
Item	Part Number	Description	Qty.
Belt			
22	5060450	Dayco 6-Groove, 45.0" Belt (6" Clutch)	1
	5060440	Dayco 6-Groove, 44.0" Belt (5.5" Clutch)	1

Must use Parker P16 Series SAE Two-Bolt 'A' Flange Pump; Must be Side Ported
 Must use P16-85 Section Size Pump or Smaller (Clearance)
 For use with 6-Groove Clutch

NOTE: For Trucks Equipped w/ Lane Departure
NOTE: Trucks Equipped w/ OEM Dual Alternators,
the Secondary Alternator Will be Removed

Belt Routings (w/ OEM Dual Alternators)



PARTS LIST			
Item	Part Number	Description	Qty.
Belt			
22	5060450	Dayco 6-Groove, 45.0" Belt (6" Clutch)	1
	5060440	Dayco 6-Groove, 44.0" Belt (5.5" Clutch)	1
23	5081254	Dayco 8-Groove, 125.4" Belt	1

CW **CW Mill Equipment Co., Inc.**
14 Commerce Drive Sabetha, KS 66534
Phone: (785) 284-3454
Fax: (785) 284-3601
Email: brackets@cwmill.com
MOUNTING KITS Website: www.cwkits.com

RMK61A-6

2019-2024 RAM 2500-5500
6.7L I6 Cummins Diesel w/ A/C, w/o OEM Dual Alternators

Must use Parker P16 Series SAE Two-Bolt 'A' Flange Pump; Must be Side Ported
Must use P16-85 Section Size Pump or Smaller (Clearance)
For use with 6-Groove Clutch

NOTE: For Trucks Equipped w/ Lane Departure
NOTE: Trucks Equipped w/ OEM Dual Alternators,
the Secondary Alternator Will be Removed

Power Steering Pump Fitting



Power Steering Fitting (17) (For Lane Departure Trucks)



CW Mill Equipment Co., Inc.
 14 Commerce Drive Sabetha, KS 66534
 Phone: (785) 284-3454
 Fax: (785) 284-3601
 Email: brackets@cwmill.com
 Website: www.cwkits.com

RMK61A-6

2019-2024 RAM 2500-5500
 6.7L I6 Cummins Diesel w/ A/C, w/o OEM Dual Alternators

Must use Parker P16 Series SAE Two-Bolt 'A' Flange Pump; Must be Side Ported
 Must use P16-85 Section Size Pump or Smaller (Clearance)
 For use with 6-Groove Clutch

NOTE: For Trucks Equipped w/ Lane Departure
NOTE: Trucks Equipped w/ OEM Dual Alternators,
the Secondary Alternator Will be Removed

INSTALLER'S NOTES / DISCLAIMER

CW Mill Equipment Co., Inc. Mounting Kit and Mounting Kit Component Disclaimer: (1.) Due to the custom nature and variation of all add-on systems of this type, no complete system kits are offered by the manufacturer, and any group of parts marketed as a kit is limited to only the individually defined parts in that specific kit. The system designer's rotating accessory components are not included, offered, or fully known by the manufacturer. In addition to the absence of the rotating accessory system, other potential components such as additional clamps, brackets, wear liners, hardware, or other items that may be required by the system designer must be identified and supplied by the actual system designer. (2.) Due to vehicle manufacturer's assembly tolerances, production changes, and installation variances, it is the buyer's responsibility to ensure adequate clearance for all components including space for and safe location of the fan, radiator, all lines, and wires. Check for possible movement, vibration, friction points, heat exposure and/or shifting of any and all components such as hoses, wires, and all other components including those that may otherwise be considered non-moving and/or unaffected by the installation (3.) The buyer is responsible for the entire installation of a mounting kit as the mounting kit is part of a custom process controlled by the buyer through their whole system design and directed installer as the installer evaluates, locates, routes, aligns, and tightens all components while determining if additional clamps, brackets, wear-liners, or other components may be required, beyond those included in the kit. Any additional items required, beyond those included in the kit, are to be provided at the expense of the buyer. (4.) The buyer is responsible for the development and communication of their whole system installation procedures, safety precautions, application, and use of the engine accessory mounting kit in their system, including efforts to maintain vehicle control and prevent pinch, wear, impact, and/or burn exposure on all hoses, wires, and other parts. (5.) The buyer is responsible for providing trained and experienced installation decision making with technical know-how to apply professional judgment that specifically applies to each individual installation. The buyers chosen installers must be qualified and experienced technicians that are familiar with the vehicle and accessory being mounted as well as the buyer's whole system design and installation procedures associated with the kit. (6.) The buyer is responsible for determining and achieving compliance to all regulatory issues that apply to the use of all products. (7.) The manufacturer reserves the right to make changes and/or improvements to any product at any time with or without notice.