



CW MILL EQUIPMENT CO., INC.
P.O. Box 246 • Sabetha, Kansas 66534
(785) 284-3454 • FAX (785) 284-3601

VFLMK2392V-6

2007-2018 Mercedes

2007-2018 Freightliner

2007-~~2009~~ Dodge

.....~~2500~~-3500 Sprinter

3.0L V-6 Diesel / For use w-wo AC /

Requires 6 Groove Pulley

INSTALLATION NOTES

1. Remove air cleaner assembly. Remove the fan and fan shroud. Remove harmonic balancer bolt using wrench (pn. VFL23WR-1 sold separately)(bolt has right hand threads).
2. Install pulley adapter (1) using bolt (3), O.E.M. spacer, and set screws (4). Torque harmonic balancer bolt to 280 ft/lbs using wrench (pn. VFL23WR-2 sold separately). Cross-torque set screws at 10 in/lbs., 30 in/lbs., 60 in/lbs., 90 in/lbs., 120 in/lbs. A mild grade of Loctite is recommended on the set screws. Install drive pulley (2) with bolts (5) to pulley adapter (1). Install main bracket (6) with studs (9) and flange nuts (16) in upper hole locations. After tightening check the gap at the bottom holes with a feelers gauge. Remove nuts from upper locations and remove bracket. Install appropriate shims (22,23) to take up the gap at lower mounting locations. Reinstall bracket (6) along with brace (15) using studs (9) and nuts (16) in all four locations. Install front brace (7) using bolts (11,12), lock washer (10), and spacer (8). Install belt tensioner (13) using bolt (14).
3. Install alternator (19) using bolts (17) and slide bushings (18). Install new drive belt (20). Install fan spacer (21), fan, and fan shroud. Fan shroud will need to be trimmed for clearance with the drive belt and tensioner. Run the engine and check for proper belt tracking and clearances.

VFLMK2392V-6

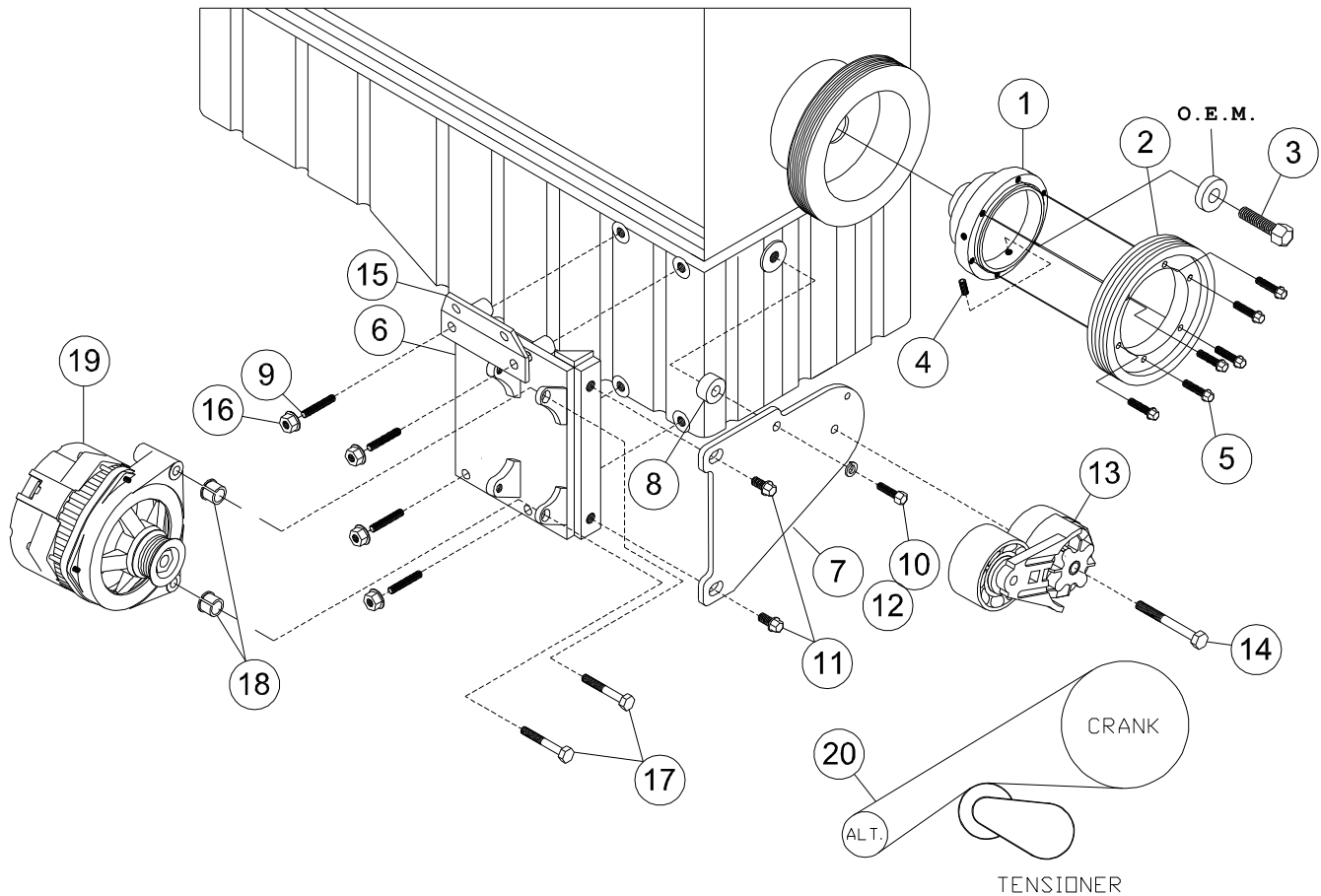
2007- 2018 Mercedes

2007-2018 Freightliner

2007-2009 Dodge

2500-3500 Sprinter

3.0L V-6 Diesel / For use w-wo AC / Requires 6 Groove Pulley



PARTS LIST

- | | |
|----------------------------------|----------------------------------|
| 1. VFLPA 23 (1) | 13. 89200C Tensioner (1) |
| 2. VFLPC 236 (1) | 14. 10mm x 75mm Bolt (1) |
| 3. 18mm x 110mm x 1.5 Bolt (1) | 15. VFLMB232 (1) |
| 4. 8mm x 20mm set screw (3) | 16. 8mm Flange Nut (4) |
| 5. 8mm x 30mm Flange Bolt (6) | 17. 10mm x 75mm Bolt (2) |
| 6. VFLMP2392V (1) | 18. 1255-0090 Slide Bushing (2) |
| 7. VFLMB23192V (1) | 19. Alternator (Sold Separately) |
| 8. SP125-.500 (1) | 20. 5060460 Dayco Belt (1) |
| 9. 8mm x 80mm Studs (4) | 21. FSK 38 Fan Spacer (1) |
| 10. 8mm LW (1) | 22. .005" Shim (2) |
| 11. 10mm x 20mm Flanged Bolt (2) | 23. .010" Shim (2) |
| 12. 8mm x 35mm (1) | |