



CW MILL EQUIPMENT CO., INC.
P.O. Box 246 • Sabetha, Kansas 66534
(785) 284-3454 • FAX (785) 284-3601

VFLMK23L3S-6

2007-2018 Freightliner
2007-2018 Mercedes
2007-2009 Dodge
2500-3500 Sprinter
3.0L V-6 Diesel / For use w-wo AC /
Requires 6 Groove Pulley

INSTALLATION NOTES

1. Remove air cleaner assembly. Remove the fan and fan shroud. Remove harmonic balancer bolt using wrench (pn. VFL23WR-1 sold separately)(bolt has right hand threads).
2. Install pulley adapter (1) using bolt (3), O.E.M. spacer, and set screws (4). Torque harmonic balancer bolt to 280 ft/lbs using wrench (pn. VFL23WR-2 sold separately). Cross torque set screws at 10 in/lbs., 30 in/lbs., 60 in/lbs., 90 in/lbs., 120 in/lbs. Mild-grade of Loctite is advisable to use. Install drive pulley (2) with bolts (5) to pulley adapter (1). Install studs (9) with red locktight and torque to 5 ft.lbs.. Install main bracket (6) with nuts (16) at locations "A" and "B". Check for gap at locations "C" and "D" with feelers gauge. Remove bracket (6) and install appropriate shims (22,23,24) on studs at locations "C" and "D". Remove the two lower bolts from the O.E.M. alternator. Reinstall main bracket (6) and then brace (15) using nuts (16) and lockwashers (10). Do not tighten. Install the two lower alternator bolt back into alternator through the brace (15). Torque bolts to 20 ft.lbs.. Install front brace (7) using bolts (11,12), lockwasher (10), and spacer (8). Install belt tensioner (13) using bolt (14) and flat washer (26).
3. Install alternator using bolts (18,19), lockwashers (20,21) and slide (17). Install new drive belt (25). Install fan spacer (27), fan, and fan shroud. Fan shroud will need to be trimmed for clearance with the drive belt and tensioner. Run the engine and check for proper belt tracking and clearances.

VFLMK23L3S-6

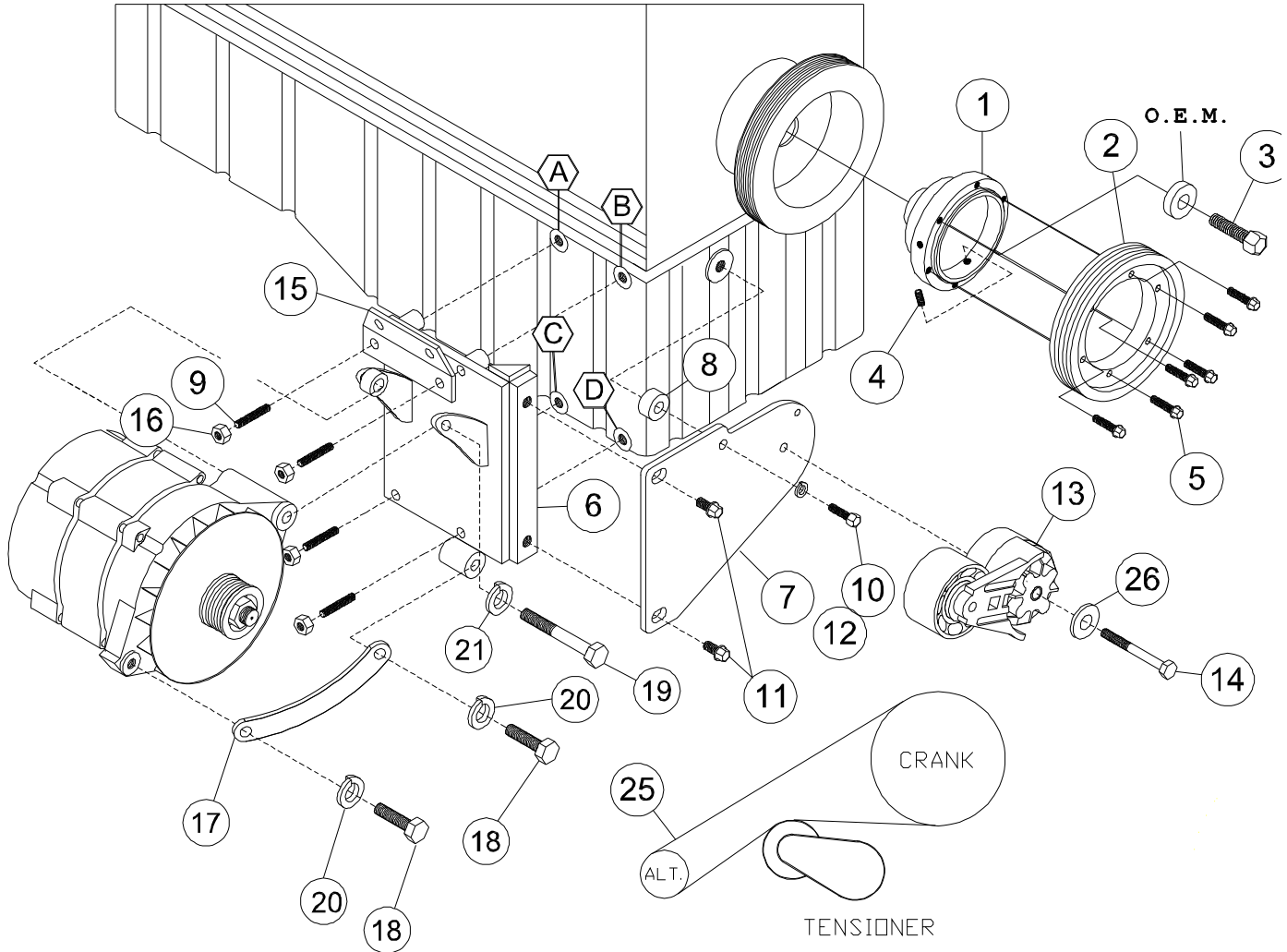
2007-2018 Freightliner

2007-2018 Mercedes

2007-2009 Dodge

2500-3500 Sprinter

3.0L V-6 Diesel / For use w-wo AC / Requires 6 Groove Pulley



PARTS LIST

- | | | |
|--------------------------------|----------------------------------|---------------------------|
| 1. VFLPA 23 (1) | 10. 8mm Lockwasher (1) | 19. 7/16 x 4 1/2 Bolt (1) |
| 2. VFLPC 236-7.5 (1) | 11. 10mm x 20mm Flanged Bolt (2) | 20. 3/8 Lockwasher (2) |
| 3. 18mm x 110mm x 1.5 Bolt (1) | 12. 8mm 35mm Bolt (1) | 21. 7/16 Lockwasher (1) |
| 4. 8mm x 20mm set screw (3) | 13. 89200C Tensioner (1) | 22. .005" Shim (2) |
| 5. 8mm x 30mm Flange Bolt (6) | 14. 10mm x 75mm Bolt (1) | 23. .010" Shim (2) |
| 6. VFLMP 23L3S (1) | 15. VFLMB232 (1) | 24. .020" Shim (2) |
| 7. VFLMB 231 (1) | 16. 8mm Flange Nut (4) | 25. K060478 Gates (1) |
| 8. SP125-.500 (1) | 17. L3SB3 (1) | 26. 3/8" Flat Washer (1) |
| 9. 8mm x 80mm Stud (4) | 18. 3/8 x 1 1/4 Bolt (2) | 27. FSK38 (1) |