



# KMK70TM21-I8

2024-2025 Kenworth T180-T280  
2024-2025 Peterbilt 535, 536, 537  
6.7L PACCAR PX-7 I6 Diesel, w/ A/C, w/o OEM Dual Alternators

Requires 8-Groove, 127mm Diameter Clutch  
For use w/ TM21 Direct Mount Compressor  
Approximately 160% Overdriven w/ 127mm Diameter Clutch

## INSTALLATION NOTES

---

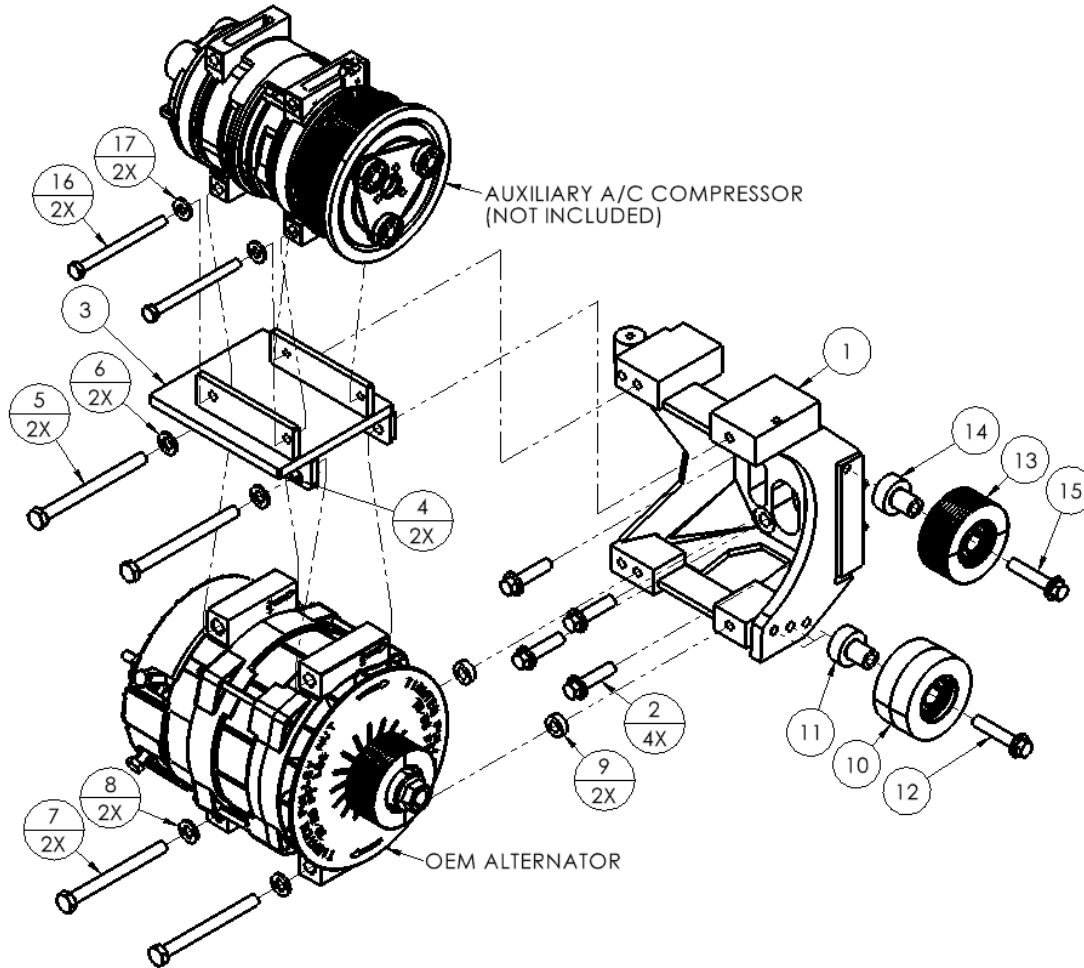
1. The buyer is responsible for providing trained and experienced installation decision making with technical know-how to apply professional judgment that specifically applies to each individual installation.
2. Be sure to read and understand all available information including but not limited to instructions, warnings, sale terms, and warranties for the vehicle and all system components prior to attempting installation.
3. Disconnect the negative battery cables from the batteries. Remove the passenger, inner fender. Remove the bolts from the air cleaner bracket that attach it to the alternator bracket. These bolts will be reused. Remove the OEM serpentine belt from the engine, it will not be reused. Remove the OEM alternator, alternator bracket, and engine lifting lug.
4. Install mounting bracket (1) onto the engine with hardware (2). Torque to 40-45 ft/lbs. Reinstall the OEM alternator onto mounting bracket (1) with hardware (7-9). Do not tighten at this time. Install auxiliary A/C compressor mounting bracket (3) over the top mounting holes of the OEM alternator with hardware (5-6). Do not tighten at this time. With all the bolts installed. Tighten them evenly. Then, torque to 35-40 ft/lbs. Install the OEM air cleaner bracket to main bracket (1) with OEM bolts. Torque to 25 ft/lbs.
5. Install the auxiliary A/C compressor with hardware (16-17) according to the manufacturer's specifications. Torque to 25 ft/lbs.
6. Install grooved idler pulley assembly (13-15) into the top hole on the front of main bracket (1). Torque to 35 ft/lbs. Install smooth idler pulley assembly (10-12) into the bottom, innermost hole on the front of main bracket (1). Torque to 35 ft/lbs.
7. Install belt (18) onto the engine. Route it as shown in the illustration. Smooth idler pulley assembly (10-12) can be moved to the next hole outward if the belt is too tight.
8. Reconnect the battery cables. Replace the passenger, inner fender. It may be necessary to reroute some wires or hoses depending on the truck's configuration.

**CAUTION:** Before starting the engine, check to make certain no wires, hoses, etc. that may have been disturbed during installation do not come in contact with any hot or moving parts. Properly refill any fluids that may have been drained. Check the engine for leaks. Run the engine and check for proper belt tracking and clearance of any hoses, wires, etc. It is the installer's responsibility to correct/adjust, if necessary, before the vehicle is put into service.

CW Mill Equipment Co., Inc. Mounting Kit and Mounting Kit Component Disclaimer: (1.) Due to the custom nature and variation of all add-on systems of this type, no complete system kits are offered by the manufacturer, and any group of parts marketed as a kit is limited to only the individually defined parts in that specific kit. The system designer's rotating accessory components are not included, offered, or fully known by the manufacturer. In addition to the absence of the rotating accessory system, other potential components such as additional clamps, brackets, wear liners, hardware, or other items that may be required by the system designer must be identified and supplied by the actual system designer. (2.) Due to vehicle manufacturer's assembly tolerances, production changes, and installation variances, it is the buyer's responsibility to ensure adequate clearance for all components including space for and safe location of the fan, radiator, all lines, and wires. Check for possible movement, vibration, friction points, heat exposure and/or shifting of any and all components such as hoses, wires, and all other components including those that may otherwise be considered non-moving and/or unaffected by the installation (3.) The buyer is responsible for the entire installation of a mounting kit as the mounting kit is part of a custom process controlled by the buyer through their whole system design and directed installer as the installer evaluates, locates, routes, aligns, and tightens all components while determining if additional clamps, brackets, wear-liners, or other components may be required, beyond those included in the kit. Any additional items required, beyond those included in the kit, are to be provided at the expense of the buyer. (4.) The buyer is responsible for the development and communication of their whole system installation procedures, safety precautions, application, and use of the engine accessory mounting kit in their system, including efforts to maintain vehicle control and prevent pinch, wear, impact, and/or burn exposure on all hoses, wires, and other parts. (5.) The buyer is responsible for providing trained and experienced installation decision making with technical know-how to apply professional judgment that specifically applies to each individual installation. The buyers chosen installers must be qualified and experienced technicians that are familiar with the vehicle and accessory being mounted as well as the buyer's whole system design and installation procedures associated with the kit. (6.) The buyer is responsible for determining and achieving compliance to all regulatory issues that apply to the use of all products. (7.) The manufacturer reserves the right to make changes and/or improvements to any product at any time with or without notice.

Requires 8-Groove, 127mm Diameter Clutch  
 For use w/ TM21 Direct Mount Compressor  
 Approximately 160% Overdriven w/ 127mm Diameter Clutch

## Parts List



PARTS LIST							
Item	Part Number	Description	Qty.	Item	Part Number	Description	Qty.
<b>Alternator Mounting Bracket</b>				<b>Smooth Idler Pulley Assembly</b>			
1	KMB701	Mounting Bracket	1	10	IPCD3.0	Machined Smooth Idler Pulley	1
<b>Alternator Mounting Bracket Mounting Hardware</b>				<b>Grooved Idler Pulley Assembly</b>			
2	1006933	M10-1.5 x 40mm 10.9Gr Hex Flg. Bolt	4	11	IMB605	Machined Idler Bushing	1
<b>Auxiliary A/C Compressor Mounting Bracket</b>				<b>Auxiliary A/C Compressor Mounting Hardware</b>			
3	KMP70TM21-I8	Auxiliary A/C Compressor Mounting Bracket	1	12	1006934	M10-1.5 x 50mm 10.9Gr Hex Flg. Bolt	1
4	1011888A	M14 Slide Bushing (Installed)	2	13	GPCD-8	Machined Grooved Idler Pulley	1
<b>Alternator Mounting Hardware</b>				<b>Auxiliary A/C Compressor Mounting Hardware</b>			
5	1005136	M10-1.5 x 120mm 10.9Gr Hex Bolt	2	14	IMB605	Machined Idler Bushing	1
6	1003748	M10 Flat Washer	2	15	1006934	M10-1.5 x 50mm 10.9Gr Hex Flg. Bolt	1
7	1005539	M10-1.5 x 110mm 10.9Gr Hex Bolt	2	16	1011957	M8-1.25 x 100mm 10.9Gr Hex Bolt	2
8	1003748	M10 Flat Washer	2	17	1010202	M8 Flat Washer	2
9	SP64-0.25	3/4" OD x 13/32 ID x 1/4" Length Spacer	2				

# KMK70TM21-I8

2024-2025 Kenworth T180-T280

2024-2025 Peterbilt 535, 536, 537

6.7L PACCAR PX-7 I6 Diesel, w/ A/C, w/o OEM Dual Alternators

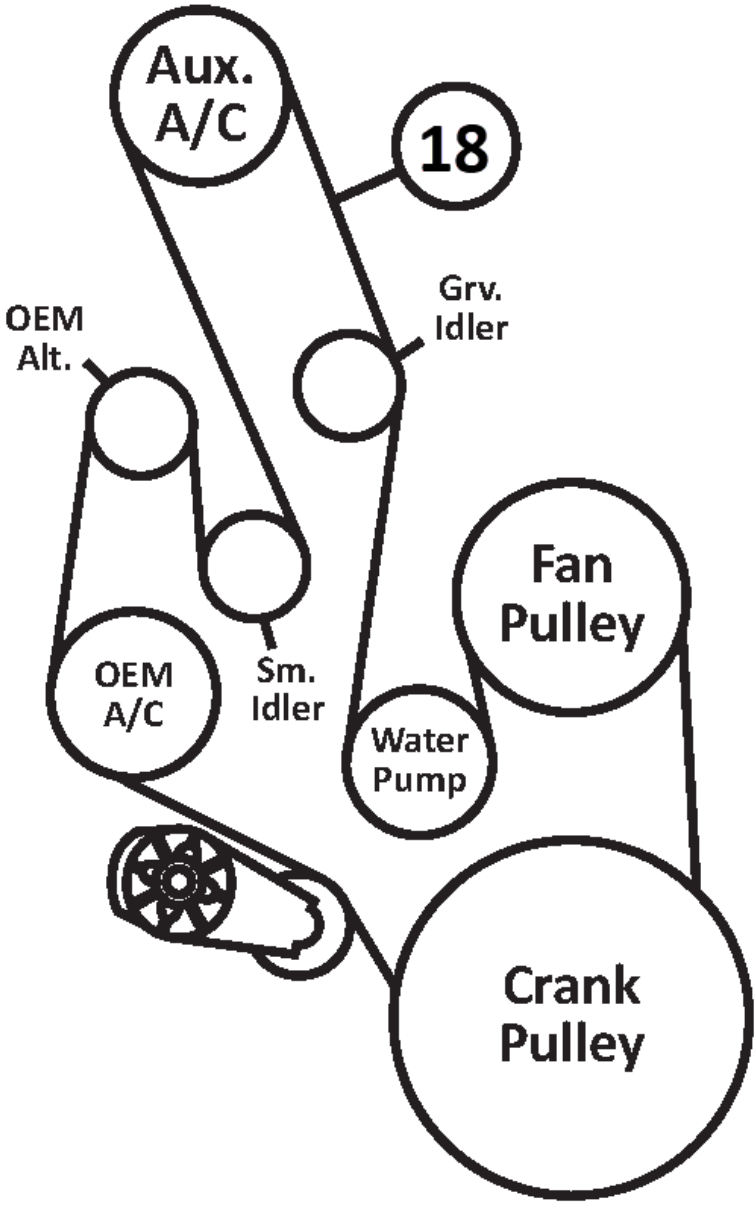
Requires 8-Groove, 127mm Diameter Clutch

For use w/ TM21 Direct Mount Compressor

Approximately 160% Overdriven w/ 127mm Diameter Clutch

**CW** **CW Mill Equipment Co., Inc.**  
14 Commerce Drive Sabetha, KS 66534  
Phone: (785) 284-3454  
Fax: (785) 284-3601  
Email: brackets@cwmill.com  
**MOUNTING KITS** Website: [www.cwkits.com](http://www.cwkits.com)

## Belt Routing



PARTS LIST			
Item	Part Number	Description	Qty.
Belt (Only One Belt Supplied)			
18	K081243	Gates 8-Groove, 124.3" Belt	1

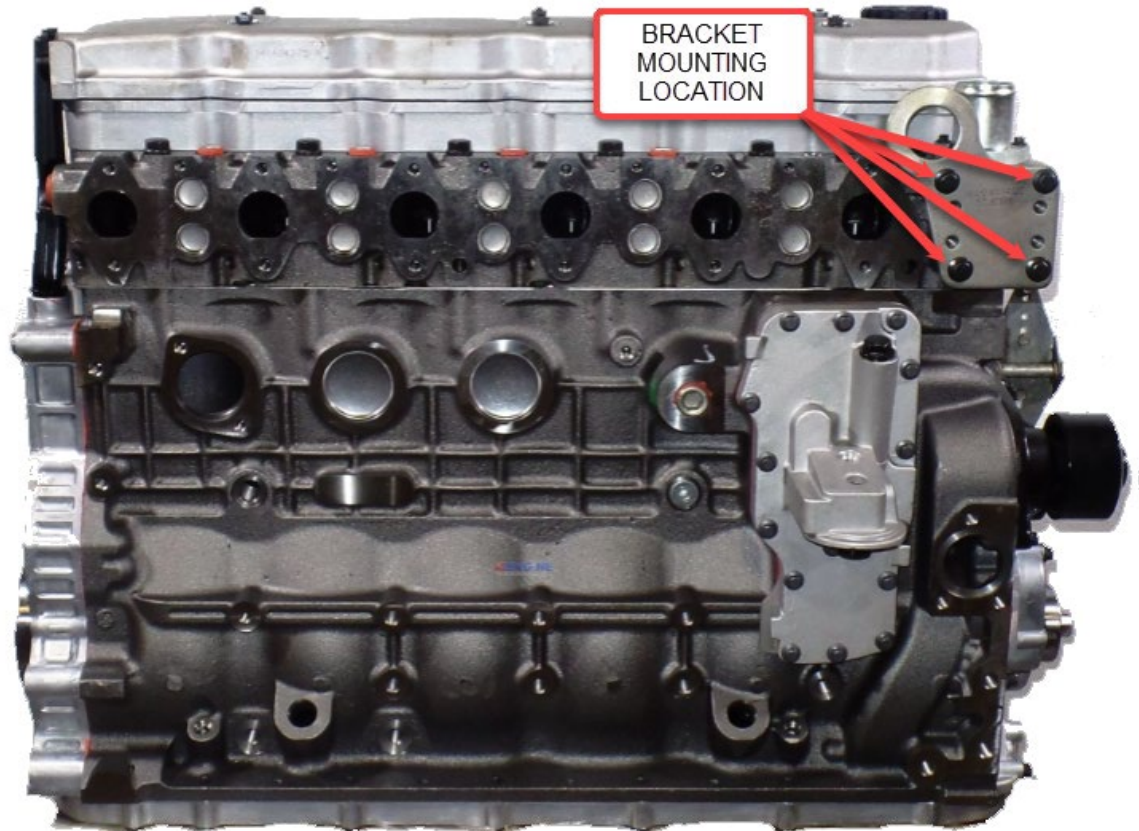
**CW** **CW Mill Equipment Co., Inc.**  
14 Commerce Drive Sabetha, KS 66534  
Phone: (785) 284-3454  
Fax: (785) 284-3601  
Email: brackets@cwmill.com  
**MOUNTING KITS** Website: [www.cwkits.com](http://www.cwkits.com)

# KMK70TM21-I8

2024-2025 Kenworth T180-T280  
2024-2025 Peterbilt 535, 536, 537  
6.7L PACCAR PX-7 I6 Diesel, w/ A/C, w/o OEM Dual Alternators

Requires 8-Groove, 127mm Diameter Clutch  
For use w/ TM21 Direct Mount Compressor  
Approximately 160% Overdriven w/ 127mm Diameter Clutch

## Mounting Locations



Mounting Locations