



CW MILL EQUIPMENT CO., INC.
P.O. Box 246 • Sabetha, Kansas 66534
(785) 284-3454 • FAX (785) 284-3601

FLMK 92-8
2004-09 Sterling Acctera
3126, C7 CAT Diesel
W-W/O AC, W-W/O Air Brakes

INSTALLATION NOTES

1. Remove the eight bolts holding the damper onto the crankshaft. Install pulley (1) between the damper and the O.E.M. pulley using bolts (3) and lockwashers (2). Torque bolts to 40 ft.lbs..
2. Install pump bracket (4) with bolts (5) and lockwashers (2) onto the engine as shown in the illustration. If vehicle is equipped with air brakes, fitting (12) must be used to reroute the pop-off valve for hose clearance.
3. Install the pump onto bracket (4) with bolts provided in the kit. Align it with the drive pulley then tighten bolts securely. Install tensioner (6) with bolt (7). Install belt (11) according to belt diagram. Check for proper belt tensioning and clearances to any moving parts. Run engine and check for proper tracking of the belt, adjust if necessary.

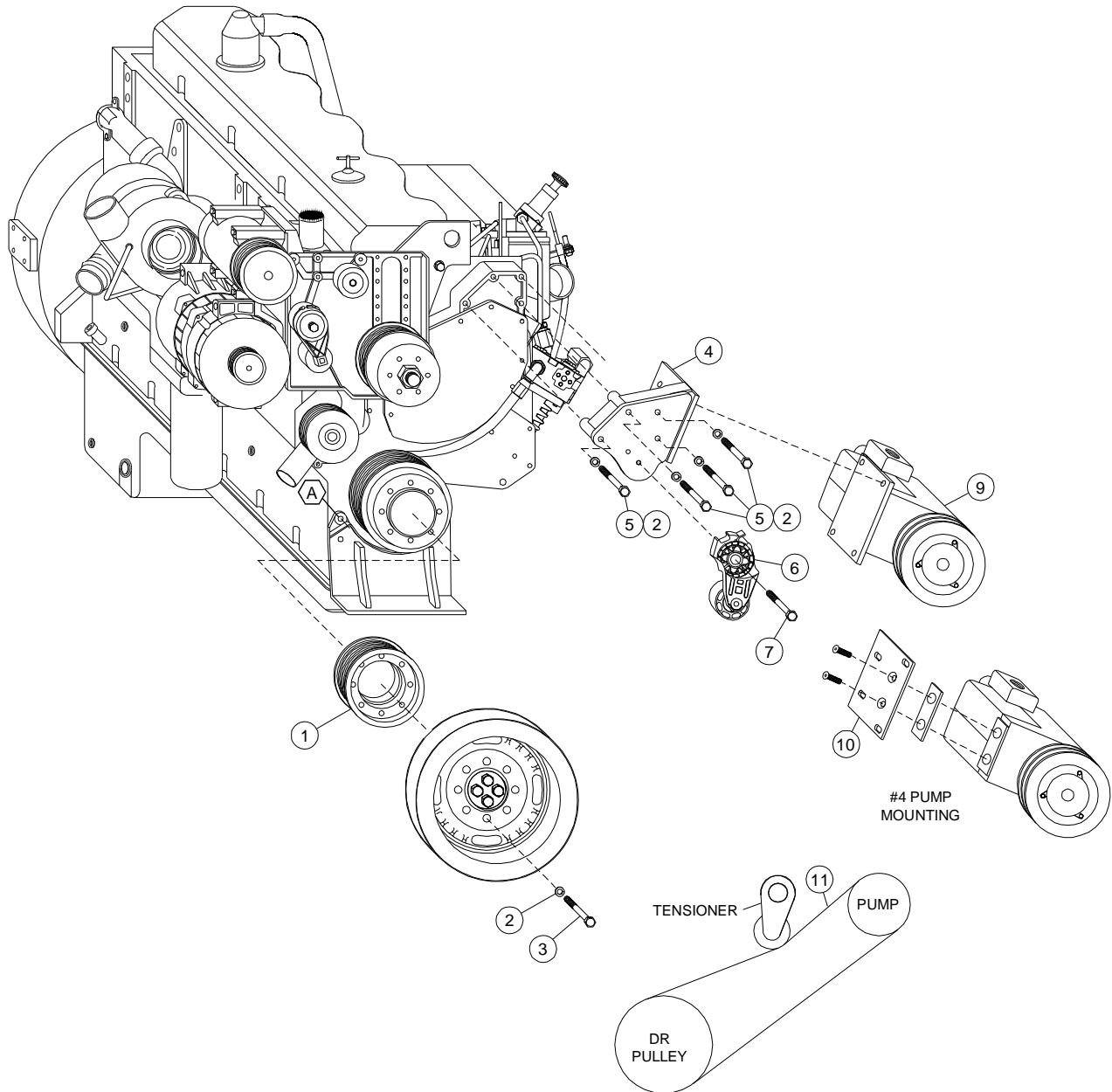
FLMK 92-8

2004-09 Sterling Acctera

3126, C7 CAT Diesel

W-W/O AC

W-W/O Air Brakes



BELT DIAGRAM

PARTSLIST

- | | |
|-------------------------|--|
| 1. FPC 938 (1) | 7. 10mm x 75mm (1) |
| 2. 10mm LW (15) | 8. 10mm x 25mm (2) |
| 3. 10mm x 65mm (8) | 9. Clutch pump (Sold Separately) |
| 4. FLMB 901 (1) | 10. IMP 634 (use w/#4 only) |
| 5. 10mm x 80mm (4) | 11. 5080630 Dayco |
| 6. Tensioner 89200B (1) | 12. 5500-8 Elbow Thompkins (not shown) |